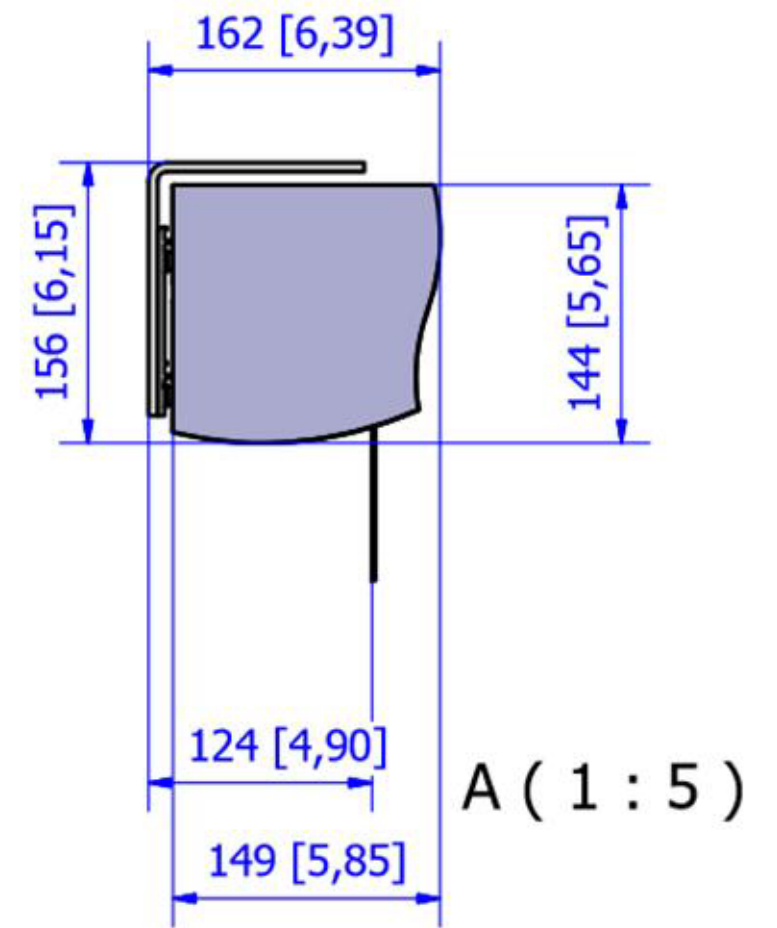
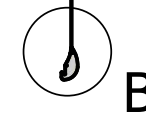


A



A (1:5)

← VIEWING SIDE



B



B (1:4)

**SCREENLINE**  
the screen makes the difference

Please notice that all dimensions are subject to conventional industry tolerances.

Default colors of some screen parts:  
- white case, white counterweight, white end cups

Dimensions are in mm [inches]		PRODUCT CODE: WT170DXX / WY170DXX			
MODEL: WAVE / WAVE PLUS TENS 16:9 VIEWING AREA 170x96 [38x67] HEADER 50 [19,69]		Shipping dimensions: weight 20 kg weight 44 lbs dimension 221x23x23 cm dimension 87x9x9 inch		Net weight: 19 kg 42 lbs	
SIZE:	A3	Rev.01	SCALE:	1:12	SHEET: 1 / 1