



Wave

Design motorized screen

SCREENLINE



16:9

16:10

4:3

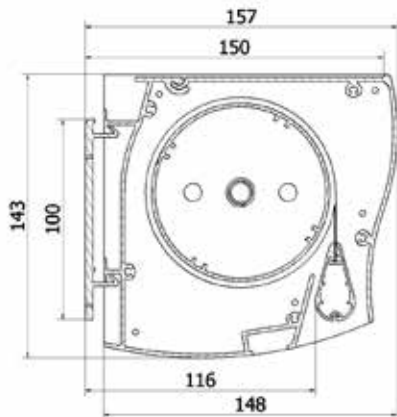
Wave

Motorized screen with an elegant, harmonious design, Wave becomes part of the furniture. The shape of the box makes it easy to install it perfectly aligned to walls and corners. The top becomes a shelf for the audio equipment and the back features a groove to conceal the cables.

The fabric rolls down smoothly and perfectly flat, allowing the installation of a tv set or of pictures behind it since it is 11 cm away from the wall.



- prearranged groove for audio cables



SCREEN CHARACTERISTICS

- 90° rear angle for better ceiling installation
- hidden fixing brackets
- supporting surface for L-C-R loudspeakers
- RGB LED back lighting compatible with all home automation control systems (on request)
- front fall in order to improve flatness
- motor on the right side provided with automatic up end limit
- custom features
- particularly silent motor available on request up to a base of 300 cm.

SURFACE OPTIONS

- White Ice
- Home Vision
- Microperforated
- Grey High Contrast
- Coral rear-projection



16:9

16:10

4:3

Wave tensioned

Wave is also available in the tensioned version. The projection surface is provided with a lateral tensioning system which grants excellent flatness even after years of intense use.

The design and the characteristics of the screen remain the same as standard Wave.



• supporting surface for L-C-R loudspeakers

• White tensioning on request.

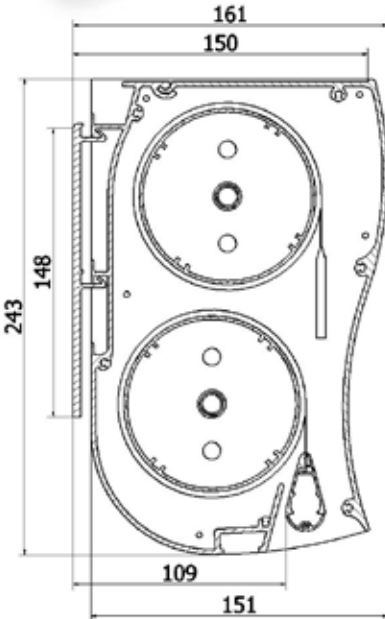


2 motors
2 surfaces
2 formats
2 screens

Wave biformat

- 16:9
- 16:10
- 21:9

Designed for the most demanding, Wave biformat offers 2 screens in 1. The box contains 2 motors vertically arranged with 2 different fabrics which work independently. This feature offers therefore multiple combinations. It is possible to install two fabrics with different video formats, e.g., 21:9 and 16:9, or, if placed in front of a window, an obscuring fabric and a projection one. With two counterposed fabrics, it is possible to project on both sides or on a front-projection fabric and on a rear-projection one. In a conference hall it might be useful to have one of the fabrics reproducing the logo of the hotel or the congress centre in digital print plus a projection fabric to be rolled down only when needed.



SCREEN CHARACTERISTICS

- double, independent motorization
- possibility to interface with home automation systems
- see all the other characteristics of standard Wave

SURFACE OPTIONS

- White Ice
- Home Vision
- Microperforated
- Grey High Contrast
- Coral rear-projection

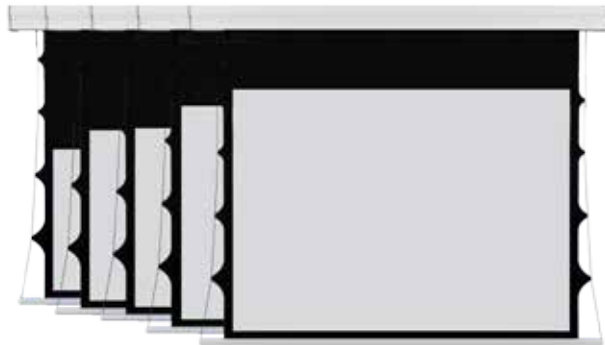


• Biformat example: 21:9 – 16:9 screens



- 1 black adjustable surface
- 1 projection surface
- 2 motors
- 5 formats

- 21:9
- 1.85:1
- 16:9
- 16:10
- 4:3



somfy



- dedicated electronic control unit
- versatile radio-frequency remote control for other household uses such as curtains, rolling shutters and motorized systems in general

Wave multiformat

Wave multiformat is the best performing motorized screen of the range. The box contains 2 motors vertically arranged which minimize the distance between the two fabrics, one black and the other for projecting. The two fabrics interact and create up to 8 format combinations.

The new motors with in-built encoder and dedicated electronic control unit independently operate the movements of the two fabrics. They are activated by the radio-frequency remote control supplied or by any home automation system available on the market.

By programming the control unit it is possible to raise and lower the screen and adjust the formats as needed with 5 mm precision.

SCREEN CHARACTERISTICS

- double motorization with in-built encoders
- up to eight customized formats, five of which are pre-set
- interfaceable with home-automation systems via RS485 port
- infrared and radio-frequency remote control supplied
- see all the other characteristics of standard Wave

SURFACE OPTIONS

- White Ice
- Home Vision
- Microperforated
- Grey High Contrast

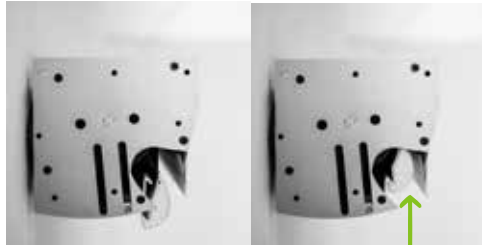
Extra Drop

Wave can be ordered with an Extra Drop. This further extension of the black drop solves the problem when installing on high ceilings where we want to hide the box and in general in order to reach the correct level of viewing area. Customizable height of the drop from 30 up to 160 cm.

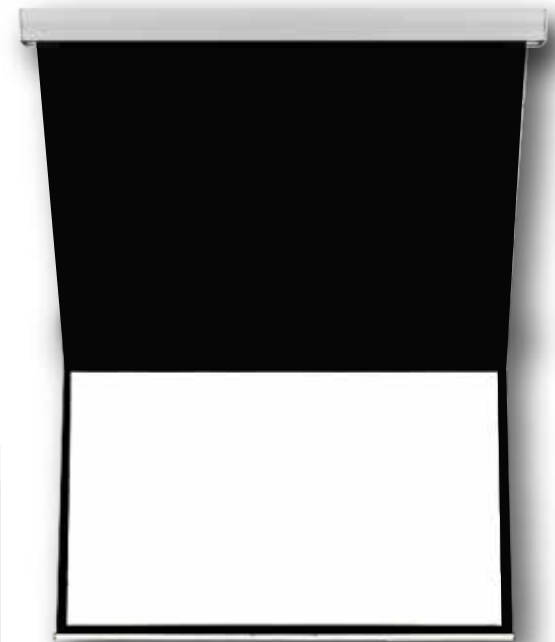
Plus

Both Wave and Wave tensioned can be ordered in the Plus version:

- quieter Elero motor
- remarkable reduction of the noise when closing
- slow end of stroke movement
- fabric lengthening
- winding speed 23 revolutions per minute, 35% faster



- counterweight stop always when stuck in.



Led

All the screens of the Wave family can be customized with a LED RGB back-lighting system. The strip light is located in a downward groove which directs the luminous flux towards the wall behind the screen. Connected to a home automation system, the screen becomes a light source which complements the room according to the colour and the intensity chosen.

