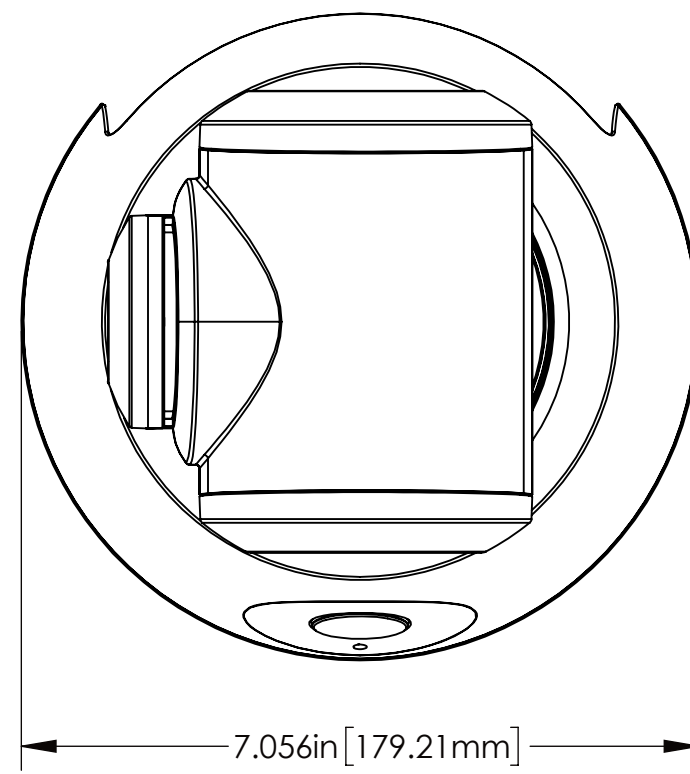
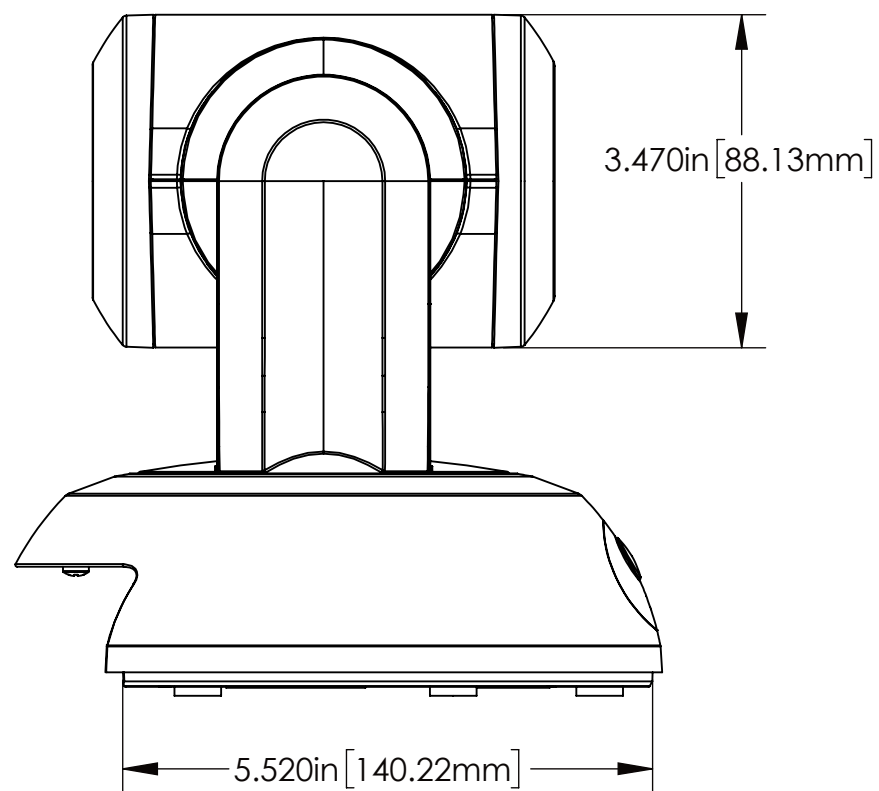


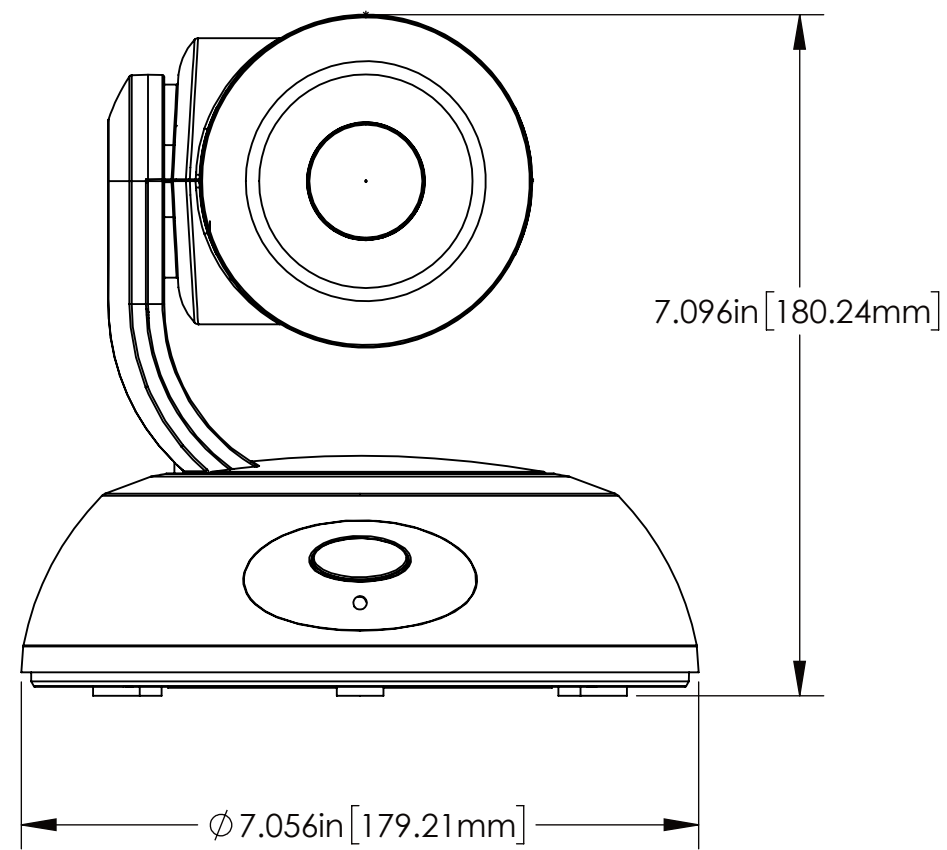
TOP VIEW



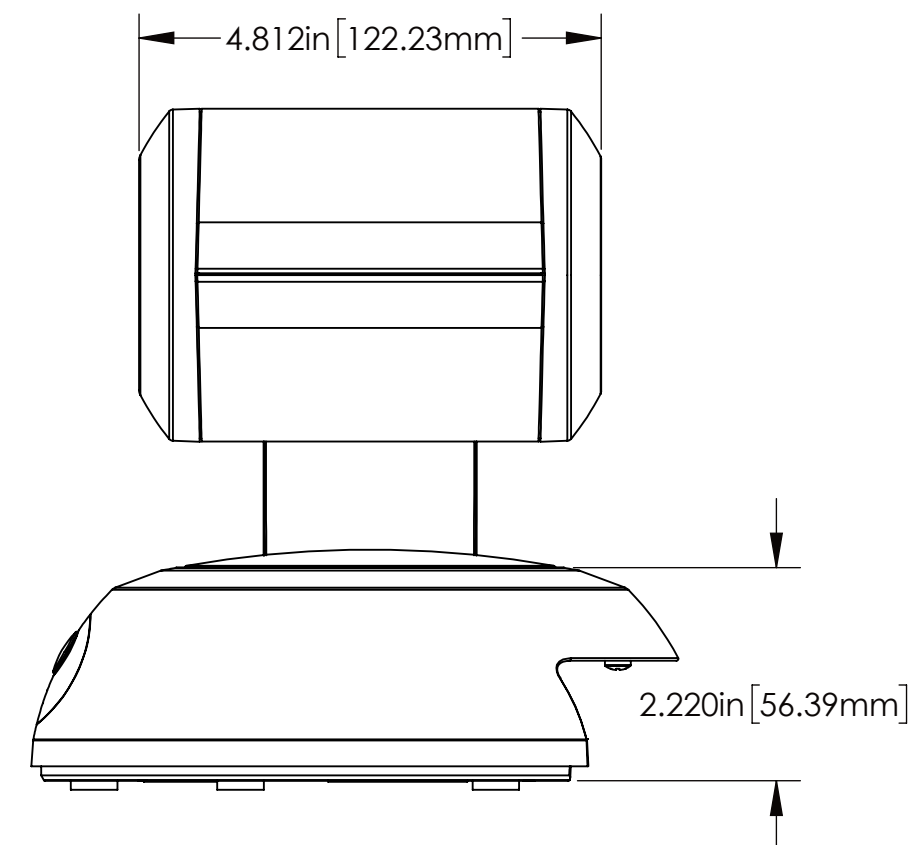
SIDE VIEW 1



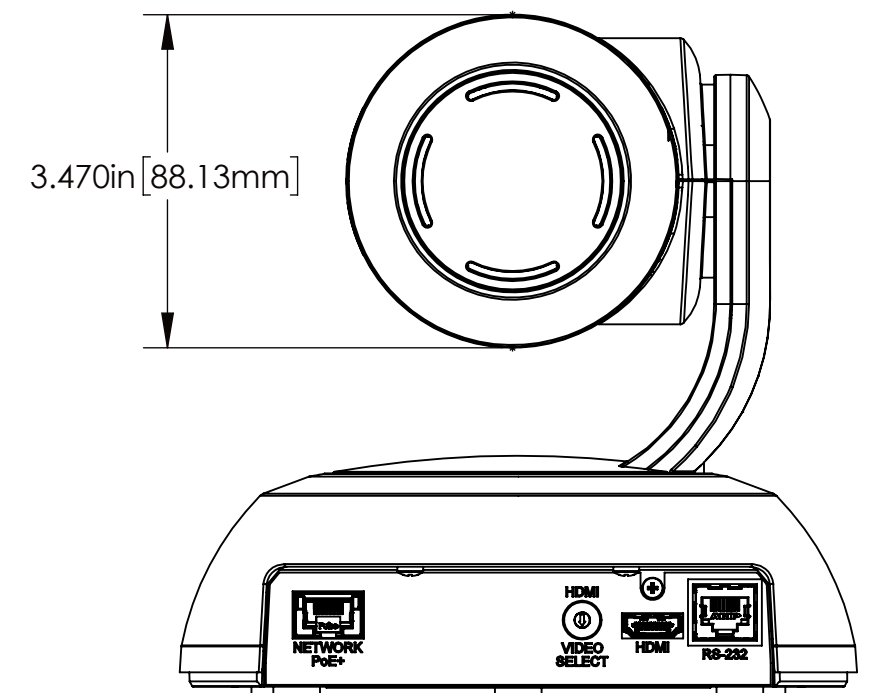
FRONT VIEW



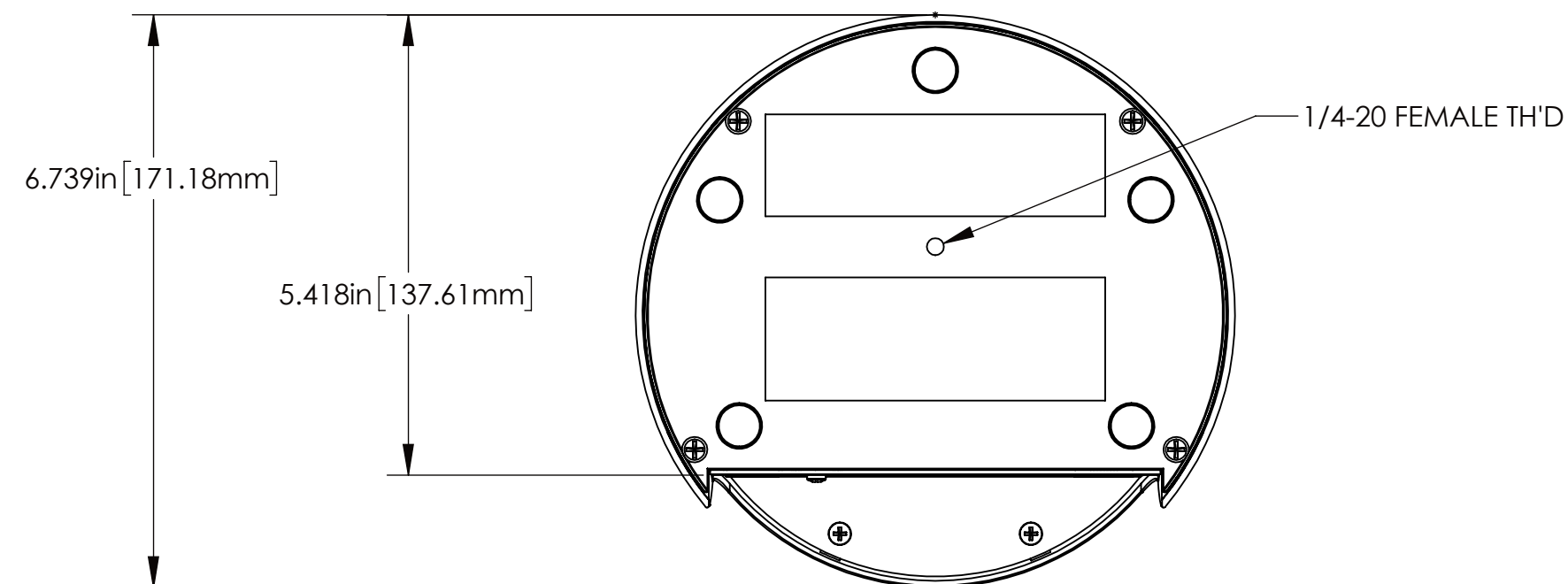
SIDE VIEW 2



REAR VIEW



BOTTOM VIEW



|  |  |  |         |               |         |
|--|--|--|---------|---------------|---------|
| UNLESS OTHERWISE NOTED:<br>DIMENSIONS ARE IN INCHES<br>DIMENSIONAL LIMITS APPLY<br>AFTER FINISH<br>MACHINED SURFACES 125<br>EDGES & FILLETS R .005/.015<br>FRACTIONS ± 1/32<br>ANGLES ± 1°<br>DEC. XX = ± .015<br>.XXX = ± .005<br>.XXXX = ± .0002 |  | THIS DRAWING, INCLUDING ALL SUBJECT MATTERS INDICATED THEREON OR DERIVED THEREFROM, COMPRISES PROPRIETARY INFORMATION AND IS THE EXPRESS PROPERTY OF LEGRAND AV INC. EMPLOYMENT, REPRODUCTION OR DISSEMINATION OF THIS DRAWING, IN WHOLE OR IN PART, WITHOUT WRITTEN PERMISSION OF LEGRAND AV INC IS STRICTLY FORBIDDEN. |         |               |         |
|  |  | DRAWN  | CHECKED | APPROVED      | DATE    |
|  |  | WLF  |         |               | 4/30/19 |
| MATERIAL   |  | SCALE  |         | REV.          |         |
| VARIOUS  |  | 1:2  |         | A             |         |
| FINISH   |  | SHEET  |         | DRAWING NO.   |         |
| NONE   |  | 1 OF 1   |         | 998-99400-000 |         |
| TITLE  |  | SHEET  |         | DRAWING NO.   |         |
| ROBOSHOT ELITE HDMI CAMERA   |  | 1 OF 1   |         | 998-99400-000 |         |