

# OneLINK Bridge

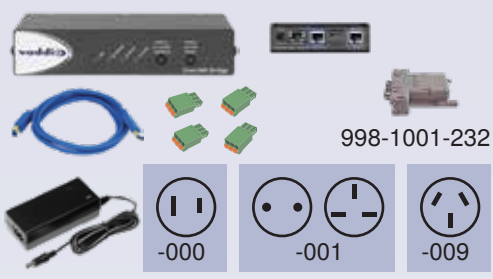
## AV Interface for HDMI Cameras

- 999-9620-000/001/009 OneLINK Bridge for Polycom Cameras with Polycom Codecs
- 999-9630-000/001/009 OneLINK Bridge for Sony and Panasonic Cameras
- 999-9640-000/001/009 OneLINK Bridge for RoboSHOT HDMI with Polycom Codecs
- 999-9660-000/001/009 OneLINK Bridge for Cisco Cameras with Cisco Codecs
- 999-9670-000/001/009 OneLINK Bridge for RoboSHOT HDMI with Cisco Codecs
- 999-9690-000/001/009 OneLINK Bridge for RoboSHOT HDMI Cameras



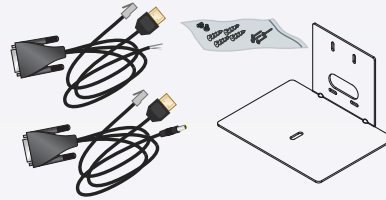
### What's in the box

Included in all kits:



998-1001-232

999-9620-000/001/009 Also includes:



999-9630-000/001/009 Also includes:



999-9640-000/001/009 Also includes:



999-9660-000/001/009 Also includes:



998-1002-232

999-9670-000/001/009 Also includes:

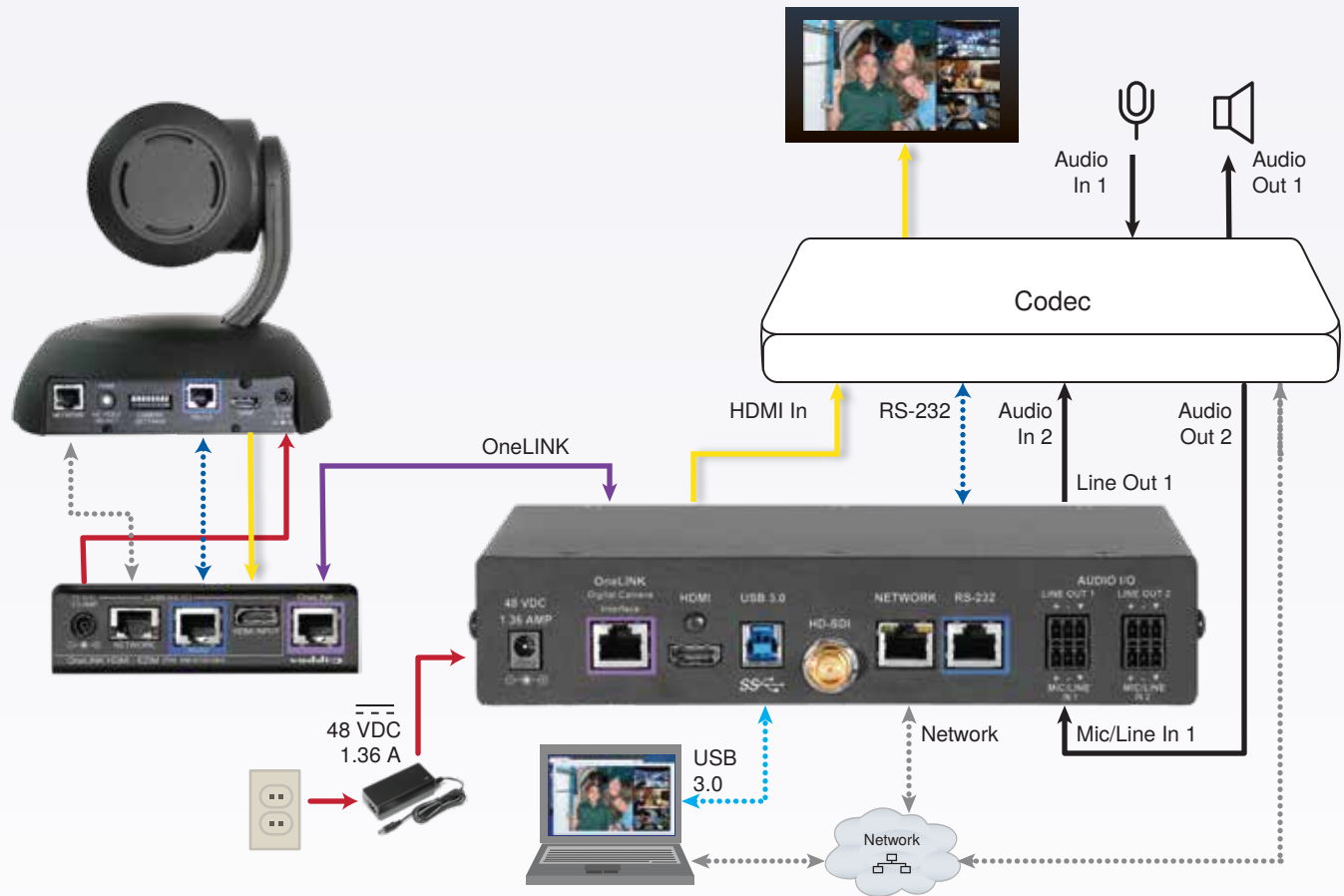
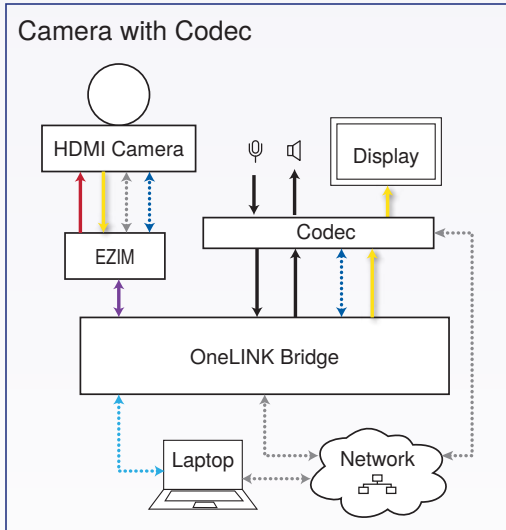
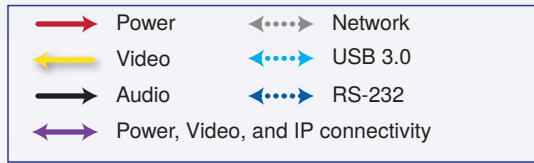
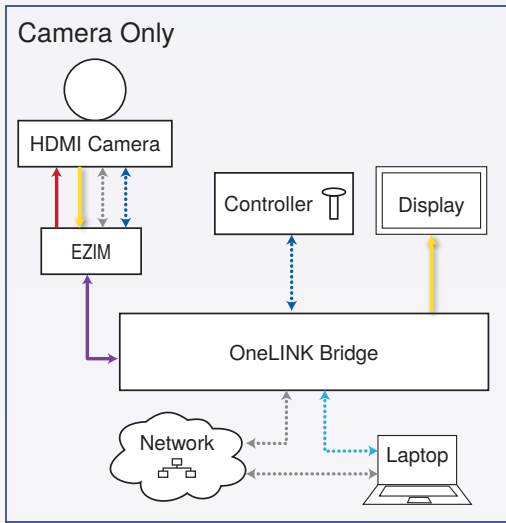


998-1002-232

999-9690-000/001/009 Also includes:



See the OneLINK Bridge Installation Guide or Integrator's Complete Guide for complete packing lists and kit-specific connection diagrams.



Document 411-0009-02 Rev D  
 July 2018

Vaddio is a brand of Milestone AV Technologies · [www.vaddio.com](http://www.vaddio.com) · Phone 800.572.2011 / +1.763.971.4400 · Fax +1.763.971.4464 · Email [info@vaddio.com](mailto:info@vaddio.com)  
 Visit us at [support.vaddio.com](http://support.vaddio.com) for firmware updates, specifications, drawings, manuals, technical support information, and more.  
 Vaddio and OneLINK are trademarks or registered trademarks of Milestone AV Technologies. The terms HDMI and HDMI High-Definition Multimedia Interface, and the HDMI logo, are trademarks or registered trademarks of HDMI Licensing LLC in the United States and other countries. All other brand names or marks are used for identification purposes and are trademarks of their respective owners.  
 In British Columbia, Milestone AV Technologies ULC carries on business as MAVT Milestone AV Technologies ULC.  
 ©2018 Milestone AV Technologies.

