

## Tech Spec

---

### QuickCAT Universal

*Suspended Ceiling Mount for PTZ Cameras*

**Mount:** 999-82000-000 (worldwide)

**Mount with OneLINK HDMI for Cisco Precision HD S1 and Precision 60 Cameras:** 999-82110-000 (North America), 999-82110-001 (Europe/UK), 999-82110-009 (Australia/New Zealand/China)

**Mount with OneLINK HDMI for Vaddio, Sony, and Panasonic Cameras:** 999-82120-000 (North America), 999-82120-001 (Europe/UK), 999-82120-009 (Australia/New Zealand/China)

**Mount with OneLINK Bridge for Cisco Precision HD S1 and Precision 60 Cameras:** 999-82210-000 (North America), 999-82210-001 (Europe/UK), 999-82210-009 (Australia/New Zealand/China)

**Mount with OneLINK Bridge for Vaddio, Sony, and Panasonic Cameras:** 999-82220-000 (North America), 999-82220-001 (Europe/UK), 999-82220-009 (Australia/New Zealand/China)



## Features

- Adjustable tile bridge can be leveled even if the ceiling tile grid is inconsistent
- Tile bridge can be concealed above the ceiling tile or installed flush with the tile
- Accommodates the camera interface module (EZIM) for a OneLINK device
- Q-Lock quick-release lever for simple camera attachment
- Key lock for security
- Full 360° rotation (yaw) adjustment during installation
- Tool-free adjustments for camera leveling
- 12 inches of vertical adjustment
- Compatible with common ceiling grid sizes:
  - 2 ft x 2 ft
  - 2 ft x 4 ft
  - 60 cm x 60 cm
  - 62.5 cm x 62.5 cm

## Compatible Products

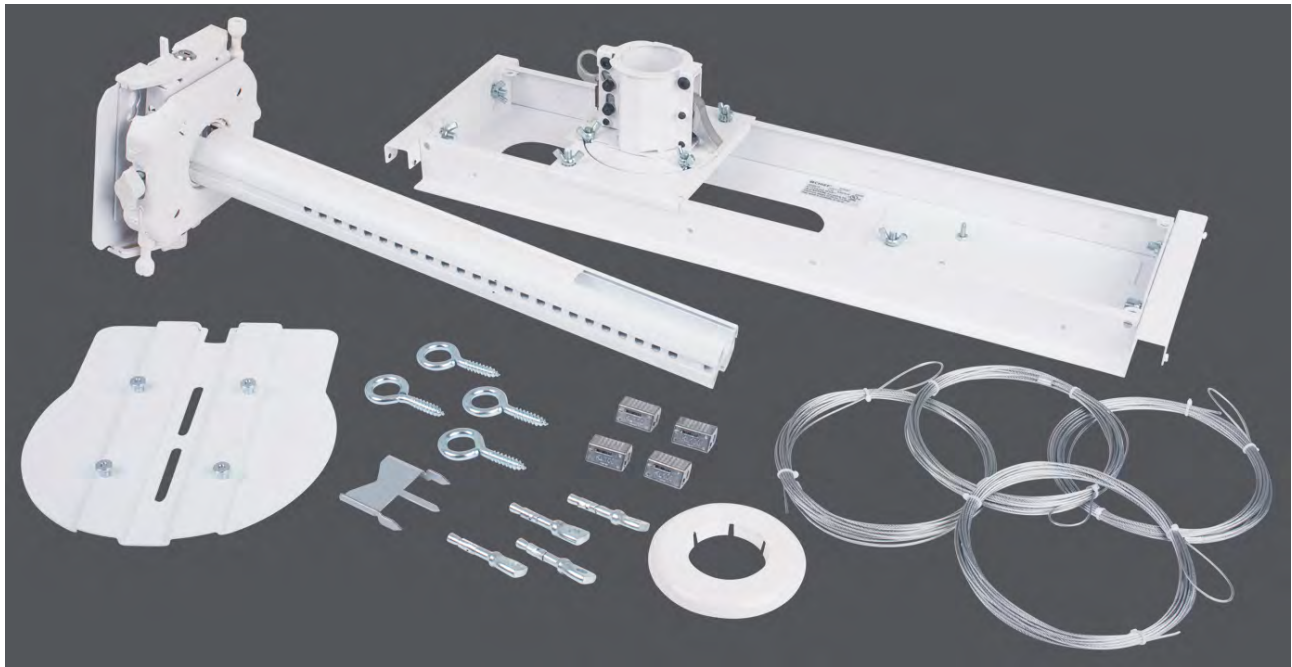
The QuickCAT Universal Suspended Ceiling Mount for PTZ Cameras is compatible with the following cameras:

- Free-standing RoboSHOT series, including RoboSHOT UHD
- ConferenceSHOT series
- PrimeSHOT 20 HDMI
- PowerVIEW series
- ClearVIEW series
- Sony BRC series (-300, -Z330, -Z700, -H700, -H800, -H900, -X1000)
- Panasonic AW series (-HE40, -UE70, -HE130)
- Cisco Precision 60 and Precision HD S1

## What's Included

The QuickCAT Universal suspended ceiling mount for PTZ cameras ships with these items:

- Tile bridge
- Camera interface mount plate
- Column assembly with trim ring
- Camera mount plate
- Support wires and anchoring hardware
- Ceiling tile cutter



## Specifications

Vertical Extension	12 in. (30.5 cm)	Height	19.8 in. (50.3 cm)
Pitch (Leveling) Adjustment	10°	Width	7.25 in. (18.4 cm)
Suspension	WireVice system	Depth	24.9 in. (63.4 cm)
Capacity	35 lbs. (15.9 kg)	Weight	13 lbs. (5.9 kg)

Vaddio is a brand of Milestone AV Technologies · [www.milestone.com](http://www.milestone.com) · Phone 800.572.2011 / +1.763.971.4400 · Fax +1.763.971.4464  
 Email [info@vaddio.com](mailto:info@vaddio.com) · Visit us at [support.vaddio.com](http://support.vaddio.com) for specifications, drawings, manuals, technical support information, and more.

Vaddio and QuickCAT are trademarks or registered trademarks of Milestone AV Technologies. All other brand names or marks are used for identification purposes and are trademarks of their respective owners. In British Columbia, Milestone AV Technologies ULC carries on business as MAVT Milestone AV Technologies ULC.