



## Installation Guide for

# EasyIP Systems

Featuring the EasyIP Decoder, EasyIP Mixer, and EasyIP 10 Camera

Document 411-0041-39 Rev C  
June 2020

# Contents

Overview .....	1
What's in this Guide .....	2
The EasyIP Ecosystem .....	2
EasyIP Cameras .....	2
EasyIP Decoder .....	2
EasyIP Mixer .....	2
PoE+ Switch .....	3
Camera Features .....	3
Decoder Features .....	3
Mixer Features .....	3
Unpacking the EasyIP System Components .....	4
EasyIP 10 AV-over-IP PTZ Camera .....	4
EasyIP Decoder AV-over-IP Switching USB Endpoint .....	4
EasyIP Mixer AV Switcher .....	5
A Quick Look at the EasyIP Family .....	6
EasyIP 10 Camera .....	6
EasyIP Decoder .....	7
EasyIP Mixer .....	8
Installation .....	9
Don't Void Your Warranty! .....	9
Before You Start .....	9
Before Installing a Camera .....	10
Cabling Notes .....	10
Basic Connections – EasyIP Decoder and EasyIP 10 Cameras .....	11
Basic Connections – EasyIP Mixer .....	12
Using Dante Devices with the EasyIP Mixer .....	13
Installing the Wall Mount .....	13
About Ceiling-Mounted Cameras .....	13
Installing the Camera .....	14
Powering Up the EasyIP System .....	15
Next Steps .....	15
Operation, Storage, and Care .....	15
Compliance and Conformity Statements .....	16
FCC Part 15 Compliance .....	16
ICES-003 Compliance .....	16
European Compliance .....	17
Photo Credits .....	18
Index .....	19

## Overview

This guide discusses the following products:

- EasyIP 10AV-over-IP PTZ camera, 999-30200-000 (black, worldwide)  
EasyIP 10 AV-over-IP PTZ camera, 999-30200-000W (white, worldwide)



- EasyIP Decoder AV-over-IP switching USB endpoint, 999-60210-000 (worldwide)



- EasyIP Mixer AV switcher, 999-60320-000 (worldwide)



## What's in this Guide

This guide covers:

- Unpacking the system
- Tips for a successful installation
- Instructions for installing the camera mount
- Information on connecting the system components
- Information on mounting the camera
- System power-on

Complete product information for the EasyIP product family is available in the **Complete Manual for EasyIP Systems**.

### Note

*If you are responsible for configuring the equipment after installing it, you will need the Complete Manual. It includes the information from this guide, plus information on system administration, operation, and troubleshooting.*

## The EasyIP Ecosystem

Vaddio® EasyIP products are designed to be used together, and have limited or no compatibility with other types of products.

- EasyIP cameras deliver video in Vaddio's proprietary EasyIP format.
- An EasyIP Decoder or EasyIP Mixer is required to convert the cameras' output signal to an IP and/or USB stream.
- The decoder and mixer do not recognize other types of cameras.
- The decoder or mixer automatically detects EasyIP cameras on its own subnet.
- Cameras are not required to be on the same subnet as the device that manages them.
- EasyIP products require PoE+ power. Typically the EasyIP system is powered by a PoE+ switch.

## EasyIP Cameras

EasyIP cameras may be installed anywhere on the network. They require only a PoE+ power connection. An EasyIP Decoder or EasyIP Mixer is needed to decode the AV-over-IP signal.

## EasyIP Decoder

The decoder is the central component of a basic EasyIP installation. Its functions include

- Video – pair with up to four cameras at a time, control the active camera via web interface, and decode the camera's AV-over-IP signal.
- Audio – connect two Vaddio microphones and a speaker.
- USB streaming – configure for UVC-compliant or client-custom USB streaming for conferencing applications.

## EasyIP Mixer

The mixer is the central component of a full-featured EasyIP pro AV room solution. Its functions include

- Video – pair with up to four cameras at a time, control the active camera via web interface, and decode the camera's AV-over-IP signal.
- Audio – connect two microphones and two speakers; pair with Dante® audio products on your network. Built-in audio mixer.
- USB streaming – configure for UVC-compliant or client-custom USB streaming for conferencing applications.

## PoE+ Switch

A PoE+ switch simplifies installation, eliminating the need for PoE+ power injectors and placing all the connected products on the same subnet.

## Camera Features

- 2.14 Megapixel effective, native 1080p/60 full HD image sensor
- 10x optical zoom, horizontal field of view of 67°
- Resolutions up to 1080p/60
- Precise pan and tilt movements at up to 90° per second
- Integration-ready Telnet control
- Pairs with an EasyIP Decoder, which provides video and audio connectivity and manages streaming
- Just one cable – the EasyIP connection to a PoE switch
- Enterprise-class IT administrative capabilities with full web controls for remote management

## Decoder Features

- Uncompressed USB 3.0 streaming
- Streaming video resolutions up to 1080p/60
- Full-duplex audio streaming
- Audio inputs for two Vaddio microphones
- HDMI video output for local display
- Universal Video Class (UVC) and Universal Audio Class (UAC) drivers supported in Windows®, macOS®, and Linux operating systems, compatible with most UC conferencing applications
- Integration-ready Telnet control
- Pairs with up to four EasyIP 10 cameras on your network to provide control and manage streaming
- Enterprise-class IT administrative capabilities with full web controls for remote management

## Mixer Features

- Uncompressed USB 3.0 streaming
- Streaming video resolutions up to 1080p/60
- Full-duplex audio streaming
- Line-level inputs for two microphones
- Line-level outputs for two speakers
- Audio mixer and video switcher
- Support for Dante® microphones and speakers
- HDMI video output for local display
- Universal Video Class (UVC) and Universal Audio Class (UAC) drivers supported in Windows®, macOS®, and Linux operating systems, compatible with most UC conferencing applications
- Integration-ready Telnet control
- Pairs with up to four EasyIP 10 cameras on your network to provide control and manage streaming
- Enterprise-class IT administrative capabilities with full web controls for remote management

## Unpacking the EasyIP System Components

Make sure you received all the items you expected.

### EasyIP 10 AV-over-IP PTZ Camera

Worldwide: 999-30200-000 (black), 999-30200-000W (white)



The box should contain these items:

- Camera (black or white)
- VaddioIR Remote Commander
- Thin Profile Wall Mount with mounting hardware
- Cat-5e cable, 10 ft. (3 m)
- Quick-Start Guide

#### Caution

*Always support the camera's base when lifting or moving it. Lifting the camera by its head or mounting arm will damage it.*



### EasyIP Decoder AV-over-IP Switching USB Endpoint

Worldwide: 999-60210-000



The box should contain these items:

- EasyIP Decoder
- USB 3 cable, 6 ft. (1.8 m)
- Cat-5e cable, 3 ft. (0.9 m)
- 4-position Phoenix-type connector
- Half-rack mounting kit
- Quick-Start Guide

## EasyIP Mixer AV Switcher

Worldwide: 999-60320-000



The box should contain these items:

- EasyIP Mixer
- Half-rack mounting kit
- 3-position Phoenix-style connectors (qty. 6)
- Cat-5 cable, 3 ft (0.9 m)
- USB 3.0 cable, type A to type B, 6 ft (1.8 m)
- Quick-Start Guide

## A Quick Look at the EasyIP Family

- EasyIP 10 camera – Great video, simple installation, minimal set-up.
- EasyIP Decoder – Decodes the AV-over-IP signal from the camera(s) and originates a USB stream.
- EasyIP Mixer – Lovely and mostly symmetrical, hypoallergenic and guaranteed not to shed fur.

### EasyIP 10 Camera

The EasyIP 10 camera delivers great video with simple installation and minimal set-up. Use it with an EasyIP Decoder or EasyIP Mixer.



**Camera and zoom lens** – 10X optical zoom lens.

**IR sensor** – Receives signals from the IR remote.

**Status light** – Multi-colored LED that indicates the camera's current state.

- Blue – Camera is active
- Purple – Standby mode or booting
- Yellow – Firmware update is in progress
- Blinking red – Video mute is on (UC color scheme)
- Blinking yellow – Motor out of calibration



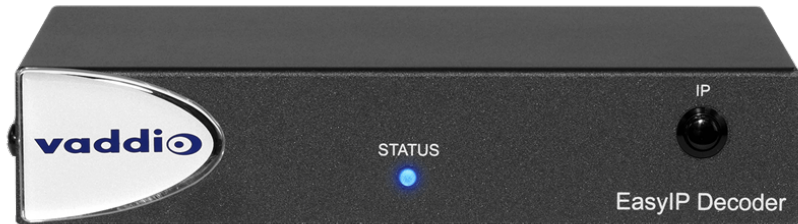
**Network/PoE+** – RJ-45 connector. Connect to a powered port on the PoE+ switch.

It doesn't get much easier than that, does it?



## EasyIP Decoder

The EasyIP Decoder receives and decodes the AV-over-IP signal from the camera(s) and originates a USB stream.

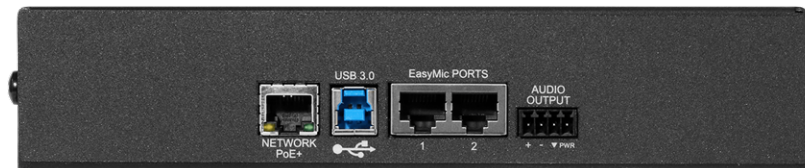


**Status light** – Provides basic information about the device.

- Illuminated: Normal operation.
- Off: No power to the device.
- Blinking: Error.

**IP Address button** – Press to display the decoder's IP address in its USB stream.

**Dimensionally enhanced logo badge** – We have spared no expense to provide a puffy logo badge to elevate your experience. It's quite shiny, and offers superior tactile appeal.



- **Network/PoE+** – RJ-45 connector. Connect to a powered port on the PoE+ switch.
- **USB 3.0** – USB Type B connector. Connect to a computer for use with soft conferencing applications. Provides uncompressed USB 3.0 stream.
- **EasyMic** – RJ-45 connectors. Connect to a TableMIC or other microphone with EasyMic connectivity.
- **Audio output** – Line level differential audio and 12 VDC power output to the optional amplified speaker or other audio infrastructure.

## EasyIP Mixer

Ideal for large classrooms and multi-camera applications, the EasyIP Mixer pairs to Dante audio inputs and outputs, and manages up to four Vaddio EasyIP cameras. It's the Art of Easy in a production switcher.



- **Swap button** – Changes the selected input. If the PIP is turned on, this also exchanges the PIP and main image on the HDMI output.
- **PIP button** – Toggles the PIP on or off. Illuminated when the PIP is on.
- **Stream button** – Toggles HDMI and USB stream on or off. Illuminated when the stream is available.
- **IP button** – Toggles the IP address display. Illuminated when the streams are displaying the IP address instead of video.
- **Reset button** and power/status light – Illuminated when the device has power. Blinks to indicate an error condition. Press the button to reboot the device.
- **Dimensionally enhanced logo badge** – We have spared no expense to provide a lovely, dimensionally enhanced logo badge to elevate your visual experience. It's quite shiny. We hope you'll enjoy it.



- **Network/PoE** – Power, control via web interface, and Dante audio.
- **USB 3.0** – Uncompressed video output with PCM audio for conferencing applications.
- **RS-232** – Connect to an optional third-party control system.
- **Trigger** – Connect up to five trigger devices.
- **HDMI In** – Video (and audio, if available) from a connected camera or other HDMI source.
- **HDMI Out** - Output video (and audio, if available) from the selected input.
- **Audio In** Mic/Line In 1 and Mic/Line In 2 – Microphone or other audio inputs. Can be configured to supply phantom power.
- **Audio Out** Line Out 1 and Line Out 2 – Far-end audio from conferencing application or as configured in the audio matrix.

## Installation

Please refer to the **Installation Guide for EasyIP AV-over-IP Systems** for a more system-oriented view of EasyIP product installation. It includes information not available in this manual.

This section covers:

- Selecting the location for the camera
- Installing the camera mount and mounting the camera
- Cabling notes
- Connection diagrams

And a required safety note here:

### Note

*PoE type networks connected to this equipment are for intra-building use only and should not be connected to lines that run outside of the building in which this product is located.*

## Don't Void Your Warranty!



### Caution

*When handling cameras, always support the camera's body when lifting or moving it. Lifting the camera by its head or mounting arm will damage it.*

### Caution

*This product is for indoor use. Do not install it outdoors or in a humid environment without the appropriate protective enclosure. Do not allow it to come into contact with any liquid.*

### Caution

*Do not install or operate this product if it has been dropped, damaged, or exposed to liquids. If any of these things happen, return it to Vaddio for safety and functional testing.*

## Before You Start

**Work with the network administrator to plan your EasyIP deployment. A typical EasyIP system includes network equipment.**

Do these things before installing any Vaddio product:

- Be sure you can identify all cables correctly.
- Check Cat-5 cables for continuity.
- Talk to the network administrator.
  - Inform the network administrator if you are installing the EasyIP system with a PoE+ switch. The Luxul switch sold as part of the EasyIPecosystem is configured for DHCP operation. The network administrator may need to take steps to ensure a trouble-free installation.
  - If you will be responsible for configuring the devices that you install, ask what hostnames (if any) you should assign to them.

## Before Installing a Camera

Things to keep in mind when deciding where to install the camera:

- Consider camera viewing angles, lighting conditions, line-of-sight obstructions, and in-wall obstructions where the camera is to be mounted.
- Ensure that the camera body can move freely and will normally point away from the ceiling and lights. The camera will not perform well if it is pointed toward a light source such as a light fixture or window.
- If the remote will be used, ensure that nothing blocks the IR lens in the camera's base.

## Cabling Notes

The TableMIC is shipped with one Cat-5e cable to connect it to your conferencing installation.

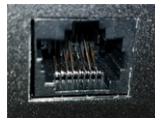
The CeilingMIC is shipped with one Cat-5e cable to connect it to the interface box.

### Caution

*When building cables for Vaddio products, do not use pass-through RJ-45 connectors. Incorrectly crimped pass-through connectors can damage the connectors on the product, which will void your warranty.*



**Intact** – will make reliable contact with cable connector



**Damaged** – Bent contact fingers will NOT make reliable contact with cable connector

Use Cat-5e or better cable. We recommend using high-quality connectors and a high-quality crimping tool. If connectors are crimped incorrectly, they can cause intermittent connections and degrade signal quality.



We recommend shielded cabling if the cables will be coiled, run tightly with other cables, or routed near sources of electromagnetic interference such as power lines or fluorescent light fixtures.

### Caution

*Check your cables. Connecting a cable to the wrong port or using the wrong pin-out can result in equipment damage and will void the warranty.*

### Pro Tip

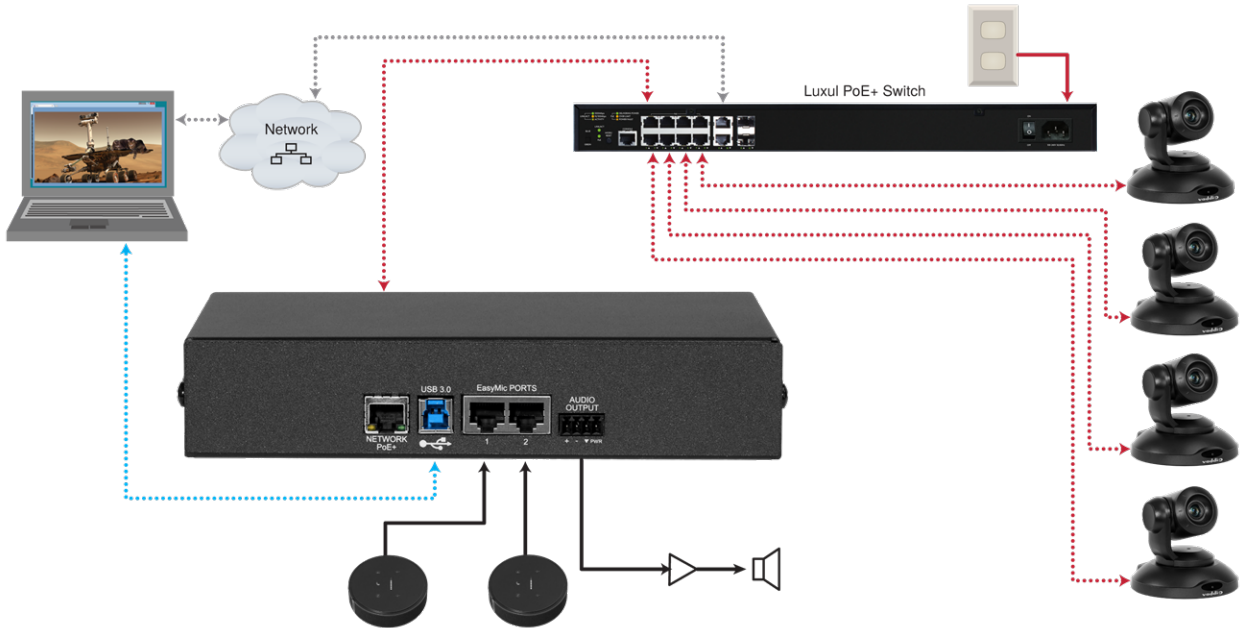
*Label all cables at both ends.*

## Basic Connections – EasyIP Decoder and EasyIP 10 Cameras

Here is an example of a simple EasyIP deployment. In this setup, an EasyIP Decoder manages up to four EasyIP 10 cameras and provides hard-wired audio connections. A PoE+ switch provides power and network connectivity to the EasyIP products. The EasyIP Decoder connects directly to a computer as a USB conferencing device.

Vaddio recommends making all connections while the PoE+ switch is turned off.

If no PoE+ switch is used, a mid-span PoE+ power injector (sold separately) is required for each EasyIP device.



### Note

*EasyIP 10 cameras require an EasyIP Decoder or EasyIP Mixer to decode the AV-over-IP signal and originate a USB stream.*

*The EasyIP Decoder is compatible with EasyIP cameras only. It does not detect or pair with other types of cameras.*

### Caution

*Do not connect the PoE+ switch to the network without guidance from an on-site network specialist.*

## Basic Connections – EasyIP Mixer

Here is an example of an EasyIP deployment using an EasyIP Mixer. In this setup, the EasyIP Mixer manages up to four EasyIP 10 cameras and provides hard-wired audio connections for speakers and microphones. The EasyIP Mixer can also pair to network-connected Dante speakers and microphones, managing up to four of each. A computer connects to the system as a USB conferencing device and HDMI content source. A PoE+ switch provides power and network connectivity to the EasyIP products. If no PoE+ switch is used, a mid-span PoE+ power injector (sold separately) is required for each EasyIP device.

A PoE+ switch provides power and network connectivity to the EasyIP products. If no PoE+ switch is used, a mid-span PoE+ power injector (sold separately) is required for each EasyIP device.

Vaddio recommends making all connections while the PoE+ switch is turned off.



### Note

The EasyIP Mixer is compatible with EasyIP cameras only. It does not detect or pair with other types of cameras.

### Caution

Do not connect the PoE+ switch to the network without guidance from an on-site network specialist.

## Using Dante Devices with the EasyIP Mixer

The EasyIP Mixer is compatible with Dante audio products. These products connect to the EasyIP Mixer over the network.

To work with Dante devices, you will need to download and install the free Dante Controller application from Audinate Pty. Ltd.:

[www.audinate.com/products/software/dante-controller](http://www.audinate.com/products/software/dante-controller)

Things to know about Dante Controller:

- Dante Controller does not work over Wi-Fi or across subnets. Your computer must be on the same subnet as the Dante devices you need to work with.
- Device names and IP addresses shown in Dante Controller do not match the corresponding information shown in Vaddio devices' web interfaces.
- Dante Controller allows you to rename devices, so you can make their identifying labels match what's displayed in the Vaddio web interface.

Audinate provides information, training, and documentation for Dante technology on their website.

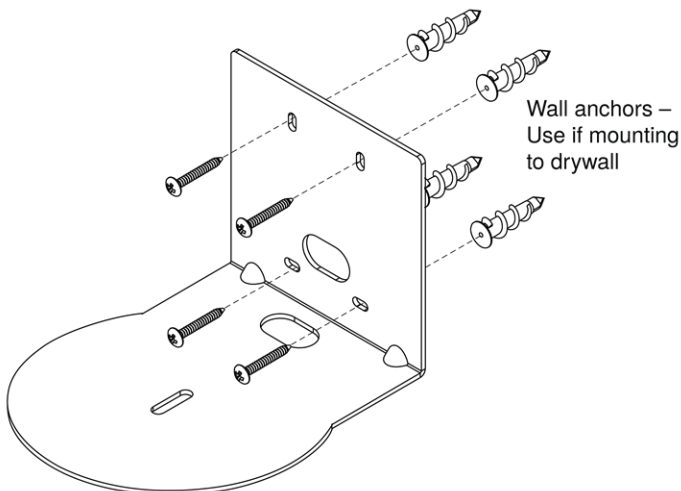
## Installing the Wall Mount

The camera is shipped with a wall mount. Other mounting options are available as well. Contact us if you don't have the camera mount you need.

You can install the camera wall mount to a 2-gang wall box or directly to the drywall.

- If you mount it to drywall, use the wall anchors provided with the wall mount.
- If you mount it to a wall box, use the cover plate screws supplied with the wall box.

If you install the camera wall mount to drywall, use the wall anchors provided with the mount.



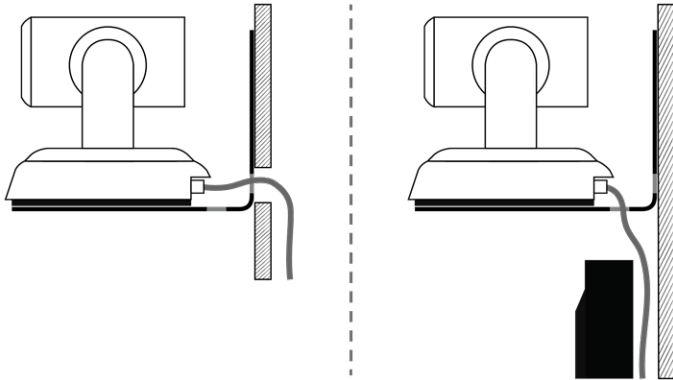
Your camera mount may look somewhat different.

## About Ceiling-Mounted Cameras

If you use an inverted mount, set the camera's Image Flip mode ON for inverted operation. This orients the video image correctly and sets the tilt motors to respond appropriately to tilt up and down commands from the remote, web interface, and connected control devices. This control is available to the administrator on the web interface's System page. See [Inverting the Image for Ceiling-Mounted Cameras](#).

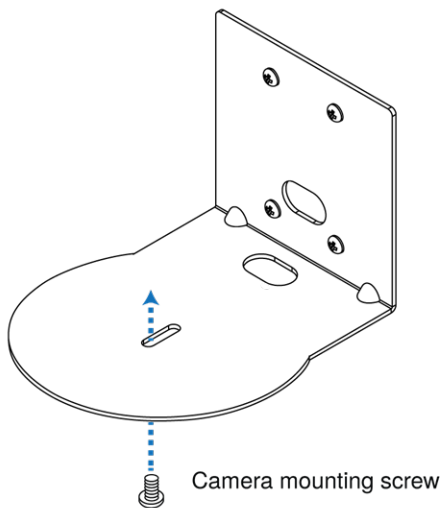
## Installing the Camera

1. Route the cable through the opening in the mounting shelf and connect it to the camera.
2. Place the camera on the mount.



*Image for illustration only; not to scale. Camera and mount details may differ.*

3. Attach the camera to the mount using the mounting screw supplied with the camera.



### **Note**

*If the camera is jostled or bumped while it is connected to power, it may require a pan-tilt reset.*



## Powering Up the EasyIP System

Vaddio recommends making all connections while the PoE+ switch is turned off. To power the system, turn on the PoE+ switch.

- The EasyIP Decoder's status light turns blue when the device is ready. The connected computer recognizes it as a USB peripheral.
- The EasyIP 10 cameras initialize and move if they are powered from the same PoE+ switch. This will take a few seconds. When each camera's status light turns blue, the camera is ready to accept control information.
- The EasyIP Mixer's power light in the Reset button illuminates immediately when power is connected. The device's web interface is available after it finishes booting. This takes about 20 seconds.

## Next Steps

No video is available from the EasyIP system until it is configured. Refer to the Complete Manual for the EasyIP System for information on initial device set-up and pairing EasyIP 10 cameras to the EasyIP Decoder.

## Operation, Storage, and Care

For smears or smudges on the product, wipe with a clean, soft cloth. Use a lens cleaner on the lens. Do not use any abrasive chemicals.

Keep this device away from food and liquids.

Do not operate or store the device under any of the following conditions:

- Temperatures above 40° C (104° F) or below 0° C (32° F)
- High humidity, condensing or wet environments
- Inclement weather
- Severe vibration
- Under the sea, in an octopus's garden
- Dry environments with an excess of static discharge

Do not attempt to take this product apart. There are no user-serviceable components inside.

## Compliance and Conformity Statements

Compliance testing was performed to the following regulations:

FCC Part 15 (15.107, 15.109), Subpart B	Class A
ICES-003, Issue 54: 2012	Class A
EMC Directive 2014/30/EU	Class A
EN 55032: 2015	Class A
EN 55024: November 2010	Class A
IEC 60950-1:2005 (2nd Edition); Am 1: 2009 + Am 2: 2013	Safety
EN 60950-1: 2006 + A11: 2009 + A1: 2010 + A12: 2011 + A2: 2013	Safety
IEC 62368-1:2014 (2nd Edition)	Safety

### FCC Part 15 Compliance

This equipment has been tested and found to comply with the limits for a Class A digital device, pursuant to Part 15, Subpart B, of the FCC Rules. These limits are designed to provide reasonable protection against harmful interference when the equipment is operated in a commercial environment. This equipment generates, uses, and can radiate radio frequency energy and, if not installed and used in accordance with the instruction manual, may cause harmful interference to radio communications. Operation of this equipment in a residential area is likely to cause harmful interference in which case the user will be required to correct the interference at his/her own expense.

Operation is subject to the following two conditions: (1) This device may not cause interference, and (2) This device must accept any interference including interference that may cause undesired operation of the device.



Changes or modifications not expressly approved by Vaddio can affect emission compliance and could void the user's authority to operate this equipment.

### ICES-003 Compliance

This digital apparatus does not exceed the Class A limits for radio noise emissions from digital apparatus set out in the Radio Interference Regulations of the Canadian Department of Communications.

Le présent appareil numérique n'émet pas de bruits radioélectriques dépassant les limites applicables aux appareils numériques de la classe A prescrites dans le Règlement sur le brouillage radioélectrique édicté par le ministère des Communications du Canada.



## European Compliance

This product has been evaluated for Electromagnetic Compatibility under the EMC Directive for Emissions and Immunity and meets the requirements for a Class A digital device. In a domestic environment this product may cause radio interference in which case the user may be required to take adequate measures.

**Standard(s) To Which Conformity Is Declared:**



EMC Directive 2014/30/EU

EN 55032: 2015 – Conducted and Radiated Emissions

EN 55024: November 2010 – Immunity

IEC 60950-1: 2005 (2nd Edition); Am 1: 2009 + Am 2: 2013 – Safety

EN 60950-1: 2006 + A11: 2009 + A1: 2010 + A12: 2011 + A2: 2013 – Safety

IEC 62368-1: 2014 (2nd Edition) – Safety

## Photo Credits

This guide may include some or all of these photos.

European Space Agency (ESA) astronaut Samantha Cristoforetti, a Flight Engineer with Expedition 42, photographs the Earth through a window in the Cupola on the International Space Station

By NASA - [https://blogs.nasa.gov/ISS\\_Science\\_Blog/2015/03/06/women-in-space-part-two-whats-gender-got-to-do-with-it/](https://blogs.nasa.gov/ISS_Science_Blog/2015/03/06/women-in-space-part-two-whats-gender-got-to-do-with-it/), Public Domain, <https://commons.wikimedia.org/w/index.php?curid=38834990>

Carl Sagan, Bruce Murray, Louis Friedman (founders) and Harry Ashmore (advisor), on the occasion of signing the papers formally incorporating The Planetary Society

By credit NASA JPL - JPL, Public Domain, <https://commons.wikimedia.org/w/index.php?curid=1180927>

Main Control Room / Mission Control Room of ESA at the European Space Operations Centre (ESOC) in Darmstadt, Germany

By European Space Agency - ESOC flickr, Credit: ESA - Jürgen Mai, CC BY-SA 3.0-igo,

<https://commons.wikimedia.org/w/index.php?curid=36743173>

Expedition 42 on orbit crew portrait, International Space Station, Mar. 7, 2015 – Barry Wilmore (Commander) Top, Upside down, to the right cosmonaut Elena Serova, & ESA European Space Agency Samantha Cristoforetti. Bottom center US astronaut Terry Virts, top left cosmonauts Alexander Samokutyaev and Anton Shkaplerov.

By NASA - <https://www.flickr.com/photos/nasa2explore/16166230844/>, Public Domain,

<https://commons.wikimedia.org/w/index.php?curid=38931301>

European Space Agency astronaut Luca Parmitano, Expedition 36 flight engineer, outside the International Space Station

By NASA - <http://spaceflight.nasa.gov/gallery/images/station/crew-36/html/iss036e016704.html>, Public Domain, <https://commons.wikimedia.org/w/index.php?curid=27263573>

Chris Cassidy, Luca Parmitano, and Karen Nyberg, ISS, 2013. Photo Credit: NASA

Nicolas Altobelli, Rosetta Scientist at ESA's European Space Astronomy Centre, Villanueva de la Cañada, Madrid, Spain

By European Space Agency - Nicolas Altobelli talks to the media, CC BY-SA 3.0-igo,

<https://commons.wikimedia.org/w/index.php?curid=36743144>

Andrea Accomazzo, ESA Rosetta Spacecraft Operations Manager, providing a live update from the Main Control Room at ESA's European Space Operations Centre, Darmstadt, Germany during the Rosetta wake-up day.

By European Space Agency - Live update from the Main Control Room, CC BY-SA 3.0-igo,

<https://commons.wikimedia.org/w/index.php?curid=36743150>

Sleeping goose

By ladypine - Own work, CC BY-SA 3.0, <https://commons.wikimedia.org/w/index.php?curid=1695227>

By Rick Dikeman - Image:Wayne Gretzky 1997.jpg, CC BY-SA 3.0,

<https://commons.wikimedia.org/w/index.php?curid=945698>

Photo AS11-40-5948, Aldrin assembles seismic experiment, by National Aeronautics and Space Administration, courtesy of the NASA History Office and the NASA JSC Media Services Center

Author's own cats, photos by author, you're welcome.

# Index

## A

- anatomy of the camera 6
- anatomy of the decoder 6-7

## B

- behavior on power-up 15
- buttons and indicators 6-8

## C

- cable connectors 10
- camera mount 13-14
- cameras 9
  - placement 9
- capabilities 3
- ceiling-mounted cameras 13
- cleaning 15
- connection diagram 11-12

## D

- damage, preventing 4, 9-10
- Dante Controller (application) 13
- Dante devices 13
- diagram, connection 11-12

## E

- EasyIP basics 2

## I

- indicator light 6-8
  - meaning of colors 6-7
- installation 11-14
  - camera 14
  - camera mount 13
  - inverted 13
  - typical 11-12
- inverted installation 13
- IP address 6-8
  - decoder, discovering 6-7
  - EasyIP Decoder, discovering 6
  - EasyIP Mixer, discovering 8

## L

- location of the camera 9

## M

- minimum requirements, EasyIP system 11-12
- mount 13-14
  - installing 13
- mounting the camera 14

## O

- operating environment 9, 15

## P

- packing list 4
- part numbers 4
- power on/power off 15
- precautions 4, 9
  - for operating the system 9
- product capabilities 3
- puffy logo badge 6-8

## R

- requirements 2, 9-13
  - EasyIP system 2
  - installation 9-13
- RJ-45 connectors 10

## S

- shelf-mounted cameras 14
- shelf, camera mount 13
- site requirements 9
- status light 6-8
  - behavior 6-7
- storage environment 15
- switch settings 13

## T

- temperature, operating and storage 15

## V

- visual packing list 4
- visual parts identification 6-8

## W

- wall mount 13
  - installing 13
- warranty 9

Vaddio is a brand of Legrand AV Inc. · [www.legrandav.com](http://www.legrandav.com) · Phone 800.572.2011 / +1.763.971.4400 · Fax +1.763.971.4464 · Email [av.vaddio.support@legrand.com](mailto:av.vaddio.support@legrand.com)

Visit us at [support.vaddio.com](http://support.vaddio.com) for firmware updates, specifications, drawings, manuals, technical support information, and more.

©2020 Legrand AV Inc.

Vaddio is a registered trademark of Legrand AV Inc. All other brand names or marks are used for identification purposes and are trademarks of their respective owners. All patents are protected under existing designations. Other patents pending.

**A brand of  legrand®**

**Commercial AV Brands Chief | Da-Lite | Middle Atlantic | Projecta | Vaddio**

**vaddio®**