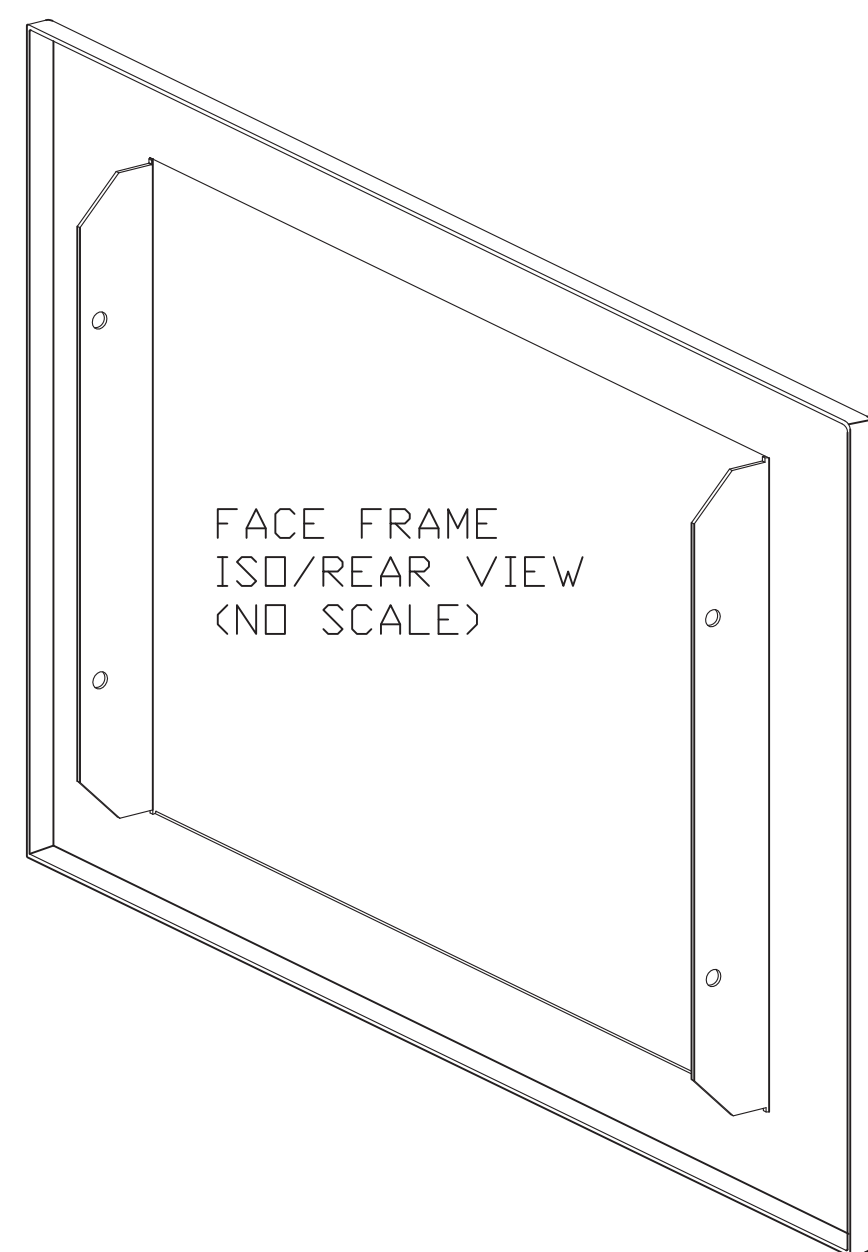
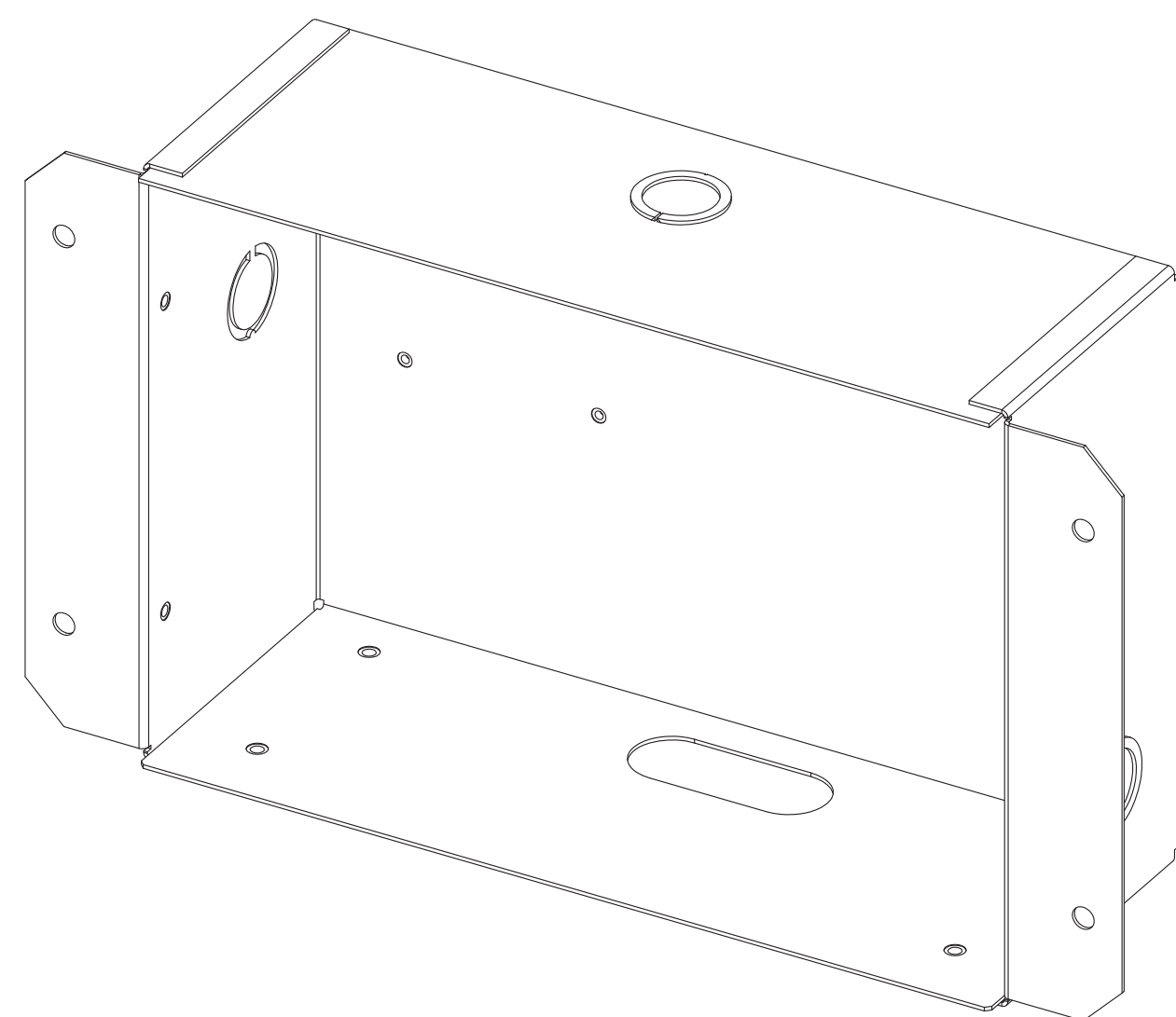


CAMERA PLATFORM TOP AND SIDE VIEWS
(12 GAUGE CRS)

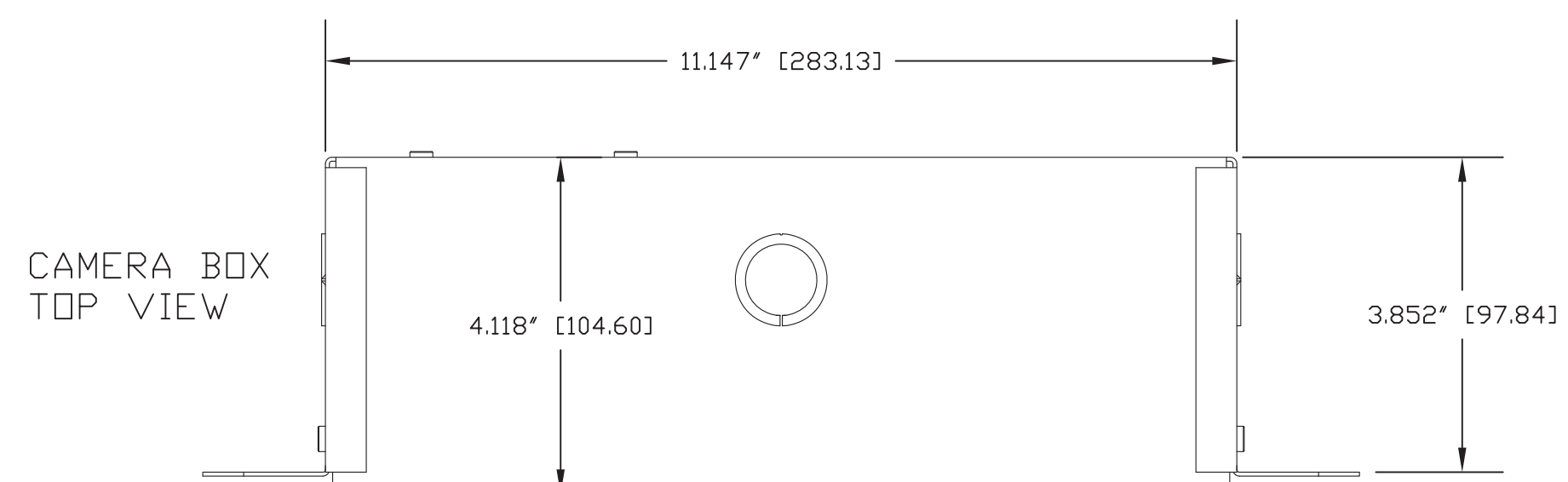
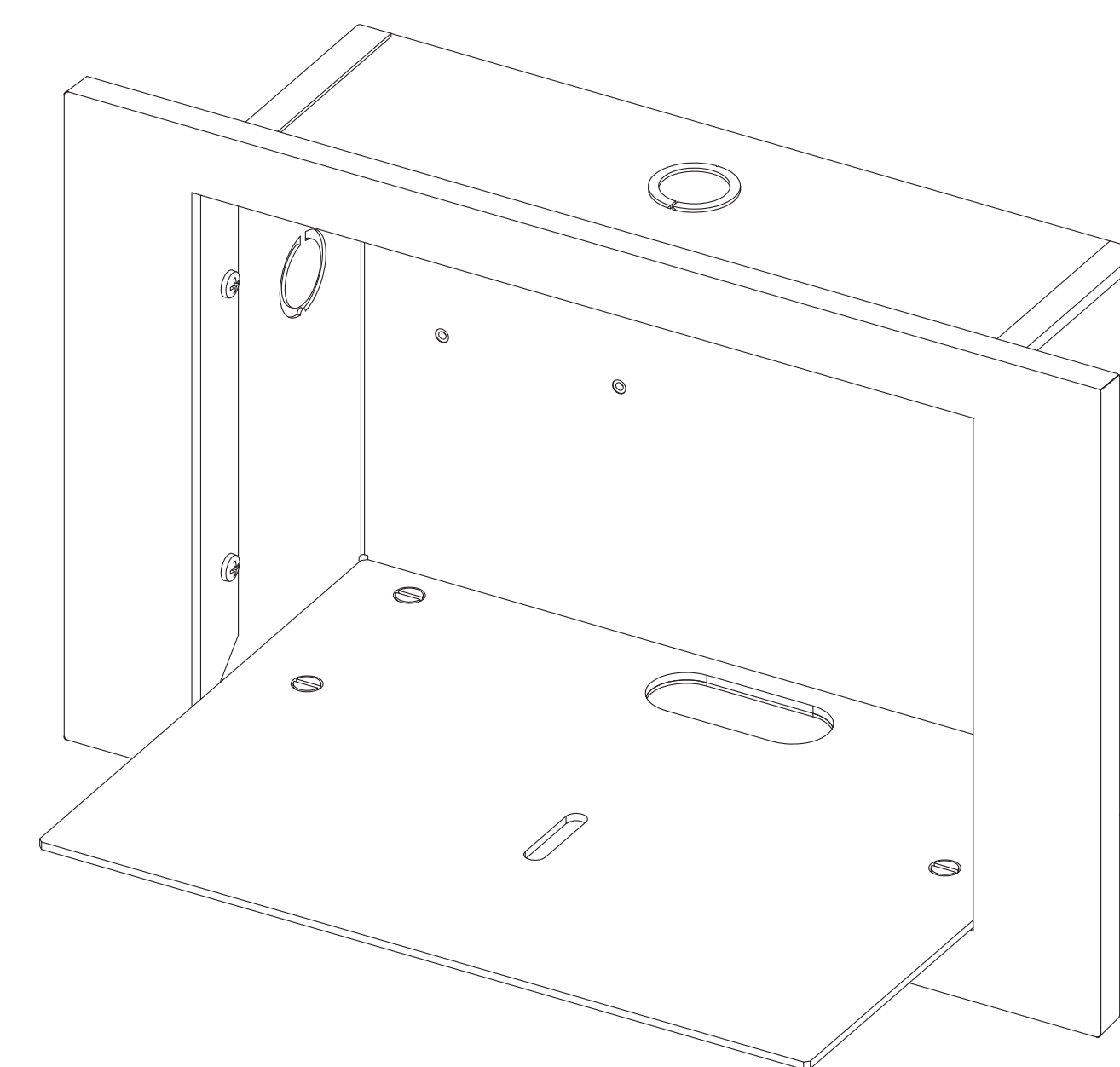


FACE FRAME
ISO/REAR VIEW
(NO SCALE)

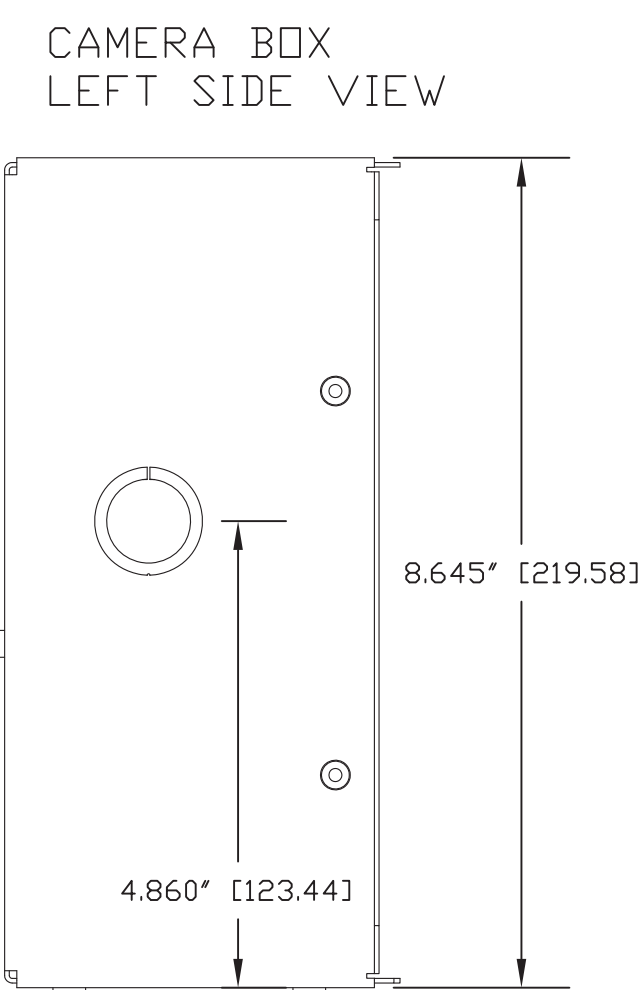
ISO VIEW CAMERA BOX
(NO SCALE)



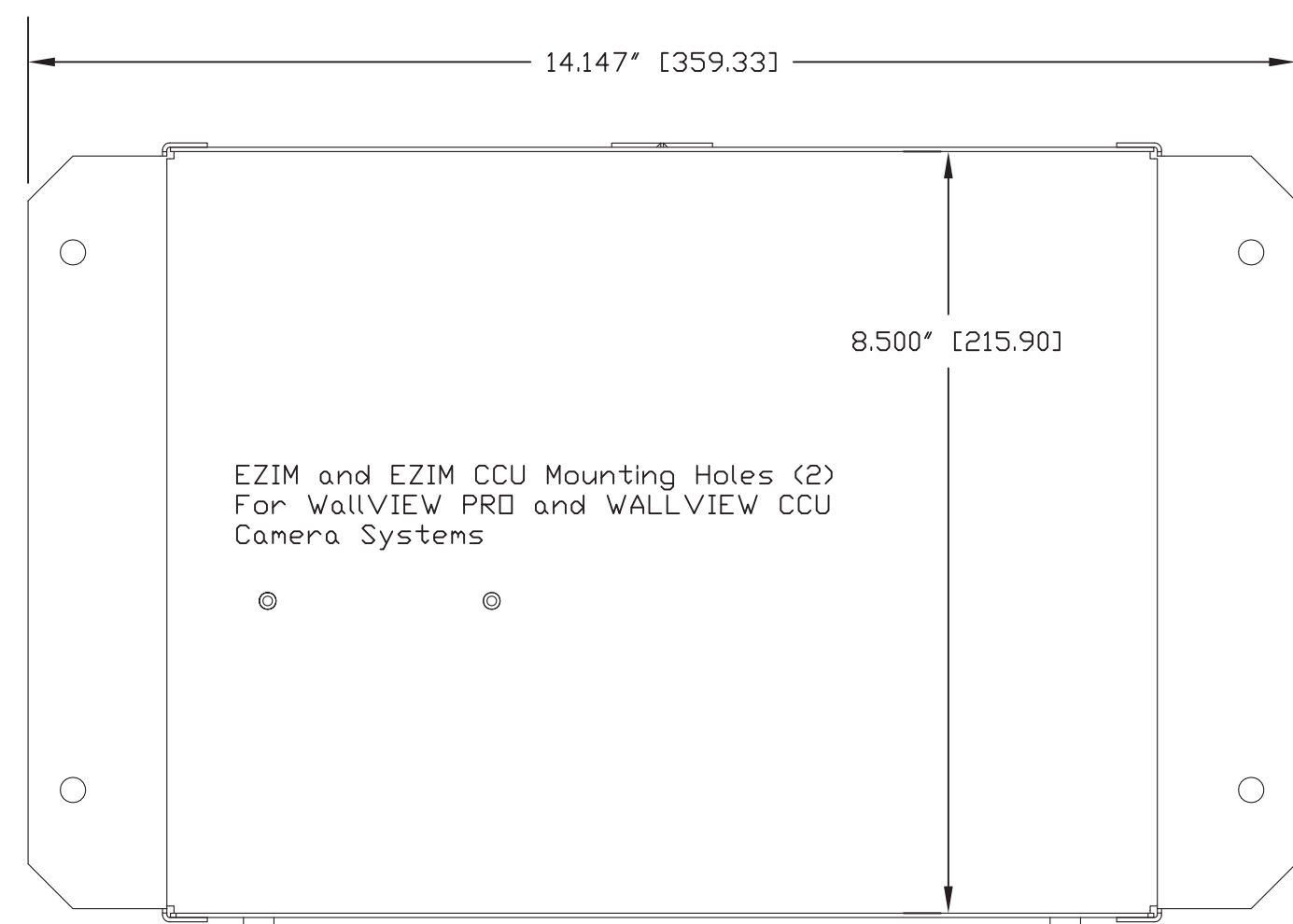
ISO VIEW CAMERA BOX WITH
CAMERA PLATFORM & FRAME (NO SCALE)



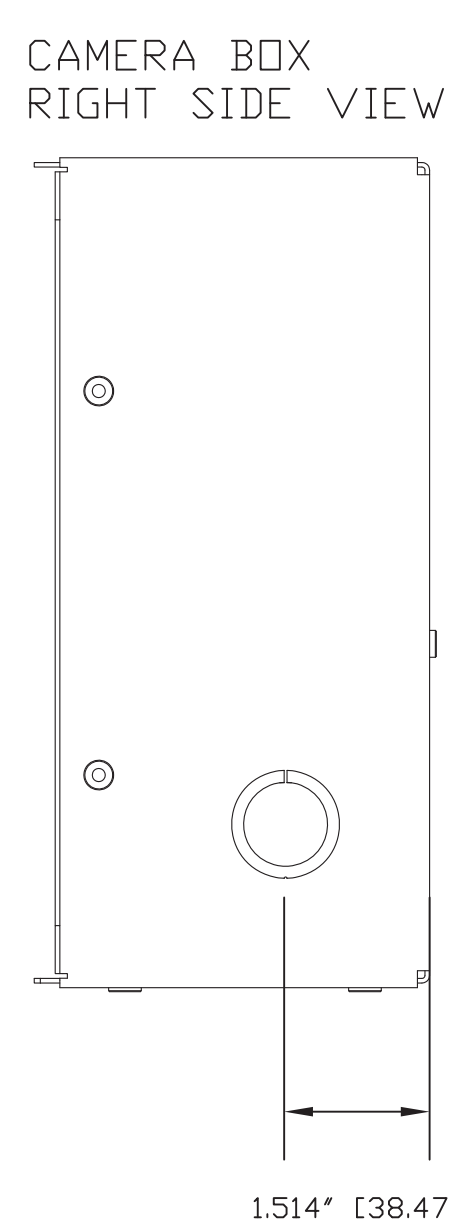
CAMERA BOX
TOP VIEW



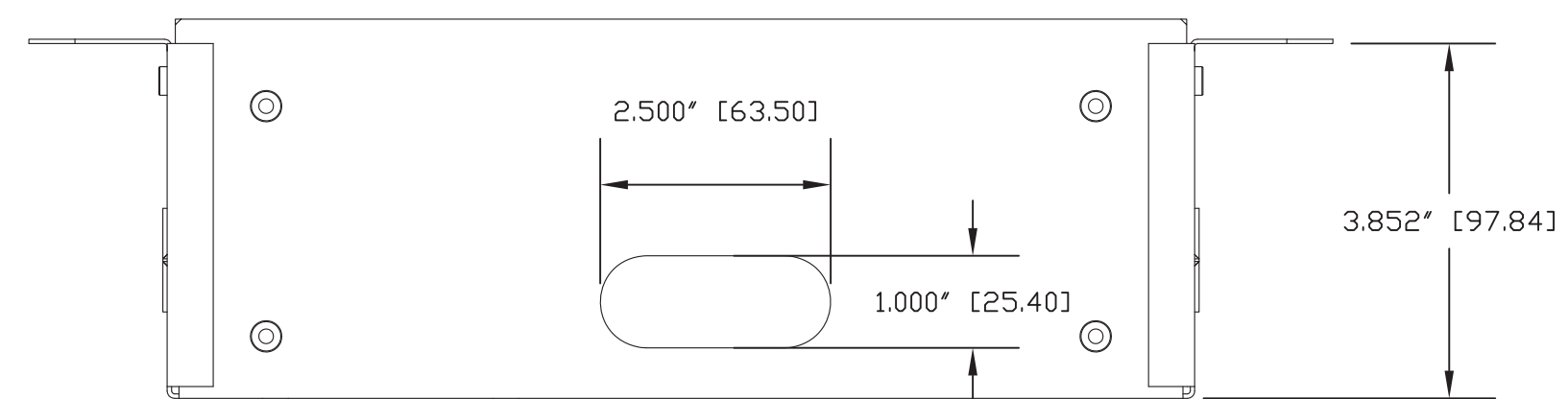
CAMERA BOX
LEFT SIDE VIEW



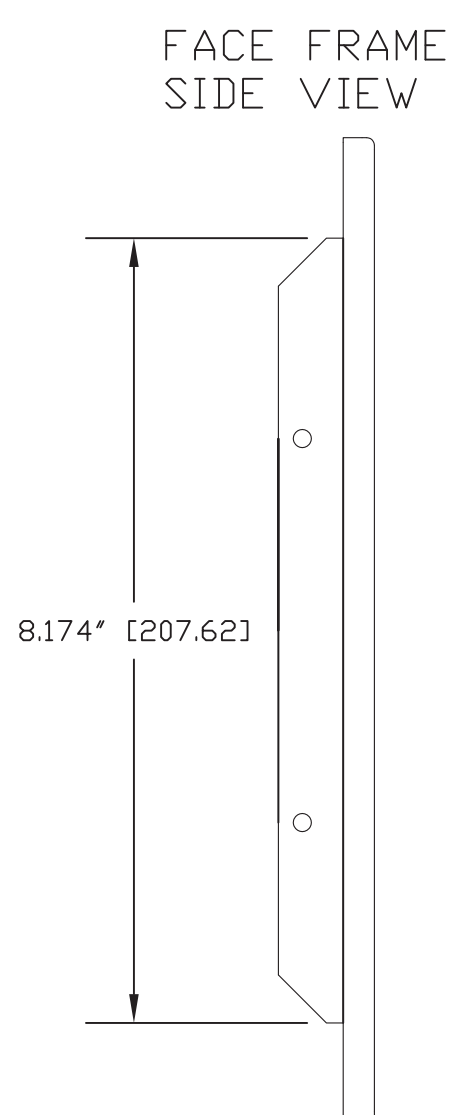
CAMERA BOX FRONT VIEW



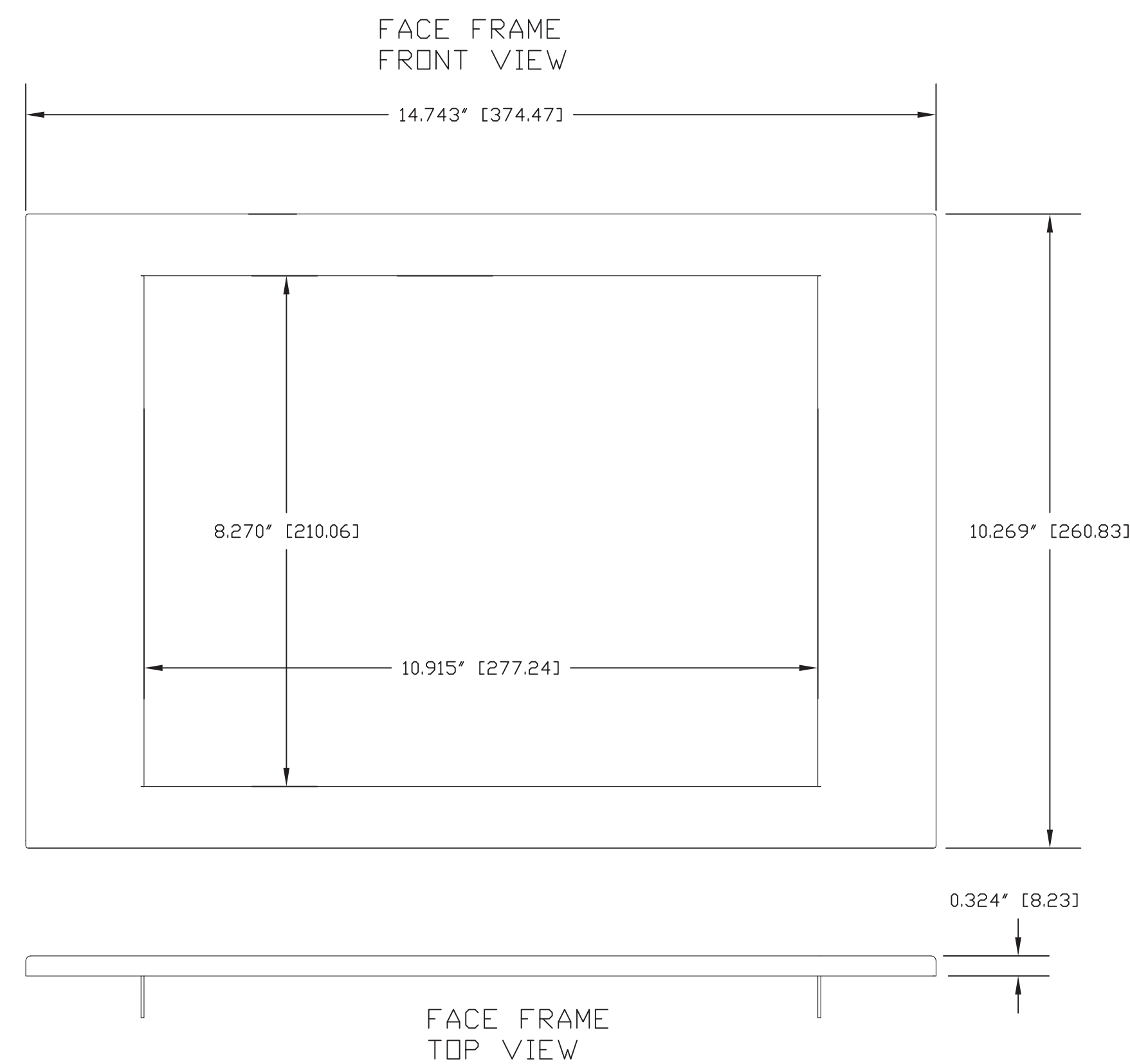
CAMERA BOX
RIGHT SIDE VIEW



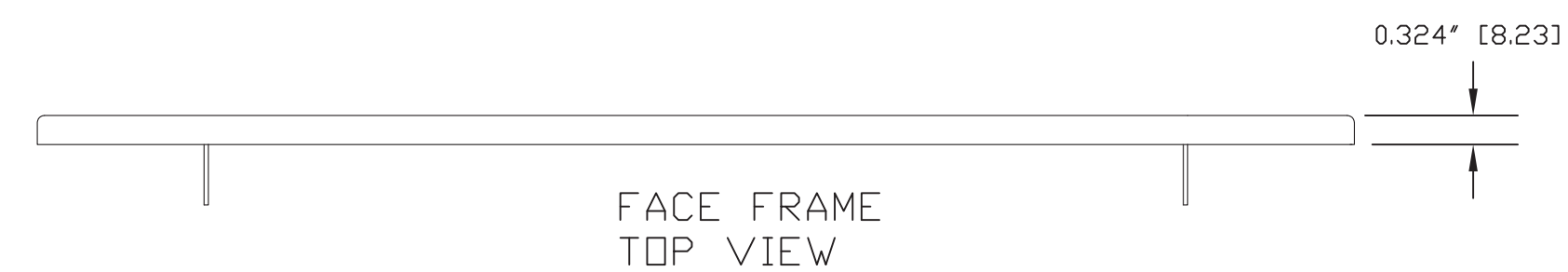
CAMERA BOX BOTTOM VIEW



FACE FRAME
SIDE VIEW



FACE FRAME
FRONT VIEW



FACE FRAME
TOP VIEW

vaddio

GENERAL NOTES:
DIMENSIONS ARE IN INCHES (mm) UNLESS OTHERWISE NOTED.
DO NOT DISTRIBUTE WITHOUT EXPRESS WRITTEN PERMISSION
OF VADDIO. DUE TO OUR CONTINUING EFFORTS TO ENHANCE
OUR PRODUCTS, WE RESERVE THE RIGHT TO CHANGE
SPECIFICATIONS WITHOUT PRIOR NOTICE OR OBLIGATION.

IN-Wall Mount for Cisco Precision 60 Camera

Vaddio PART NUMBER 999-2225-020 (BOX, FRAME & PLATFORM)

DRAWN RAR	CHECKED Drahcir	APPROVED RAR	DATE 11/12/2014 SD: 68330.5
--------------	--------------------	-----------------	-----------------------------------

THIS DRAWING, INCLUDING ALL SUBJECT MATTERS INDICATED THEREIN OR DERIVED THEREFROM,
COMPRISES PROPRIETARY INFORMATION AND IS THE EXPRESS PROPERTY OF VADDIO.
All Rights Reserved - Copyright 2014

MATERIALS CRS 18 GAUGE (BOX & FRAME) & 12 GAUGE (PLATFORM)	SCALE 1:2	DRAWING No. 2225-020	REV REV A
FINISH WHITE POWDERCOAT 20% GLOSS Vaddio 806-503	SIZE D		