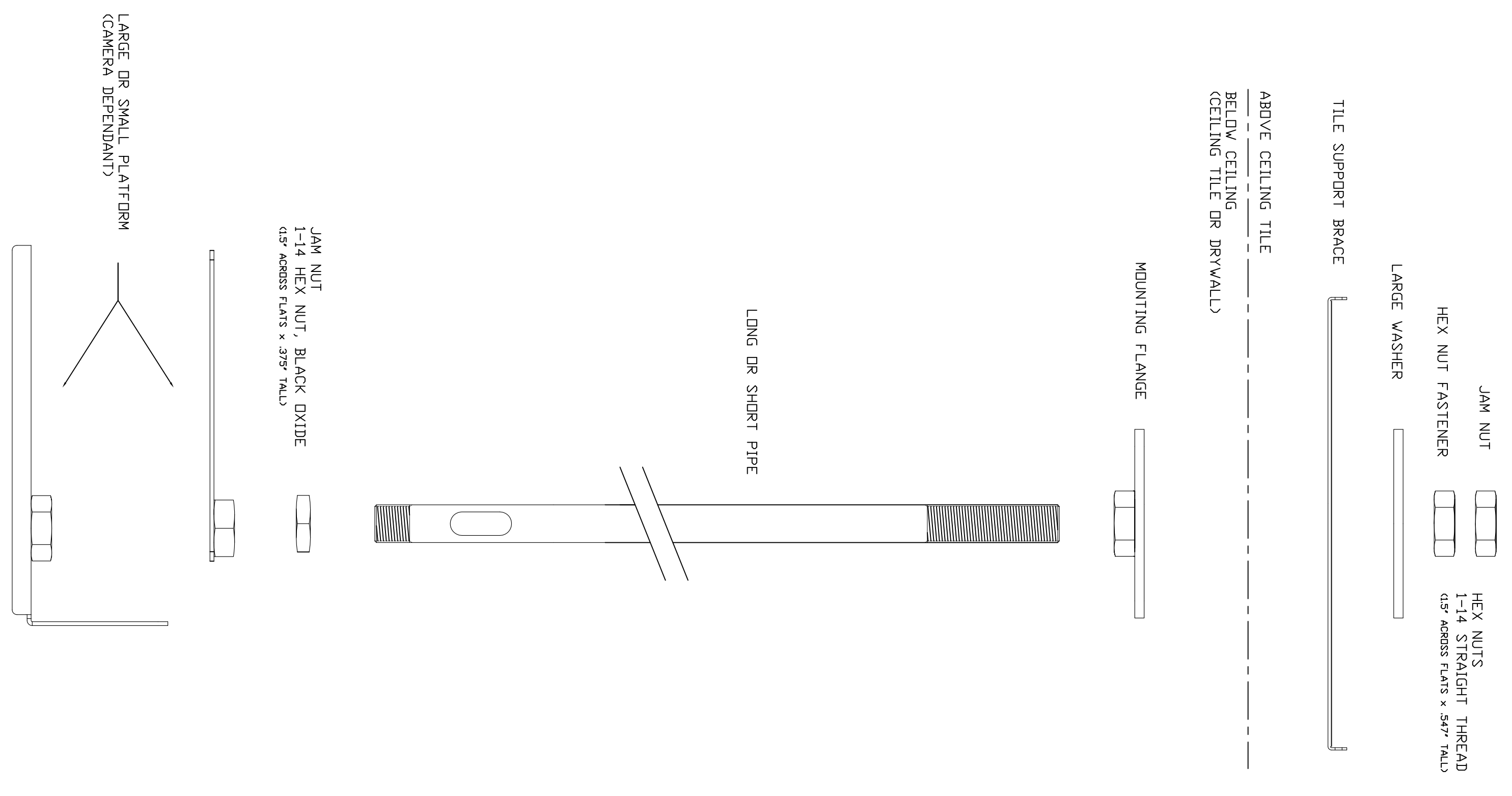
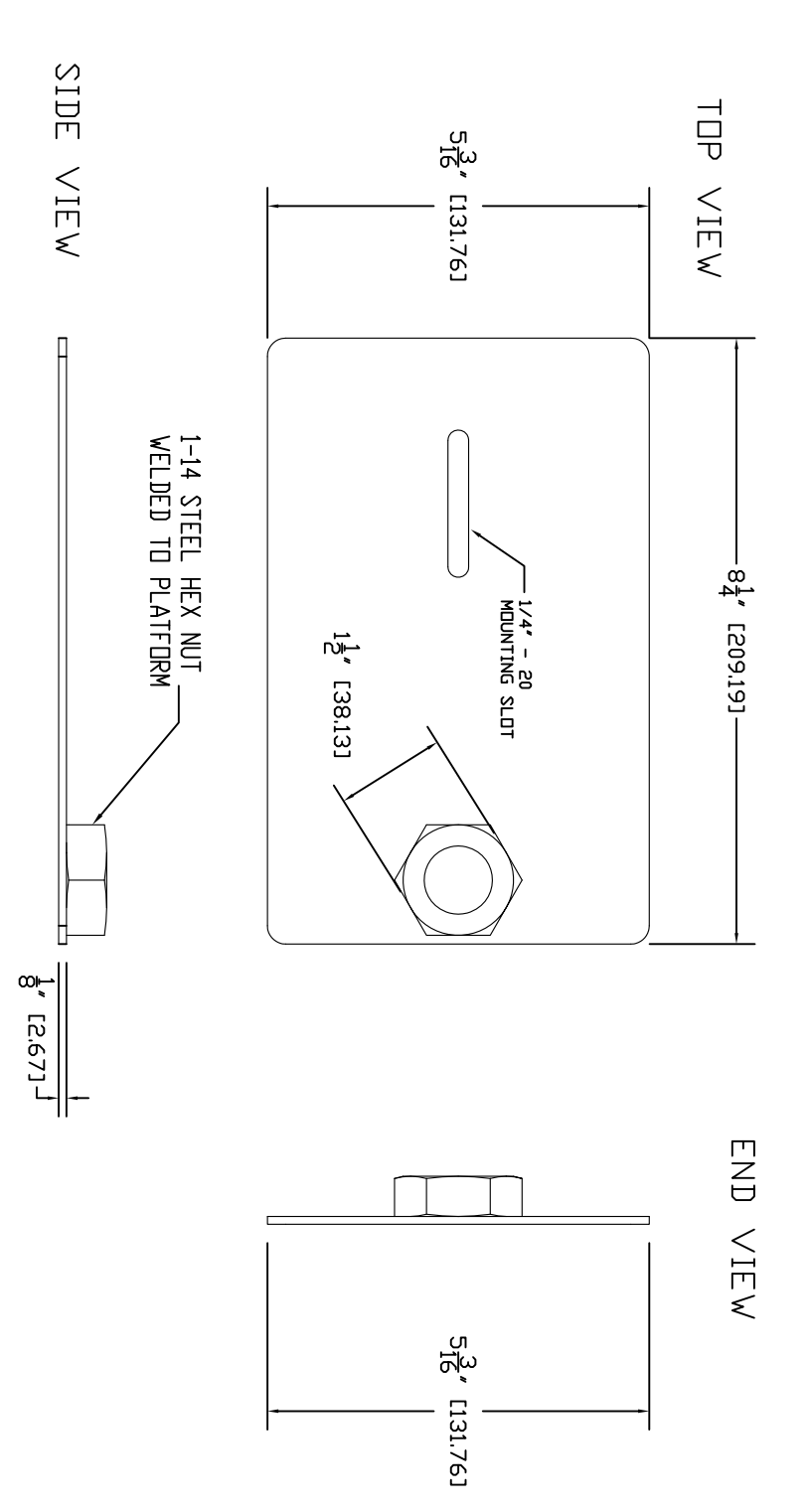


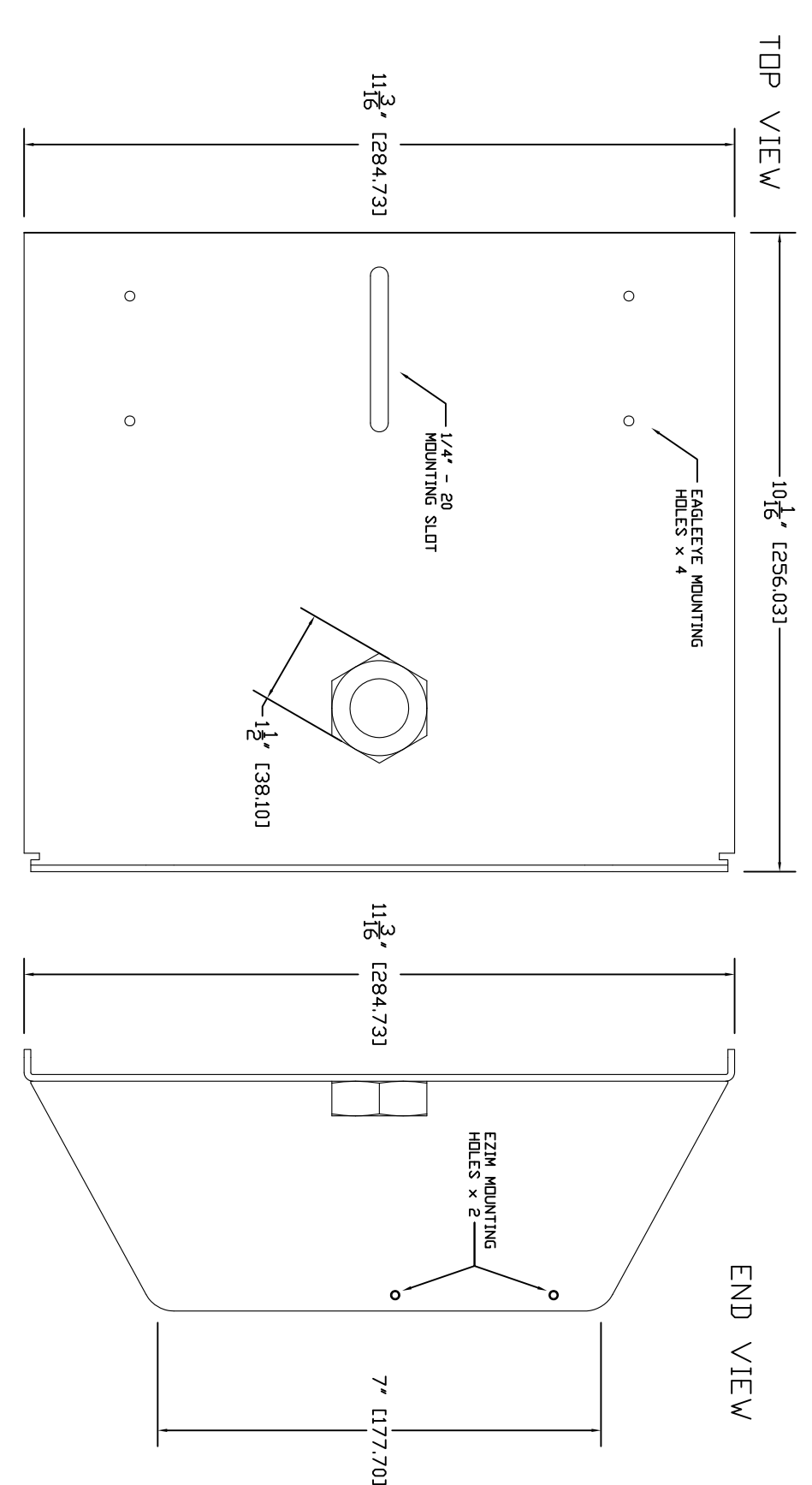
SIDE VIEW PARTS EXPLOSION



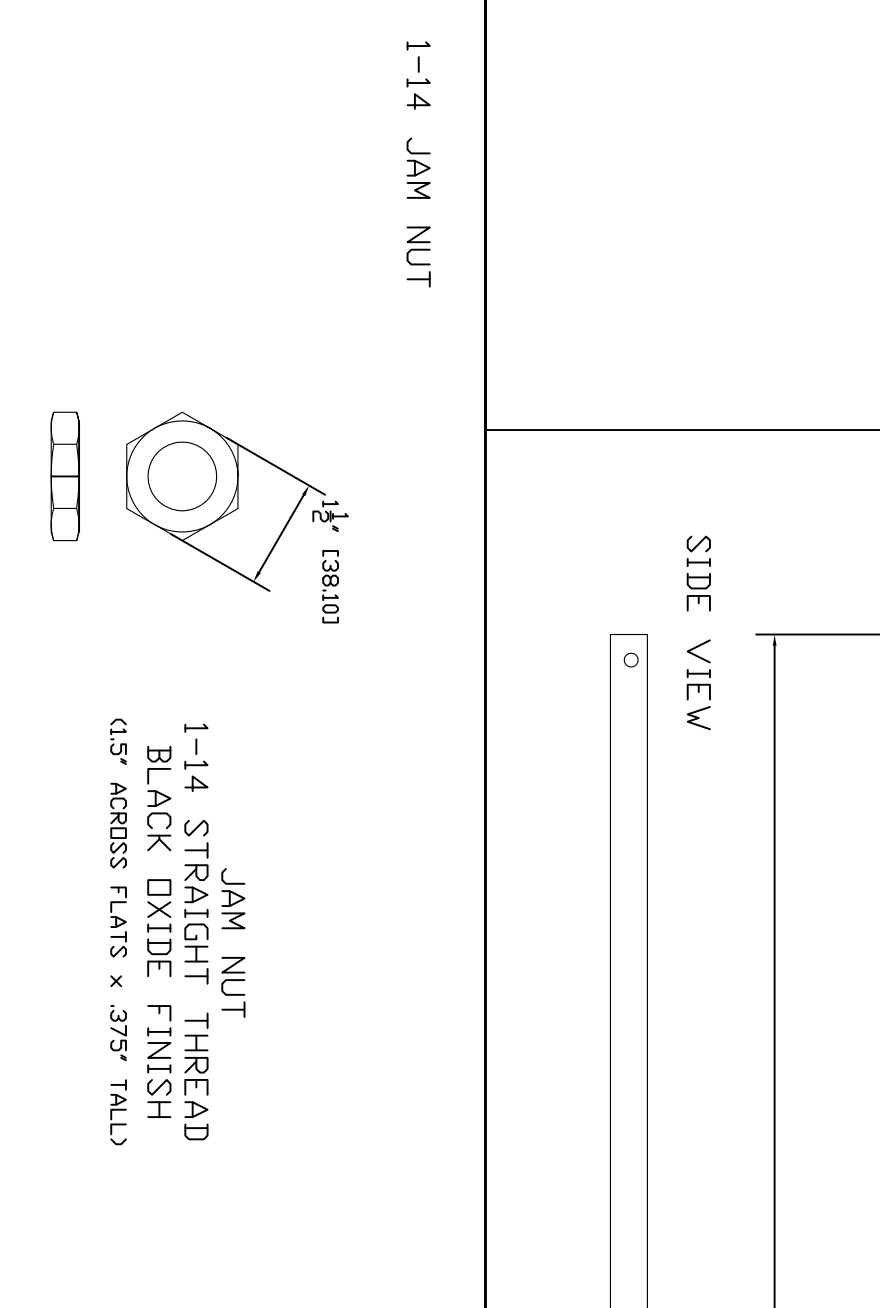
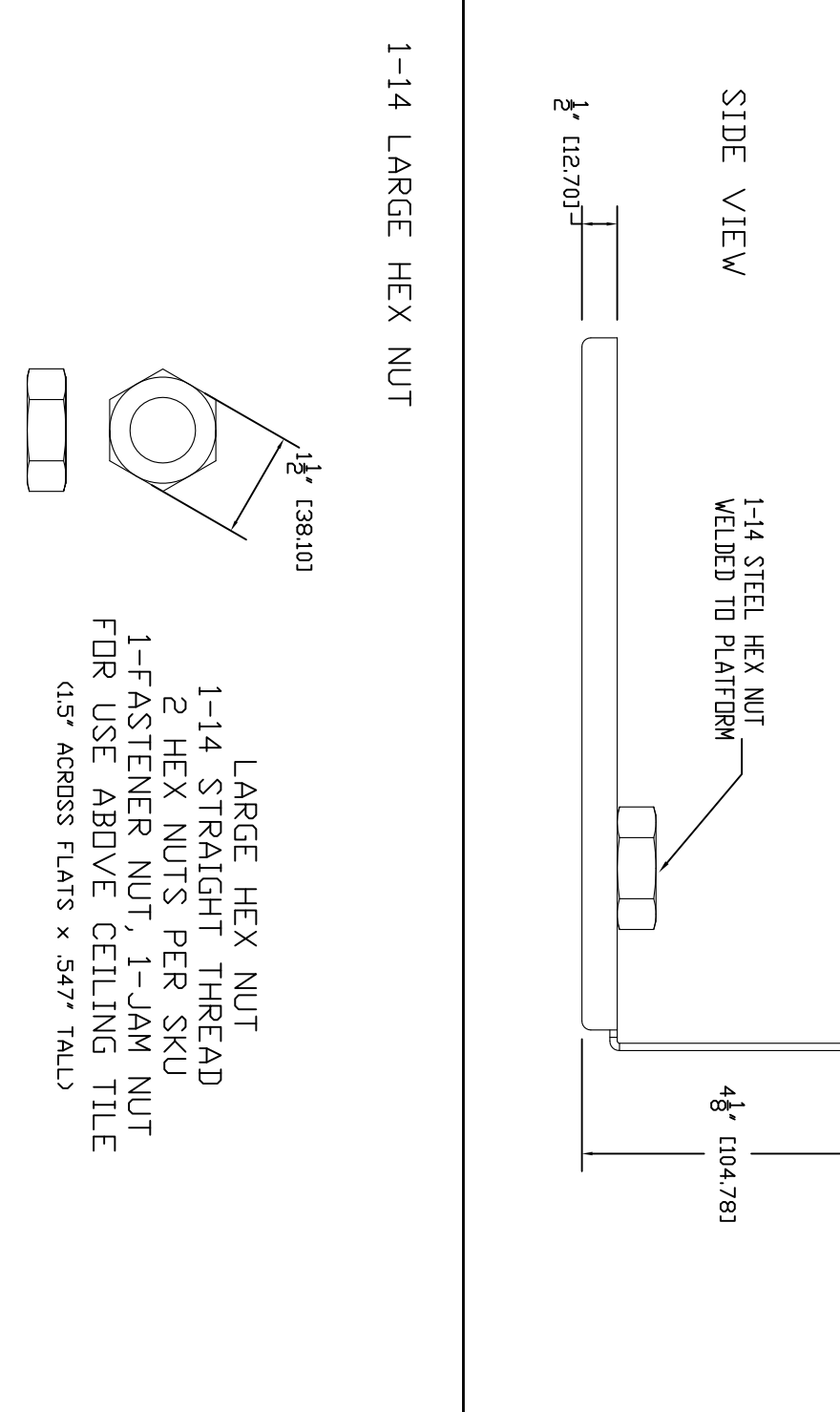
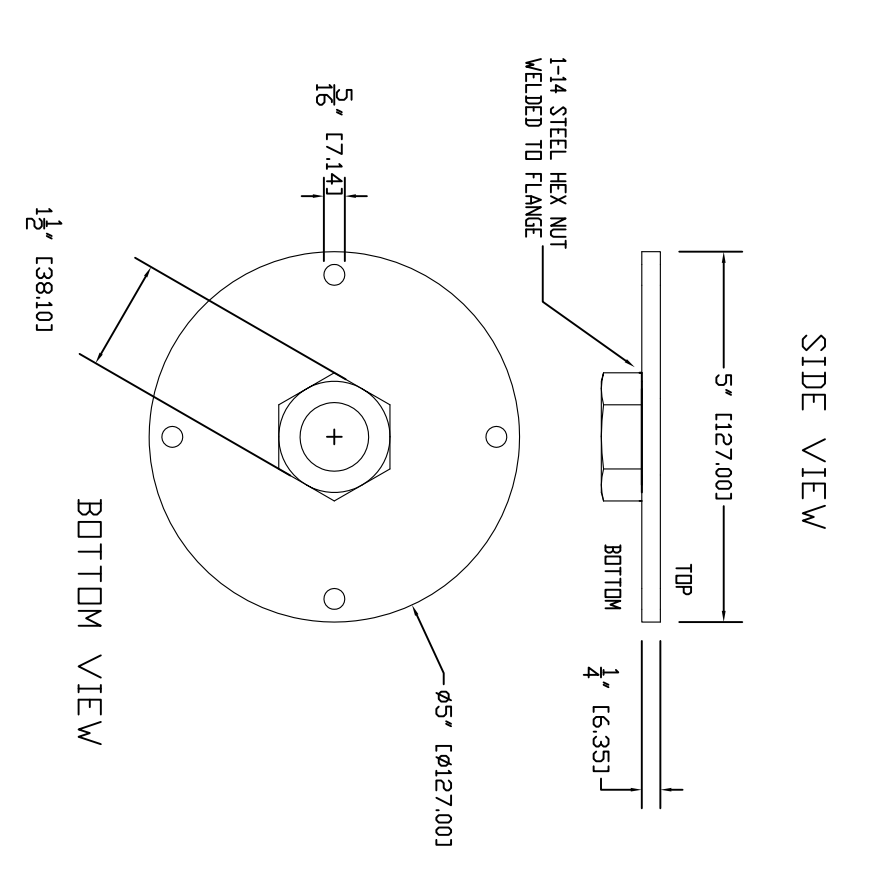
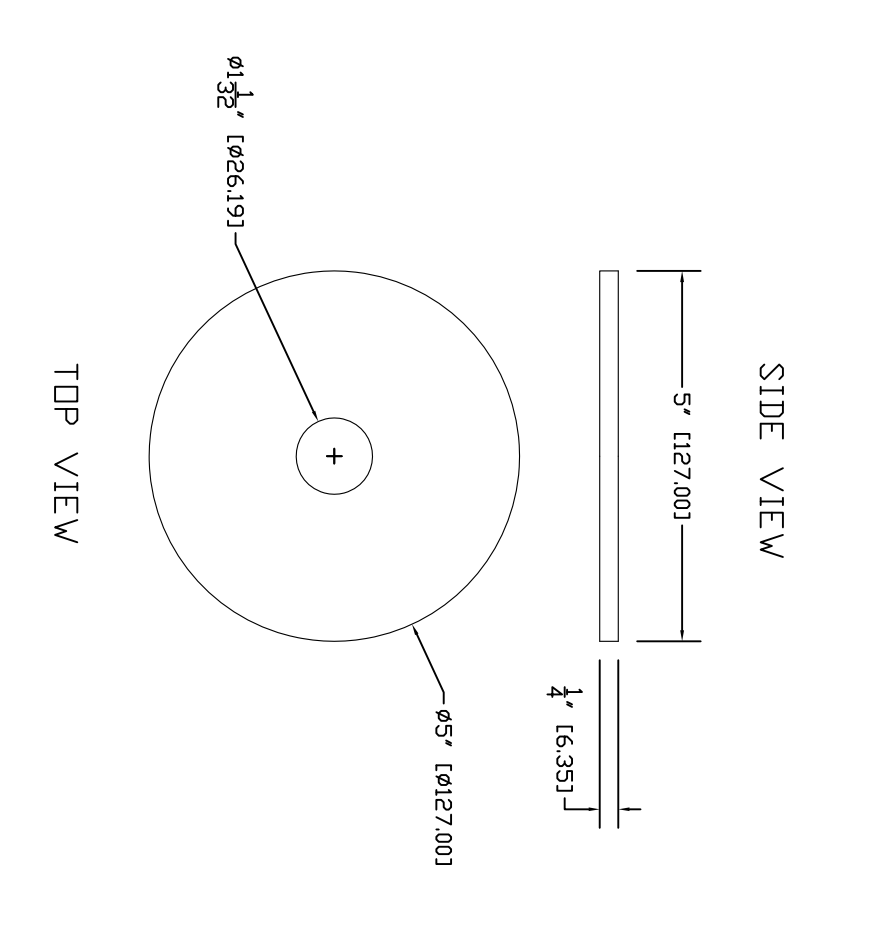
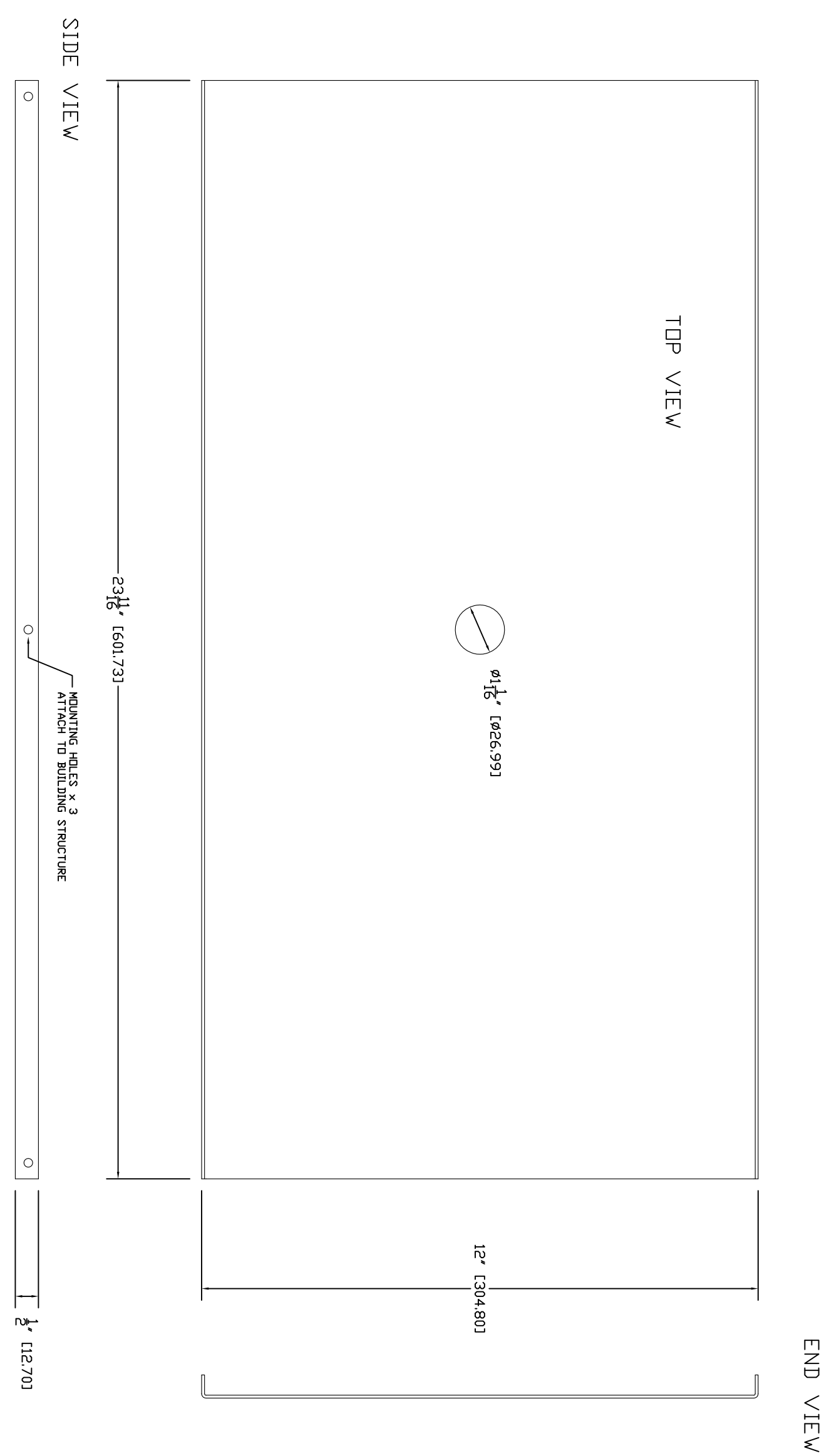
SMALL PLATFORM (USED IN 535-2000-290 & 535-2000-291)



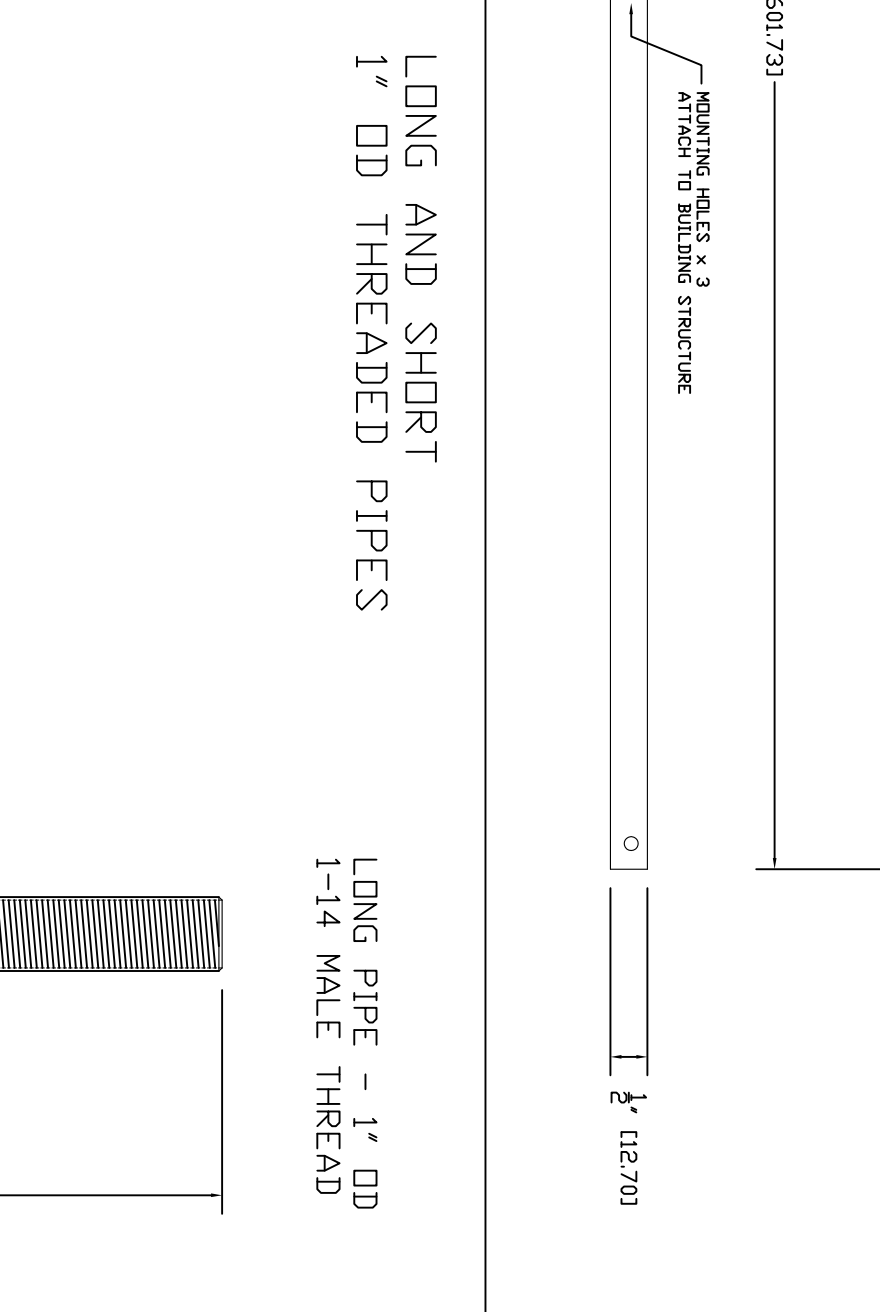
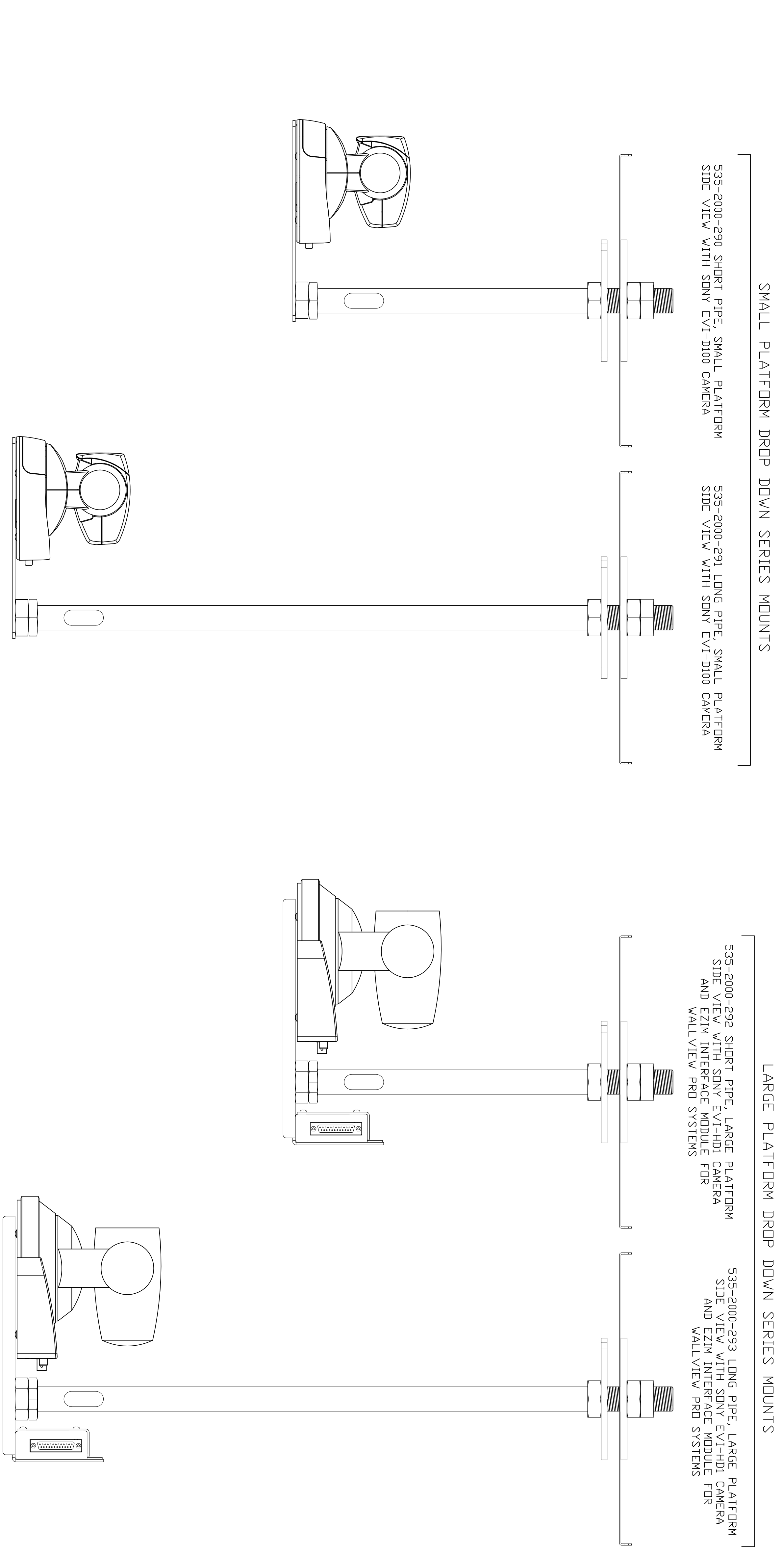
LARGE PLATFORM (USED IN 535-2000-292 & 535-2000-293)



TILE SUPPORT BRACE



PRODUCT CONFIGURATIONS AND PART NUMBERS



VADIA		MODEL: 535-2000-290-293	
DROPP DOWN SERIES MOUNTS		DATE: 04/06/2008	
PART NUMBERS: 535-2000-290, 535-2000-291, 535-2000-292 & 535-2000-293		SCALE: 1:1	
DRAWN BY: RAR		REV: LARGE	
CHECKED BY: RAR		APP: B	
DATE: 04/06/2008		SHEET: 1 OF 1	
THIS DRAWING INCLUDES ALL MATERIALS AND FINISHES UNLESS OTHERWISE SPECIFIED. ALL DIMENSIONS ARE IN INCHES UNLESS OTHERWISE SPECIFIED. ALL DIMENSIONS ARE TO CENTER UNLESS OTHERWISE SPECIFIED. ALL DIMENSIONS ARE TO CENTER UNLESS OTHERWISE SPECIFIED. ALL DIMENSIONS ARE TO CENTER UNLESS OTHERWISE SPECIFIED.			
© 2008 VADIA CORPORATION. ALL RIGHTS RESERVED.			