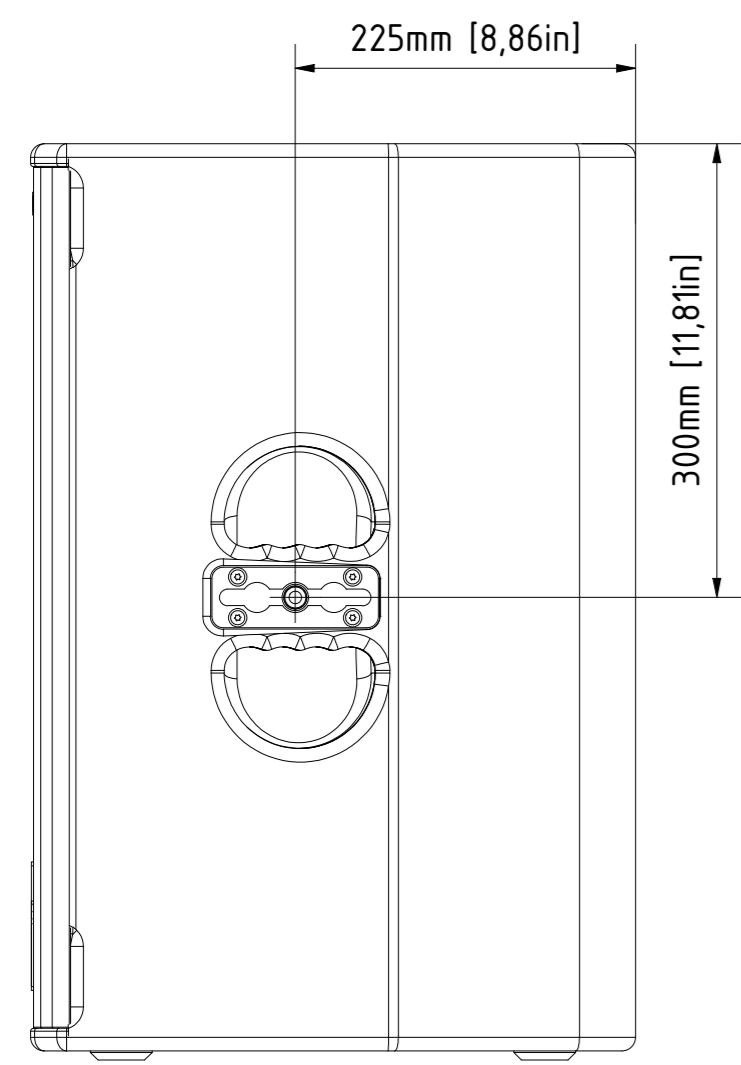
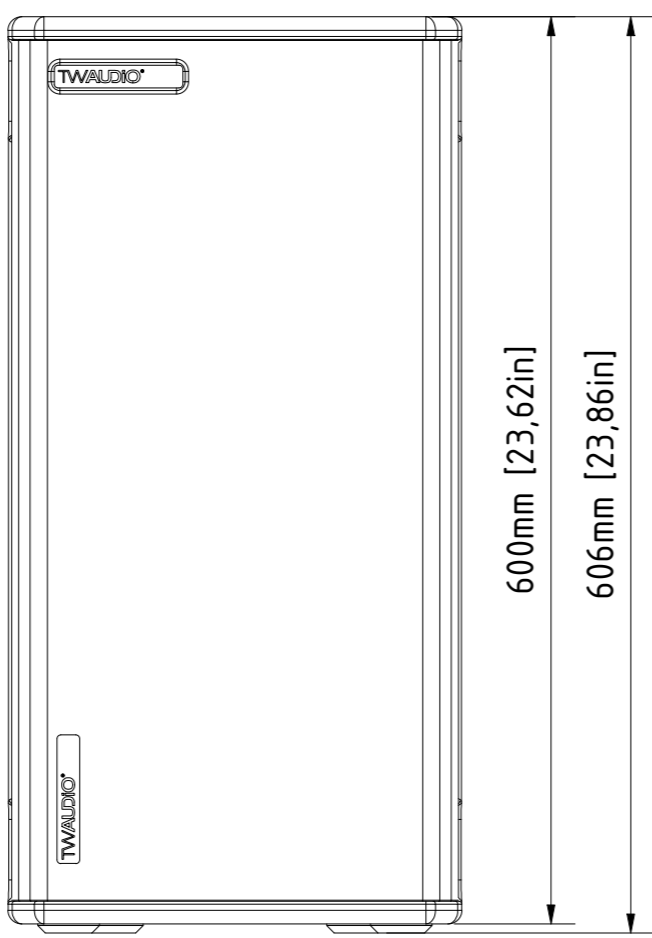


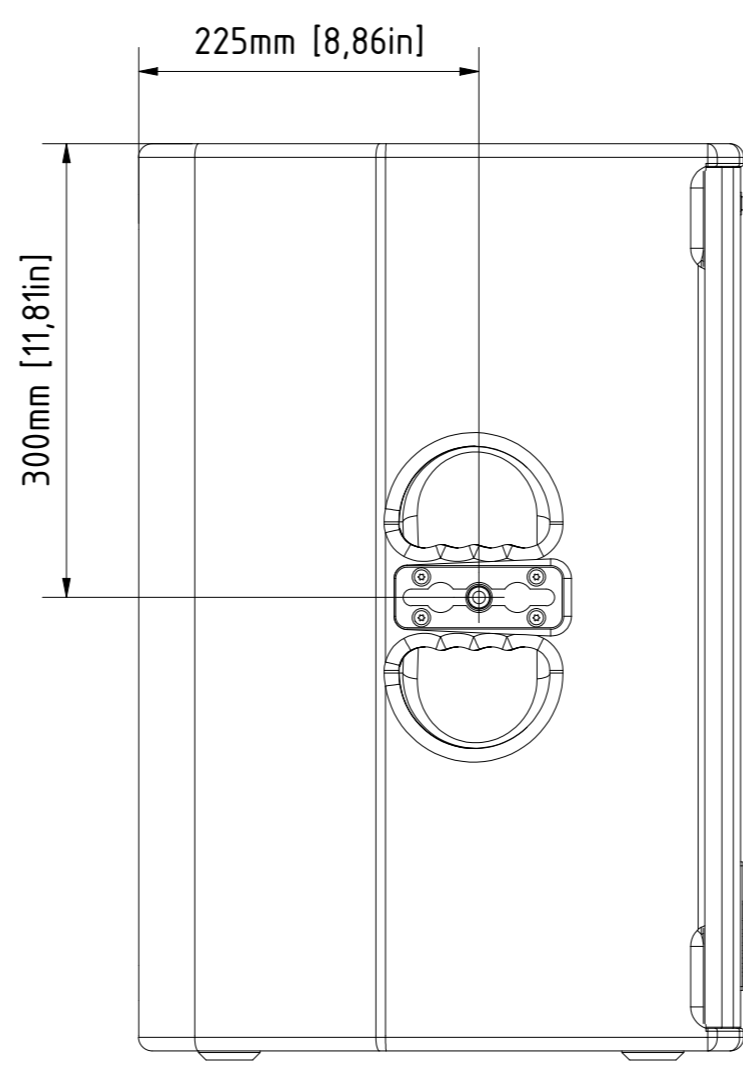
bottom view



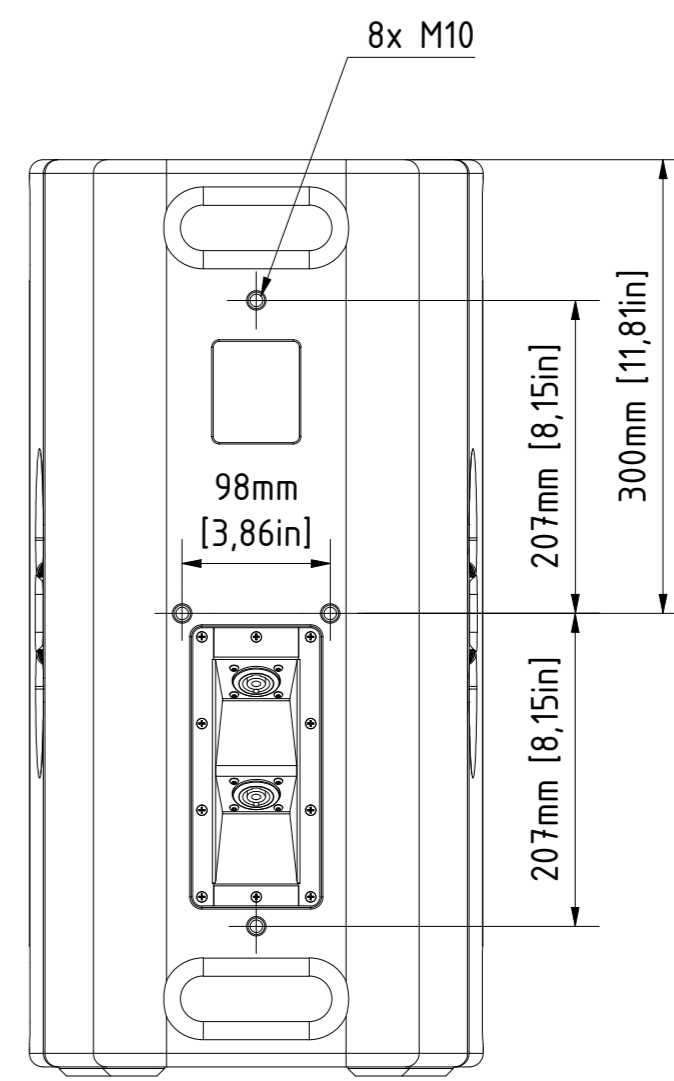
right view



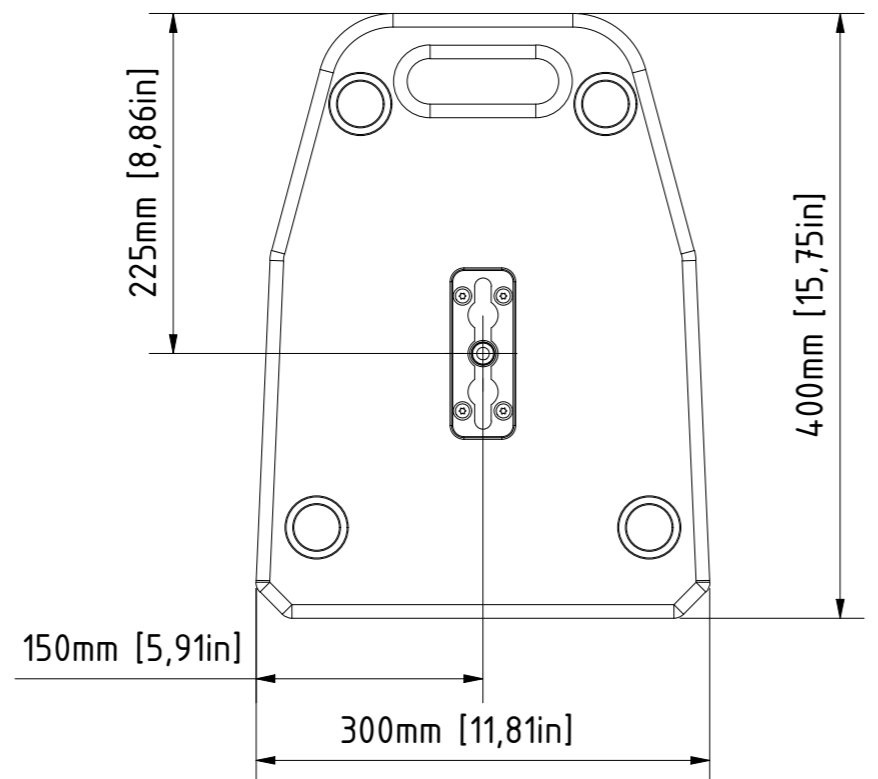
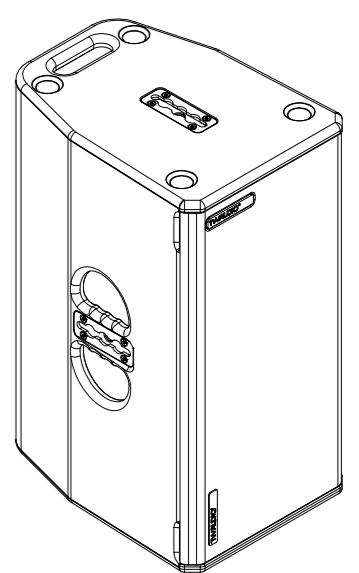
front view



left view



rear view



top view

| 0 | | | 06.05.2019 | Heike Konrad |
|---|-------------|--|--|--|
| rev. no. | description | revision process | date | modified by |
| | | | | |
| TWAUDIO Osterholzallee 140-2 71636 Ludwigsburg www.twaudio.de | | scale: weight: 22 kg [49 lbs] | | |
| All rights to this drawing reserved in accordance with ISO 16016. Copying and distribution by manufacturer's permission only. | | document type: overview drawing status type: released | order number: 2925 type: T20 | |
| general tolerance ISO 2768-mK ISO 13920-BF ISO 9013-IIA/K according to ISO 8015 | | edges according to ISO 13715 surfaces (Ra) array 2 array 3 according to ISO 1302 | date: 14.12.2015 name: B. Letzgus date: 11.03.2015 name: Stefan Ullrich | drawing number: TWA-T20-0001 revision no.: 0 sheet: 1 of 1 AZ |
| <small>C:\CAD TW AUDIO\CAD-Daten\Produkt\T20\T20_kpl.dwg</small> | | | | |