

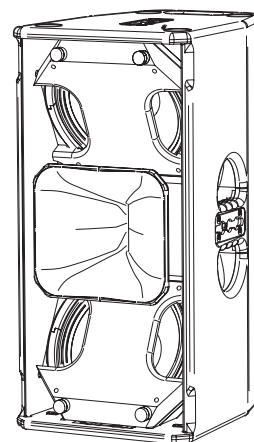
The T20 has been finely honed to meet the high expectations of our customers.

A slim, compact top measuring 30 cm (11.8 in) wide and comprising two 10" woofers and a 1.4" mid-high section, the T20 boasts a symmetrical design that makes it ideal for use both horizontally and vertically. Within the enclosure, a sophisticated driver array and passive crossover mean the T20 achieves constant directivity across both planes.

However, its potential is fully realized when oriented horizontally, perhaps for use as a front- or drum-fill. In this configuration, the performance of most two-way enclosures is compromised, but the T20 remains entirely consistent.

Other applications for the T20 include use as a center channel or in installations where ceiling height is a challenge. Should a longer, narrower application be required, the standard 90° × 50° high range horn can easily be rotated or changed to a 60° × 40° variation within seconds, all without the need for tools.

Whether working in full-range, standalone mode, with a subwoofer or in conjunction with vertical arrays, the T20 has the power to exceed your expectations in every environment.



## Key Features

- » Compact installation loudspeaker with symmetrical driver arrangement.
- » Equipped with 2 × 10" long excursion chassis and a 1.4" compression driver.
- » 90° × 50° or 60° × 40° rotatable constant directivity HF horn.
- » Horizontal and vertical installation with symmetrical dispersion possible.
- » Integrated mounting threads for numerous installation possibilities.
- » Coherent phase response with all TWAUDIÖ subwoofers.
- » Operation with dedicated TWAUDIÖ presets on Lab.gruppen or Powersoft series.

## Applications

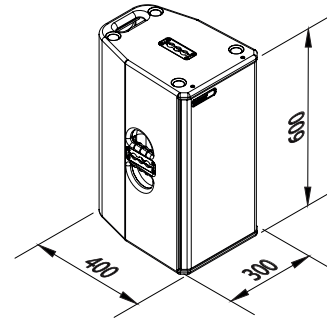
- » Full-range, standalone or with a subwoofer
- » Drum-fill or front-fill in horizontal mode
- » Side-fill in conjunction with vertical arrays

TWAUDIÖ GmbH  
Osterholzallee 140-1  
71636 Ludwigsburg  
Germany

Tel.: +49 7141 488989-0  
Fax: +49 7141 488989-99  
Mail: info@twaudio.com

## Technical Data

Drivers	2 x 10" LF   1 x 1.4" HF
Frequency range	60Hz - 18000Hz
Power capacity program/peak	1000/2000W
Impedance	8 Ω
Coverage (h x v)	90° x 50°   60° x 40° optional
Sensitivity 1W / 1m	106dB
SPL max / 1m	138dB
Connection	speakON™ NL4 1±
Dimensions (H x W x D)	600 x 300 x 400mm   23.6 x 11.8 x 15.8in
Weight	21.8kg   48.1lbs
Finish	Warnex texture paint, RAL colors optional
Accessories	CaseT20, CoverT20, QBT20, SBT20, URA20

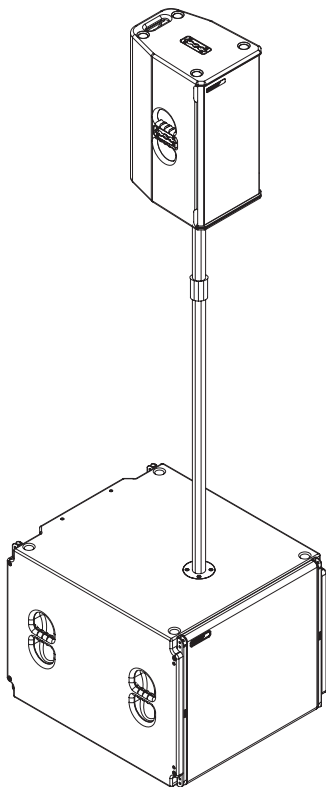


## System Proposals

PRESETS AVAILABLE FOR

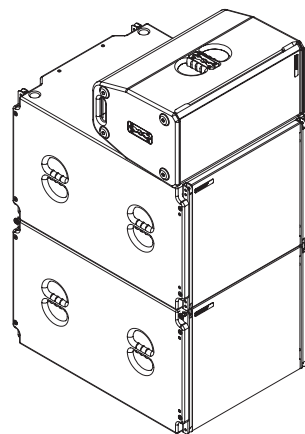


**LAB.GRUPPEN**



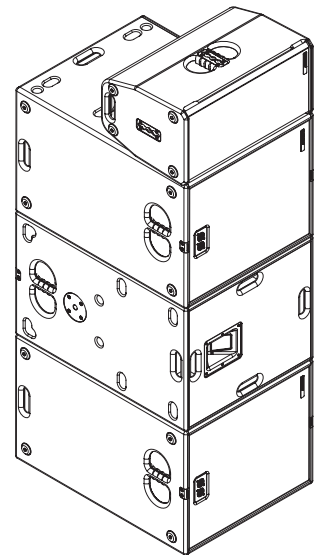
**DELAY LINE**  
3 AMPLIFIER CHANNELS

1 x T20  
1 x VERA S33  
1 x DISST



**LOW PROFILE DRUM MONITORING**  
3 AMPLIFIER CHANNELS

1 x T20  
2 x VERA S32



**CARDIOID SUB ARRAY FRONT FILL**  
3 AMPLIFIER CHANNELS

1 x T20  
3 x B18