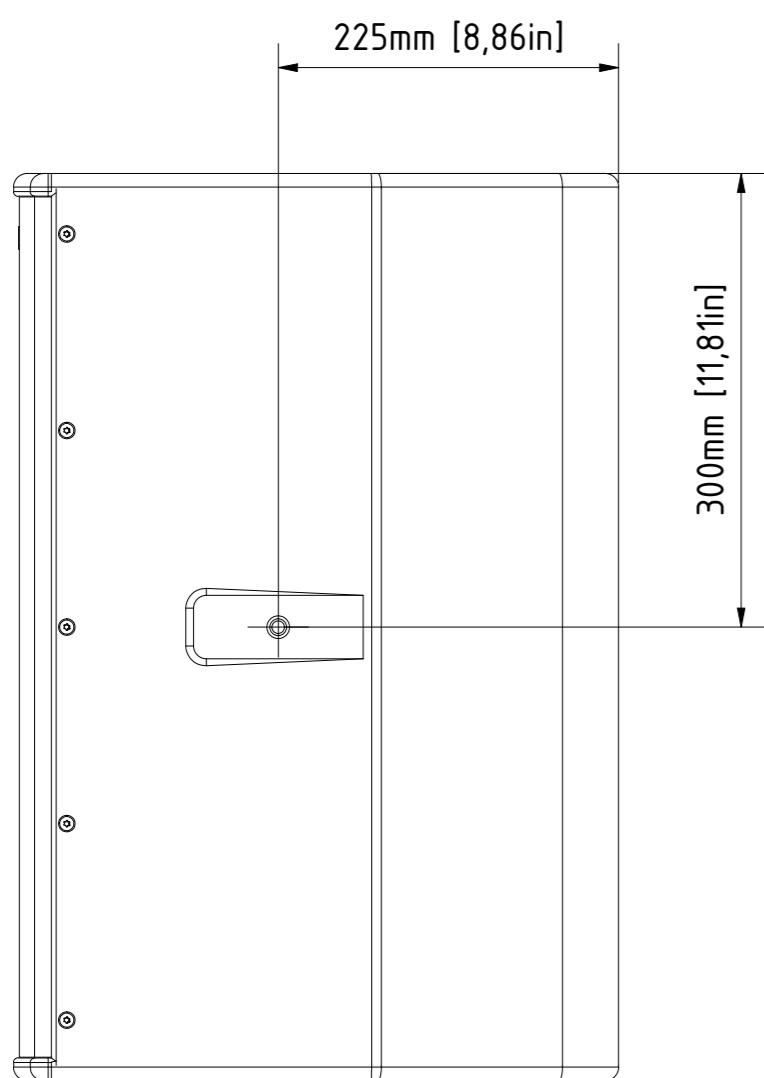
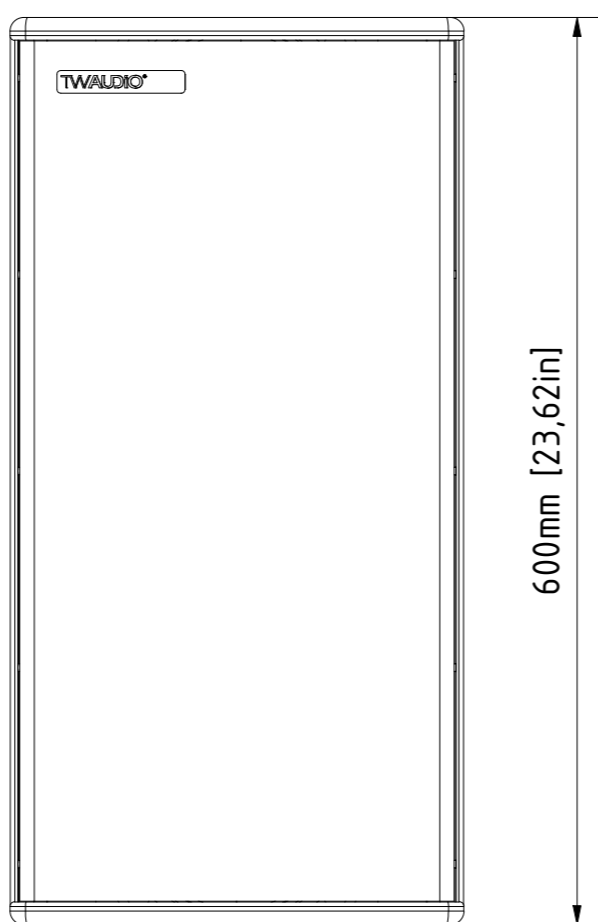


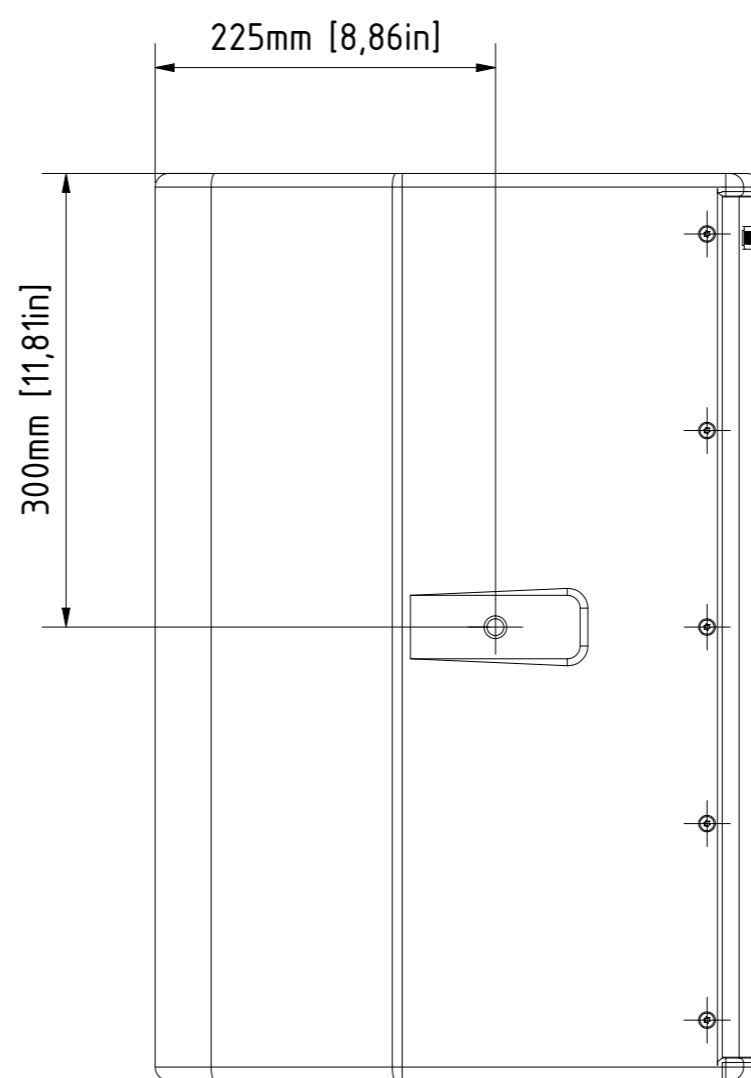
bottom view



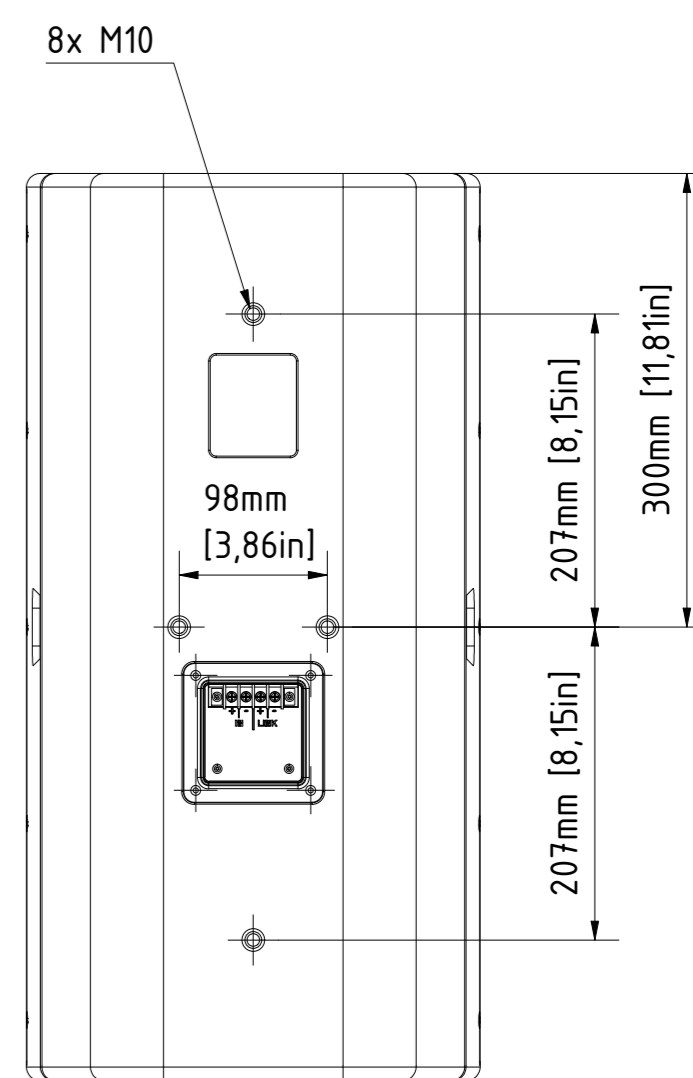
right view



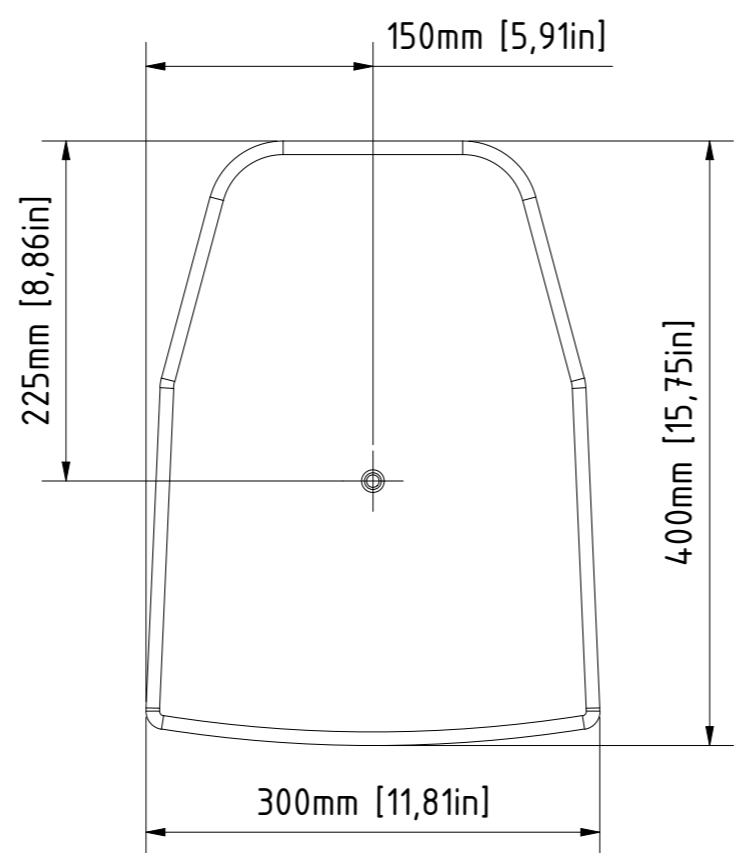
front view



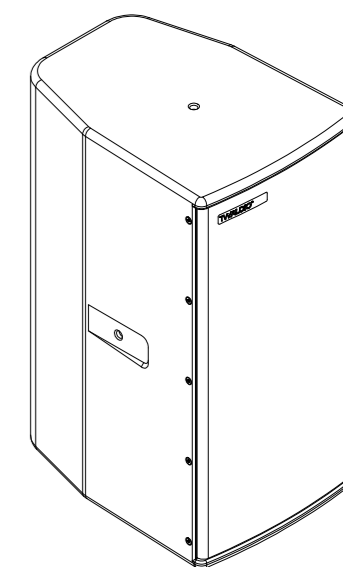
left view



rear view



top view



| | | | |
|---|--|---|---|
| 0 | | 06.05.2019 | Heike Konrad |
| rev. no. | | date | modified by |
| revision process | | | |
| TWAUDIO Osterholzallee 140-2 71636 Ludwigsburg www.twaudio.de | | scale: weight: 22 kg [49 lbs] | order number: |
| All rights to this drawing reserved in accordance with ISO 16016. Copying and distribution by manufacturer's permission only. | | document type: overview drawing | type: T20i |
| general tolerance ISO 2768-mK ISO 13920-BF ISO 9013-IIA/K according to ISO 8015 | | status type: released | drawing number: TWA-T20i-0001 |
| edges according to ISO 13715 surfaces (Ra) array 2 array 3 DIN ISO 1302 | | date 05.08.2016 | name B. Letzgas |
| checked: 06.05.2019 Heike Konrad | | date 16.02.2017 | name Heike Konrad |
| approved: 06.05.2019 Heike Konrad | | date 06.05.2019 | name Heike Konrad |
| C:\CAD\TWAUDIO\CAD-Daten\Produkt\T20i\T20i_kpl.dwg | | revision no.: 0 | sheet: 1 / AZ |