



The **PROJECTOR LIFT SI-H 40 HC** is studied in order to support large and heavy Professional and Home Cinema video projectors up to 30 Kg. of weight. The lift has been developed to be installed inside a very narrow false ceilings of only 14 cm. granting the best aesthetic and practical solution in hiding the projector, lift and cables.

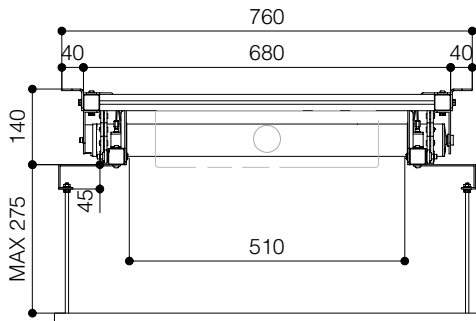
The SI-H 40 HC is supplied with a powered and extremely silent motor that allows a descent from a minimum of 14 cm to a maximum of 54 cm.

Moreover it is supplied with extendable side brackets in order to allow an easy fixing of the panel of your false ceiling by adjustable threaded bars.

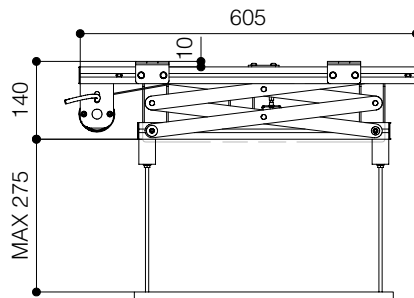
The lift SI-H 40HC is equipped with two **safety screws** which prevents the lift to extent further to the preset end stop.

* Ceiling cover plate is not included

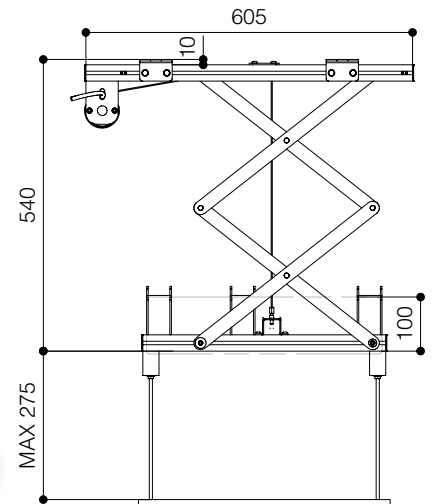
Frontal view closed



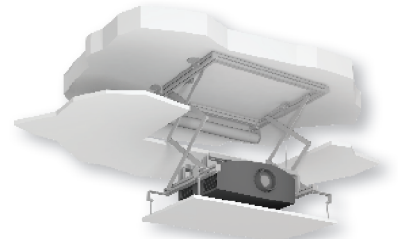
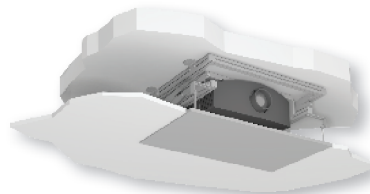
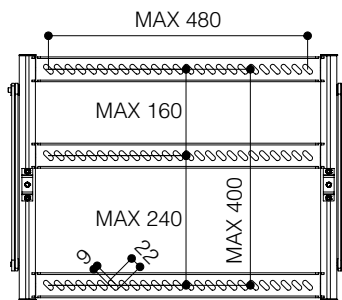
Side view closed



Side view open



Maximum size fixing points projector



Optionals:

- Ceiling tile holder (details p. 64)
- Kit RF remote control with external receiver (details p. 62)
- Interface switch 12 volt (details p. 63)
- Low voltage contact interface (details p. 62)

TECHNICAL SPECIFICATIONS

POWER SUPPLY	220-230V - 50HZ
MAXIMUM CONSUMPTION	184 W
TORQUE	20 Nm
MOTOR SPEED	17 rpm
MINIMUM DIMENSIONS LIFT CLOSED	680x140x605 (WxHxD in mm)
DIMENSIONS LIFT OPENED	680x540x605 (WxHxD in mm)
MAXIMUM SIZE FIXING POINTS PROJECTOR	480x400 (WxD in mm)
MAXIMUM SIZE OF PROJECTOR	510x510 (WxD in mm)
MAXIMUM LOAD	30 Kg
NET WEIGHT OF THE PROJECTOR LIFT	12 Kg
CABLE MANAGEMENT SYSTEM INCLUDED	

Warranty: 5 years on the motor - 24 months on the other components

