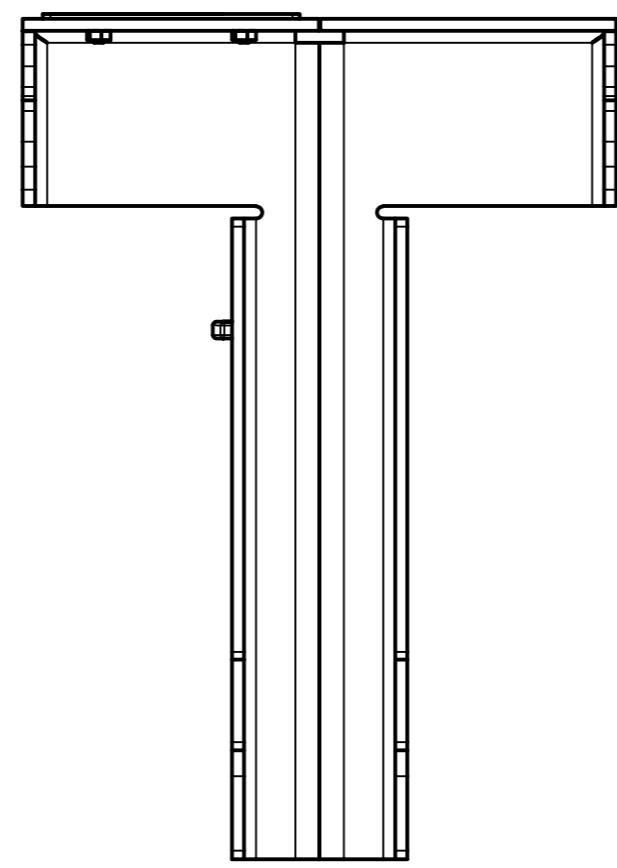
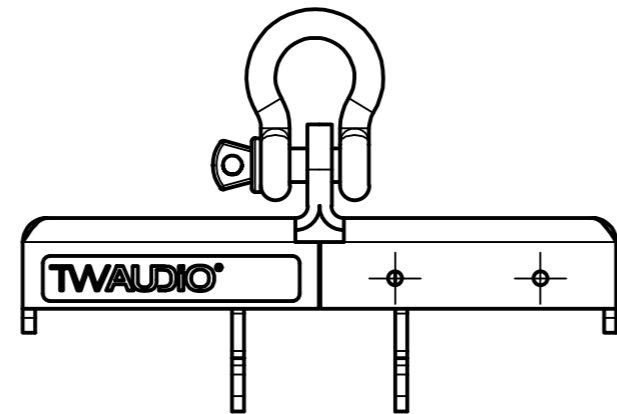


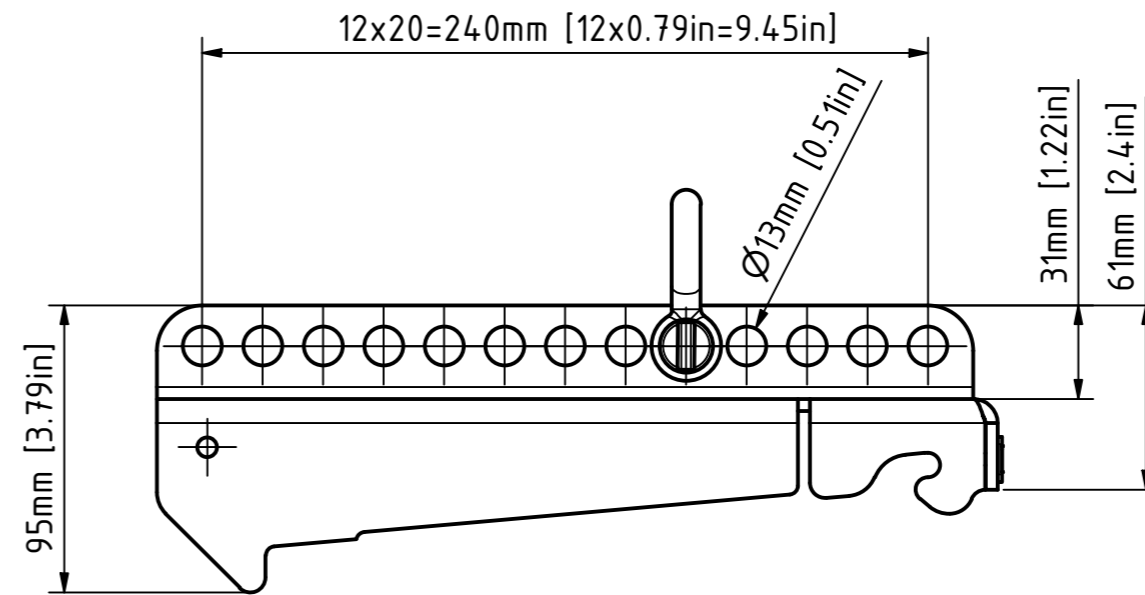
right view



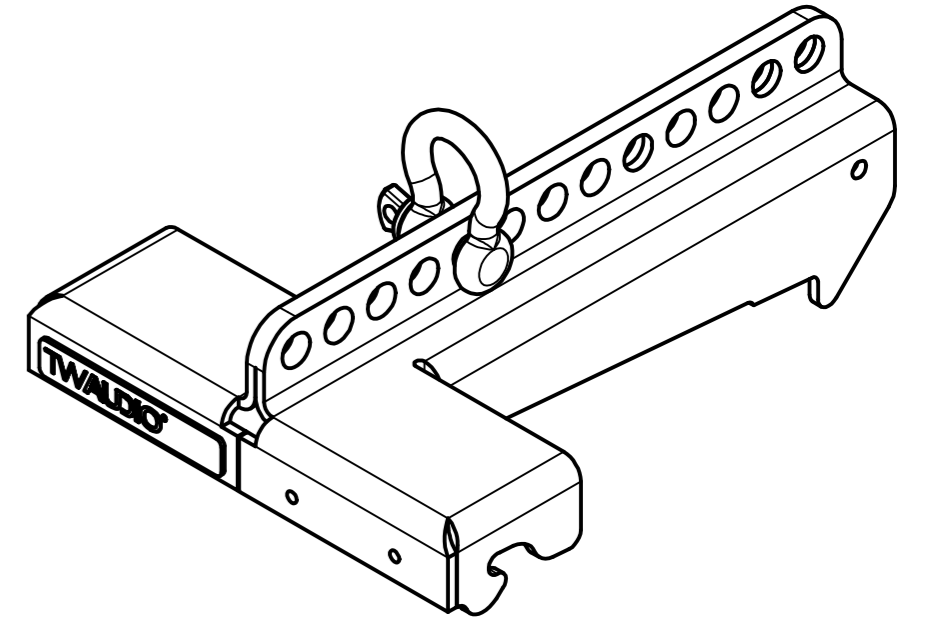
bottom view



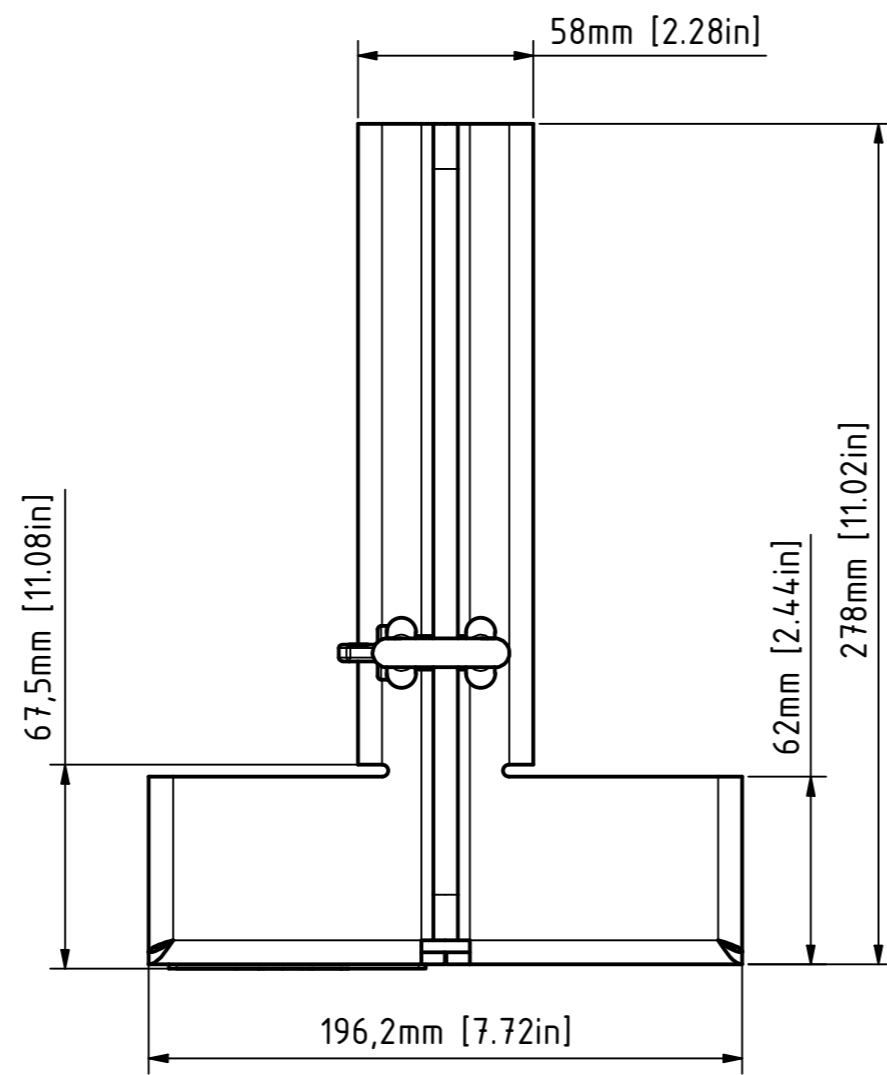
front view



left view



rear view



top view

1	Address modified		09.12.2021	Heike Konrad
rev. no.		description	date	modified by
<b>revision process</b>				
<b>TWAUDIO</b> Karl-Hofer-Str. 42 14163 Berlin www.twaudio.de		scale: 1:2,5 weight: 2,0 kg [4.4lbs]	order number:	
All rights to this drawing reserved in accordance with ISO 16016. Copying and distribution by manufacturer's permission only.		document type: overview drawing	type:	
general tolerance: ISO 2768-mK, ISO 13920-BF, ISO 9013-IIA/K according to ISO 8015		status type: released	Smallframe E6 SFE6	
edges according to ISO 13715 surfaces (Ra) array 2, array 3 according to DIN ISO 1302		date: 21.10.2020 name: S. Freudenberger	date: 22.10.2020 name: Heike Konrad	revision no. sheet: 1   1
checked: approved: 09.12.2021 Heike Konrad		drawing number: TWA-SFE6-0001	Az	
C:\CAD\TWAUDIO\CAD-Daten\Zubehoer\3Dgppg-ELLAS\SFE6\SFE6.kpl iam				