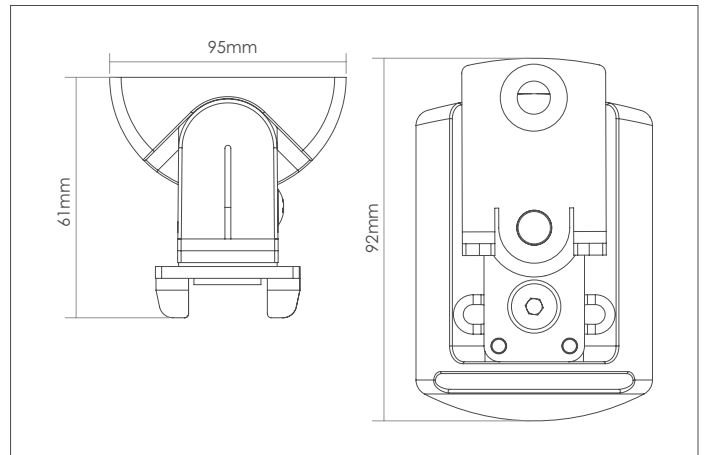




Flexible and functional wall mount to perfectly position the speaker. Includes tilt and swivel adjustment to perfectly angle the sound.

- Bespoke design securely holds the Denon Home 150
- Has a unique tilting mechanism (down 24°) plus can swivel up to 78° (39° left, 39° right), so you can perfectly angle your speaker
- Precision engineered. Quick and easy to fit
- Can be inverted to securely hold the speaker upside down - so its controls are easily accessible if mounting higher up the wall
- Can be placed in a Landscape orientation where installation dictates the space needed
- High grade-steel and ABS construction
- Available in black or white to match the Denon Home 150
- Designed and manufactured in the UK



	White:	Black:		
Product Code	SDXDH150WM1011	SDXDH150WM1021		
UPC Number	5057964001937	5057964001944		
UK, European and US (SRP)	£44.99	€54.99	\$59.99	
Millimetres / Kilograms	Height	Width	Depth	Weight
Product Size	92	95	61	0.2
Millimetres / Kilograms	Length	Width	Height	Weight
Retail Carton	98	68	70	0.25
Carton Contents	1 x Wall Mount and Instructions			
Outer Carton Quantity	4	Country of Manufacture		UK

+44 (0)1256 378550 premiumaudio@exertis.co.uk
Marketing Assets: www.brandfolder.com/soundxtra