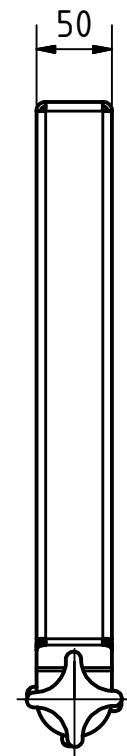
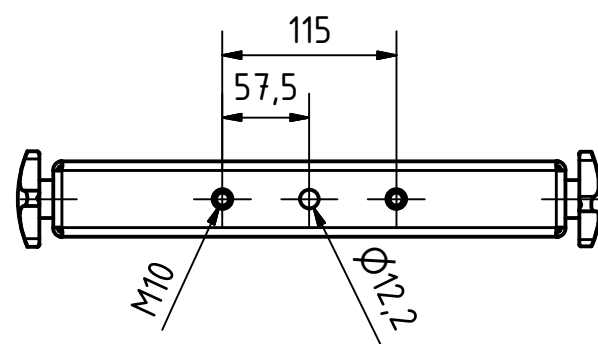


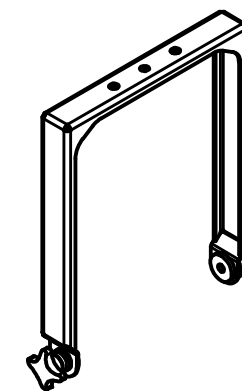
front view



side view



top view



0			
rev. no.		description	date modified by
revision process			
<b>TWAUDIO</b> Osterholzallee 140-2 71636 Ludwigsburg www.twaudio.de	scale:	1:5 (1:10)	
	weight:	3,0 kg	
All rights to this drawing reserved in accordance with ISO 16016. Copying and distribution by manufacturer's permission only.	document type:	overview drawing	order number: SBT20
	status type:	released	type: Swivel Bracket
general tolerance ISO 2768-mK ISO 13920-BF ISO 9013-IIA/K according to ISO 8015	edges according to ISO 13715		
	surfaces (Ra) array 2 array 3 DIN ISO 1302		
	constructed:	23.03.2015	Stefan Ullrich
	drawn:	12.04.2017	Heike Konrad
	checked:		
	approved:		
C:\CAD_TW_AUDIO\CAD-Daten\Zubehör\Schwenkbruegel\SBT20\SBT20.iam		drawing number:	TWA-SBT20-0001
	revision no.:	0	sheet: 1   1 A3