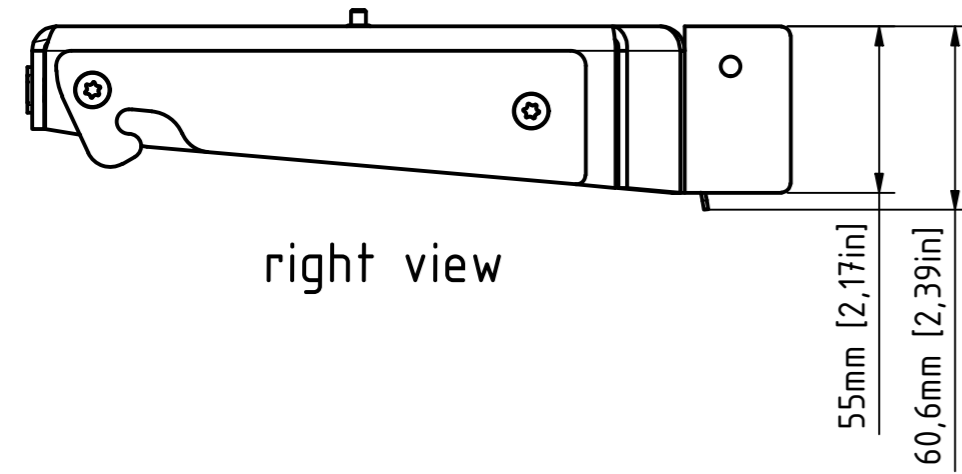
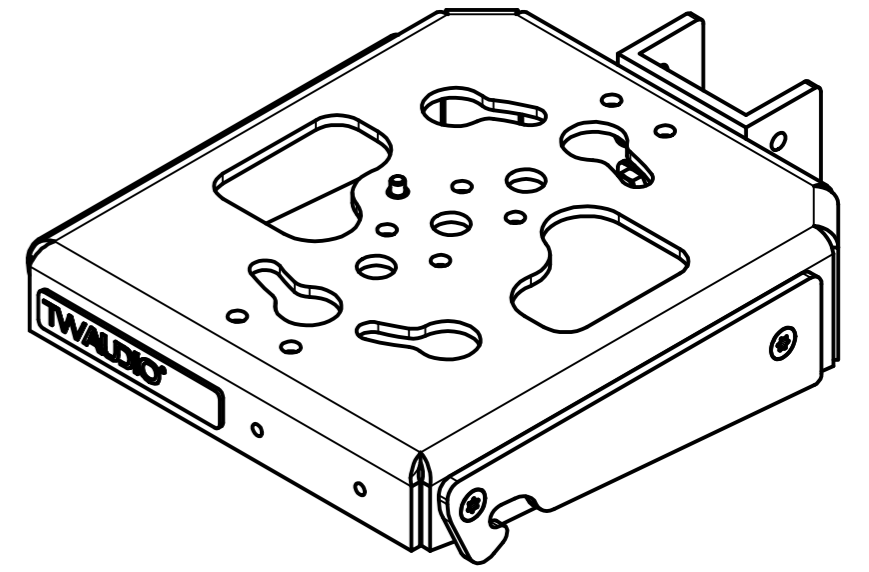
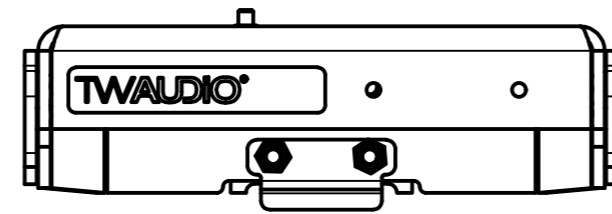


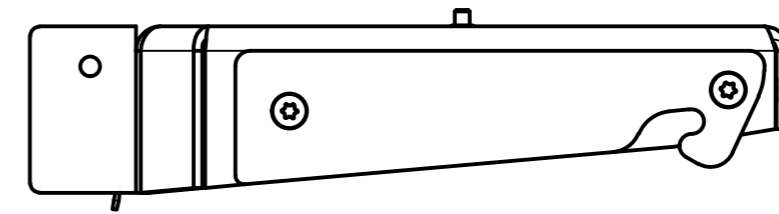
bottom view



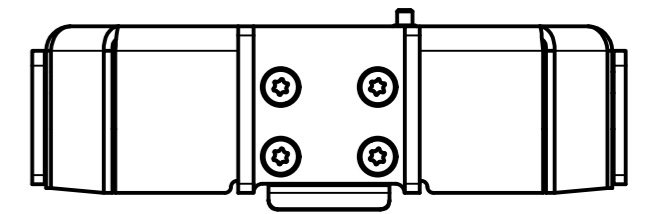
right view



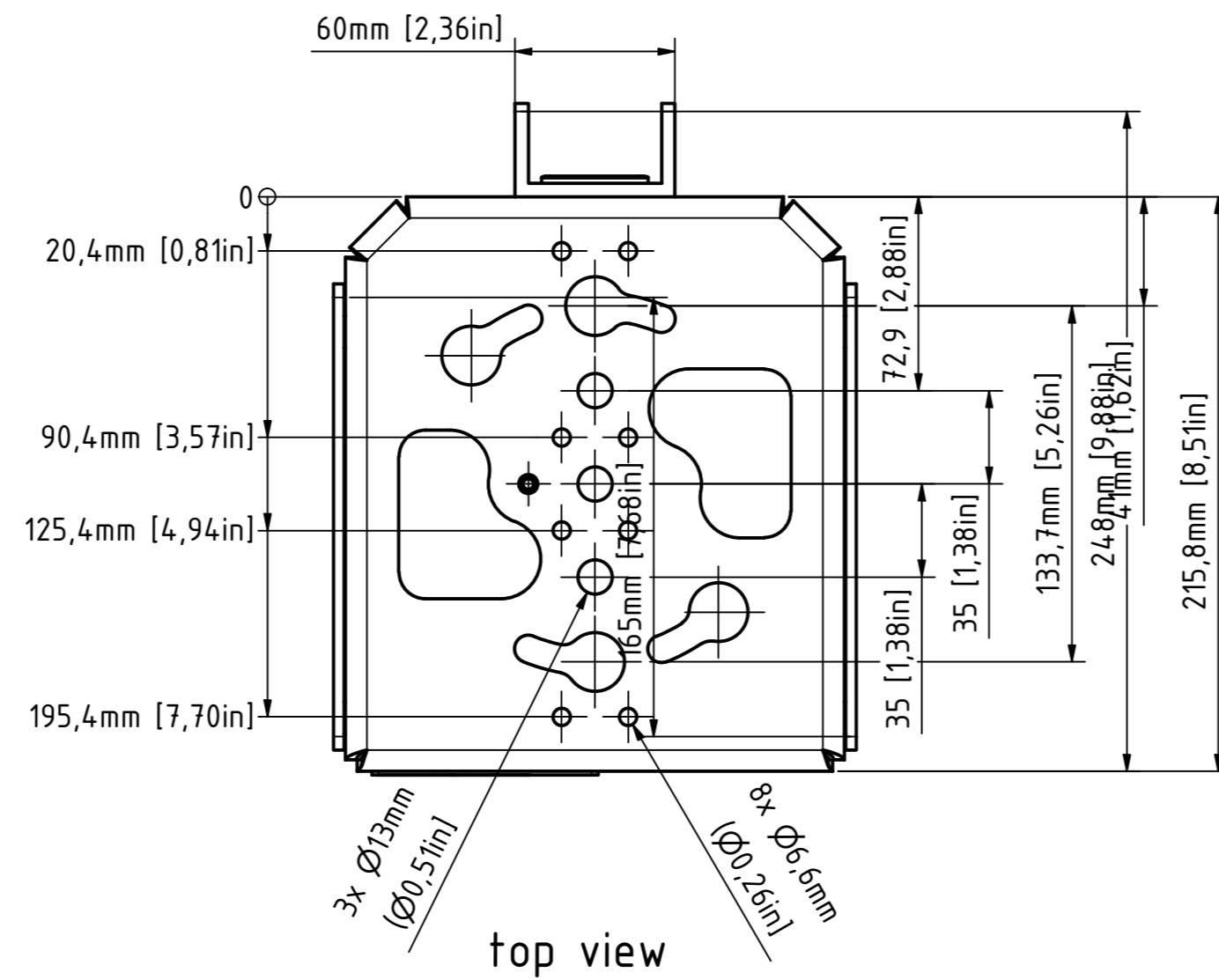
front view



left view



rear view



top view

1	Address modified	09.12.2021	Heike Konrad
rev. no.	description	date	modified by
revision process			
TWAUDIO Karl-Hofer-Str. 42 14163 Berlin www.twaudio.de		scale: 1:2,5 weight: 2,4 kg [5.3lbs]	order number:
All rights to this drawing reserved in accordance with ISO 16016. Copying and distribution by manufacturer's permission only.		document type: overview drawing status type: released	type: Riggingplate E6 - RPE6
general tolerance: ISO 2768-mK ISO 13920-BF ISO 9013-IIA/K according to ISO 8015	edges according to ISO 13715 surfaces (Ra): array 2 array 3 according to ISO 1302	date: 12.09.2019 name: Heike Konrad checked: 09.12.2021 approved: Heike Konrad	drawing number: TWA-RPE6-0001 revision no.: 1 sheet: 1 2 Az