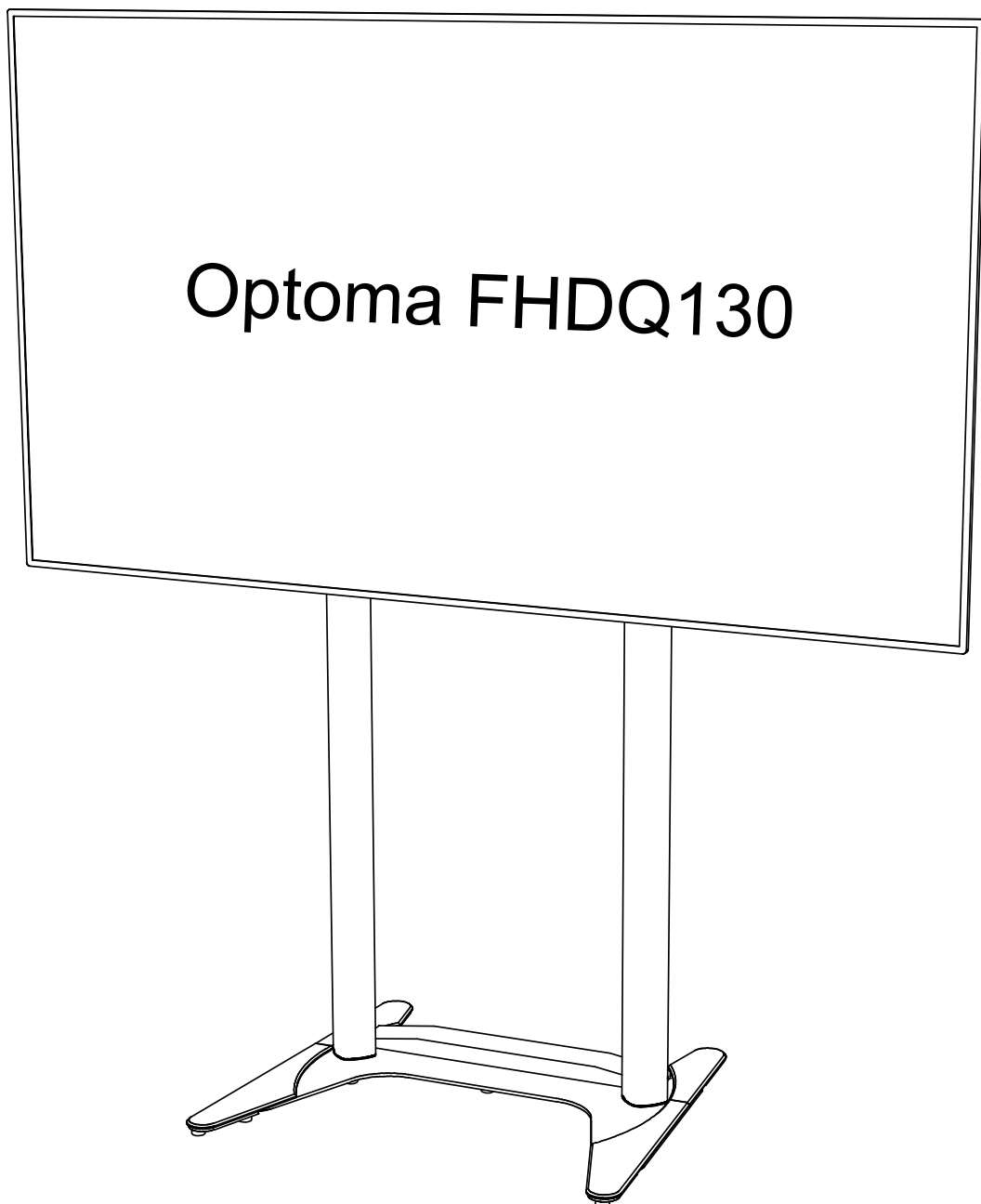




**MEDIA SCREEN**  
BILDKOMMUNIKATION GMBH

instruction manual

***SL MOBILE LED 130***



	<b>CAUTION</b> <b>RISK OF ELECTRIC SHOCK</b> <b>DO NOT OPEN</b>	
<b>WARNING: To reduce the risk of electric shock, do not remove cover.</b> <b>No user-serviceable parts inside. Refer servicing to qualified service personnel.</b>		

**To reduce the risk of fire or electric shock, do not expose this apparatus to rain or moisture.**

**Dangerous high voltages are present inside the enclosure.**

**Do not open the apparatus. Refer servicing to qualified personnel.**

**Do not place containers with water above the apparatus (including on shelves above, etc.).**

### **About safety symbols**

Various symbols are used in these operating instructions to ensure safe use, and to protect you and others against the risk of injury and against material damage. The meaning of each of the symbols is explained below.



This symbol indicates information that, if ignored or applied incorrectly, creates the risk of death or serious personal injury.



This symbol indicates information that, if ignored or applied incorrectly, could possibly create the risk of death or serious personal injury.



This symbol indicates information that, if ignored or applied incorrectly, creates the risk of personal injury or material damage.

## Table of contents

1. Safety precautions .....	2
2. Introduction .....	3
3. System components .....	4
4. Operation of the ScreenLifter .....	5
4.1. Features and characteristics of the control unit .....	5
4.2. Unloading the ScreenLifter from the transport case .....	6
4.3. Loading the ScreenLifter into the transport case .....	8
4.4. Lifting and lowering the display .....	8
4.5. Rotating the display .....	9
5. Mounting the display on the ScreenLifter .....	10
6. Appendix .....	12
6.1. Technical Data .....	12
6.2. System dimensions .....	13
6.3. Resetting the lifting mechanism .....	16
6.4. Troubleshooting .....	17

## 2. Safety Precautions



These safety precautions must be observed minutely!  
Inappropriate operation of the system may cause material damage,  
possibly causing harm to the operator and bystanders!



- Carefully read the operating instructions and safety precautions before first set-up.
- Keep the operating instructions for later reference.
- Make sure the local power supply meets the requirements of the ScreenLifter (check type label) before operating the system!
- Manipulation or replacement of any system components may only be carried out by qualified technical personnel approved by the manufacturer or its distributors.
- In case of malfunctions of the ScreenLifter (emission of fumes, unusual noise, etc.) shut off all system components and disconnect all power connections. A moderate smell of oil during lifting or lowering of the screen is caused by warming of the lubricants applied to the mechanical parts of the lifting mechanism, and is not a sign of malfunction.
- Any modification of individual system components, or the ScreenLifter as a whole, is strictly prohibited.
- The ScreenLifter may not be operated in a potentially explosive atmosphere.
- Do not operate the ScreenLifter outdoors. The ScreenLifter may be operated in a dry environment only.
- The maximum weight of the ScreenLifter system (ScreenLifter plus transport case) including a display is approx. 650 kg / 1433 lb\*. When setting up the ScreenLifter, consider the load-carrying capacity and condition of the surface, particularly of stages or other non-permanent constructions.
- Only set up the ScreenLifter on a flat and level surface!
- When moving the screen up, down or rotating, it must be ensured that no objects, cables or body parts are pinched in.
- Different types of display require different corresponding adapter frames. Do not mount a display if you are not in possession of the dedicated adapter frame.
- When opening the transport case, never open the clasps on both lids at the same time. Doing so may cause one lid to fall while lifting off the other.
- The removed case lids must be secured against tipping over. It is best to place them next to each other on the floor, and to close the four clasps that connect the two lids.
- Check all bolted connections before operating the ScreenLifter.
- If you detect parts bent or otherwise damaged, the ScreenLifter must not be operated any longer.
- Never try to carry out repairs of the ScreenLifter! The ScreenLifter may only be serviced by the manufacturer, or trained technicians approved by the manufacturer or its distributors.
- The maximum duration of continuous operation of the lifting mechanism of 4 minutes ON (see type label) must never be exceeded!
- If there is an increased requirement for stability (in case of trade fairs, places frequented by the public, etc.) or if you want to move the lower edge of the display over 130cm, mount the extensions provided in order to increase the base area of the Screenlifter.

## **2. Introduction**

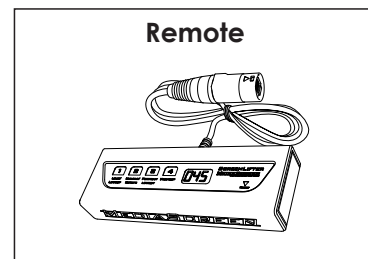
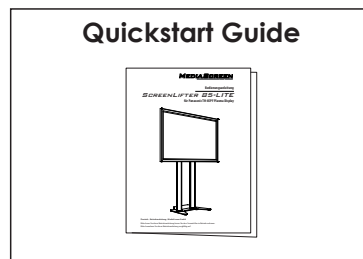
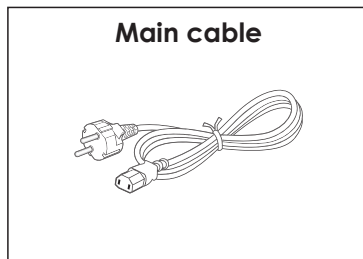
The ScreenLifter system is an integrated storage, transport, and support solution for large-format screens (Plasma, TFT, LED, etc.), substantially reducing manual labor during transport and installation.

Once you have attached the display, the ScreenLifter system takes care of transporting, positioning, lifting, and lowering your display. With the ScreenLifter you can even rotate your Display into portrait orientation.

The lifting mechanism of the ScreenLifter is not designed for continuous operation exceeding the duty cycle of 2 minutes ON/18 minutes OFF.

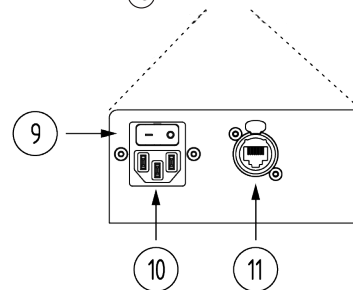
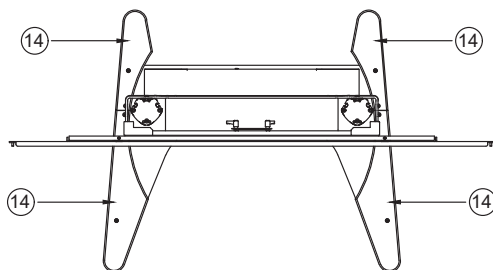
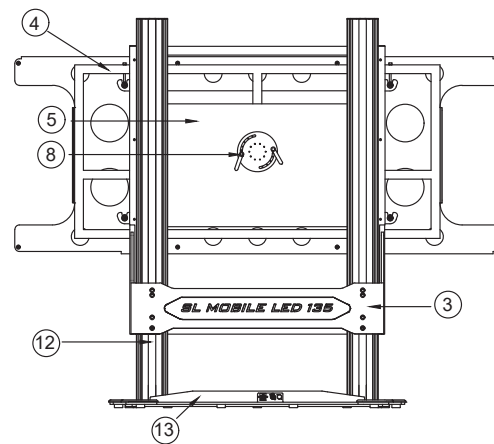
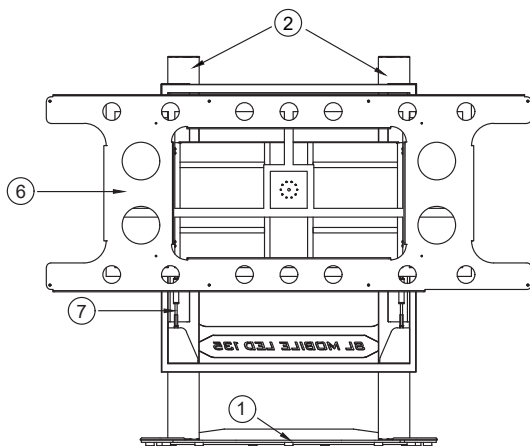
## **Accessories**

Check if you have received these accessories:



### 3. System components

- 1 Screenlifter Base
- 2 Lifting columns
- 3 Column bracket
- 4 Display Frame
- 5 Sliding rail and slide bearing
- 6 VESA-Plate
- 7 Gas spring
- 8 Clamping lever for rotary movement
- 9 ON/OFF switch
- 10 Power outlet
- 11 Control panel connector
- 12 Lifting column runner
- 13 Type label
- 14 Extension of the base plate



## 4. Operating the ScreenLifter

### 4.1. Features and function of the control unit

The ScreenLifter is operated via a wired remote control. The connection socket for the remote control is located on the back of the base plate.

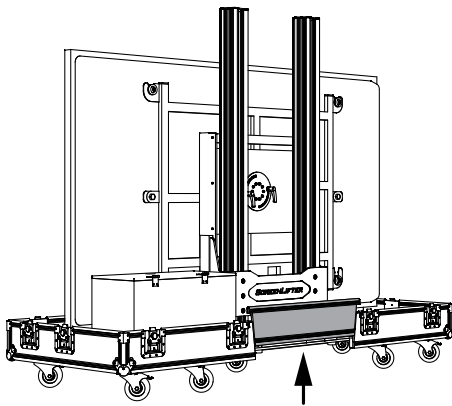
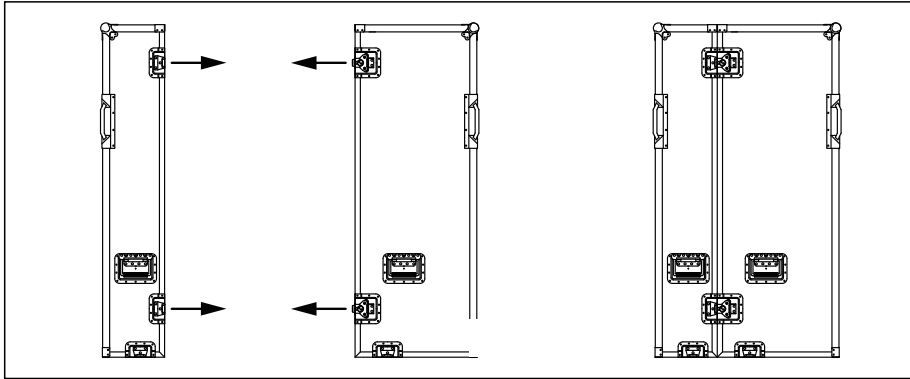


During operation of the lifting mechanism, the duration of operation of the motors is monitored by the control unit. To protect against overheating, the control unit switches off the lifting mechanism after continuous operation of max. 2 minutes. In this case, wait 18 minutes. After the cooling time, you can put the lifting mechanism back into operation.

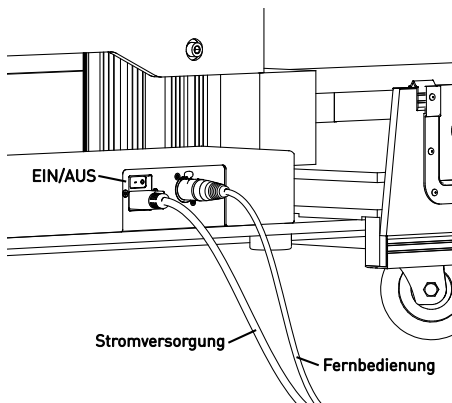
In rare cases, a vertical offset may occur between the rotors of the two lifting columns during operation. As long as the ScreenLifter is connected to the power supply, a possible offset is detected by the control unit and automatically corrected. However, if an offset occurs while the ScreenLifter is disconnected from the power supply, e.g. during storage or transport, a reset must be performed (see section 6.3).

4.2. Unloading the ScreenLifter from the transport case

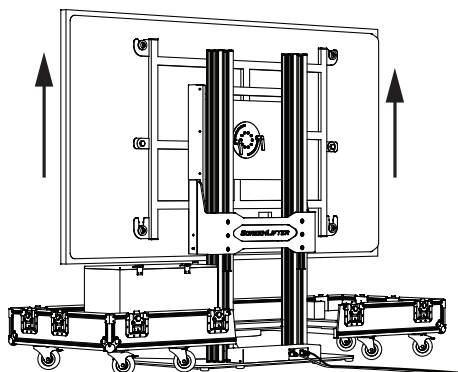
1. Remove the covers from the transport case. Secure the lids by placing them next to each other and closing the top of the lids.



2. Now slide the ScreenLifter with the rolling board to the desired position and remove the small insertion panel on the back of the base plate.



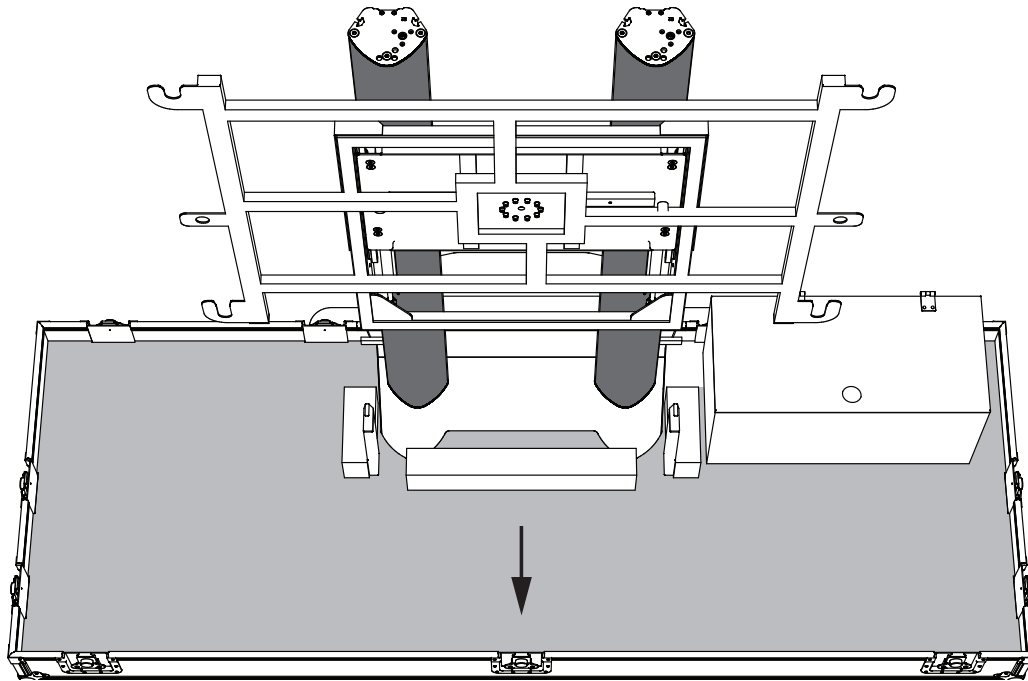
3. Connect the power cable to the power supply of the Screenlifter (230V/50Hz) and switch it on. The Display of the remote shows "15."



4. Press and hold the "2" button on the remote control to lower the base plate and lift the column frame from the bracket. Move the screen up until there is enough space between the bottom of the display and the case.

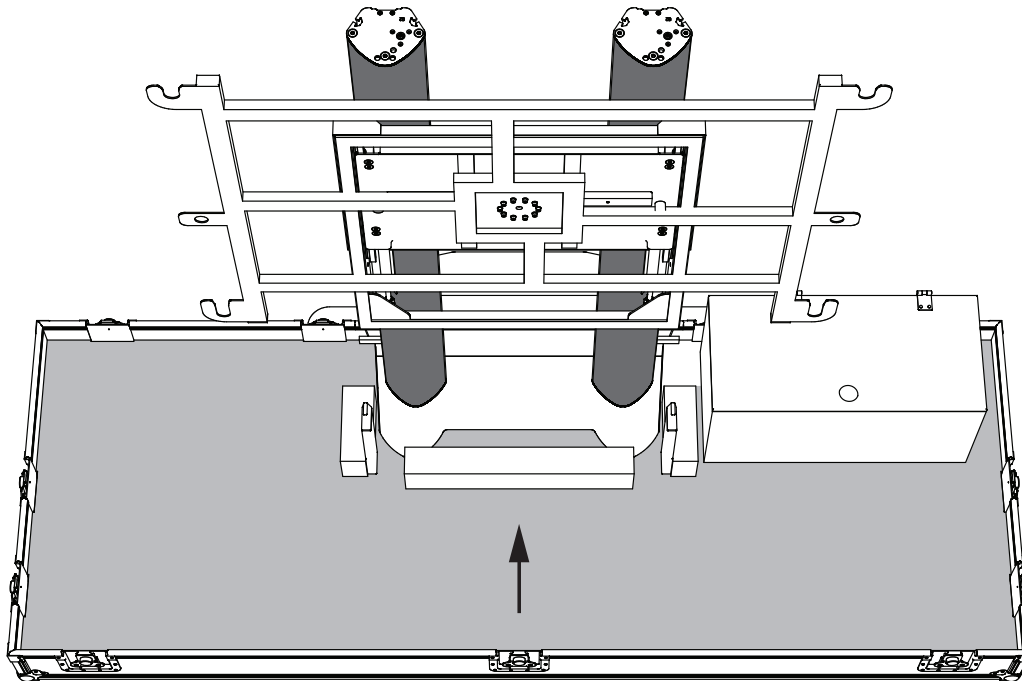


5. Pull the rolling board forward under the screen.



### 4.3. Loading the ScreenLifter into the transport case

1. Make sure that the screen is horizontal.
2. Press and hold the "2" button to move the screen to the correct height for loading into the transport case.
3. Push the rolling board from the front to the stop under the screen (see figure 1 on page 9). Hold the rolling board in position.



4. Press and hold the "1" button to lower the screen to the recording position and lift the bottom plate of the ScreenLifter from the ground.
5. Switch off the ScreenLifter and remove the remote control. Disconnect the power supply and insert the small insertion board. The ScreenLifter is now securely anchored to the skateboard and ready for transport.

### 4.4. Raising and lowering the screen

**When operating the ScreenLifter, make sure there is sufficient distance to other objects, ceilings, persons, etc.**

**The maximum continuous operating time of the lifting mechanism of 2 minutes must under no circumstances be exceeded! Before restarting the lifting mechanism, allow it to cool down for 18 minutes.**

Use the "1" and "2" buttons to adjust the screen height according to your preferences.

#### 4.5. Rotating the screen

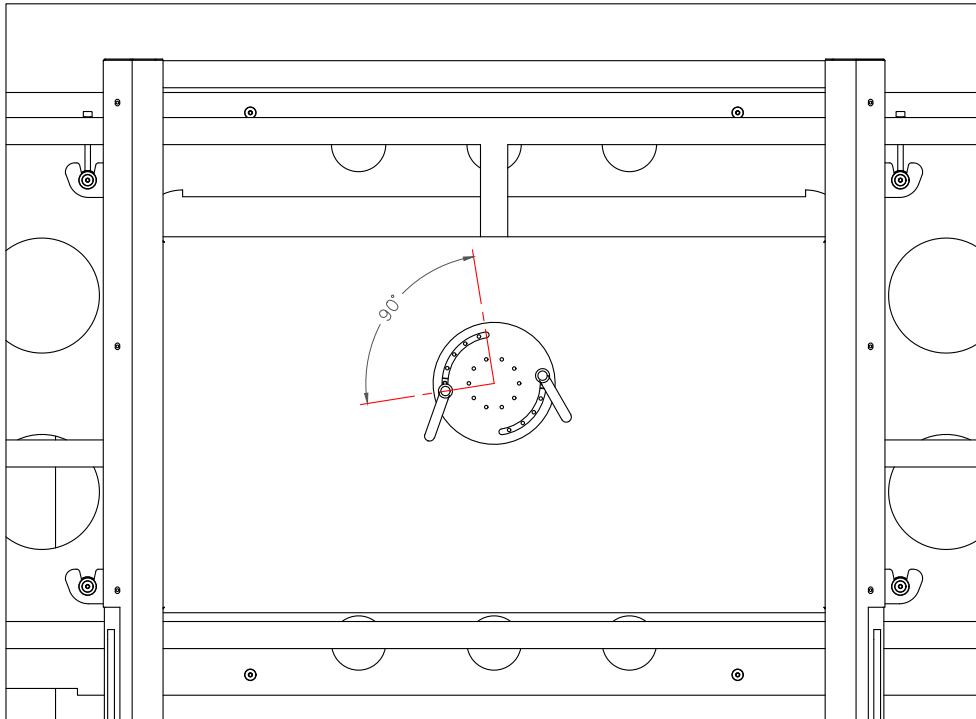
With the ScreenLifter you can rotate the screen 90° clockwise (seen from the front) and also move it up and down in this position.

**Before rotating the screen, pay attention to the height of the lower edge to ensure free rotation without damaging the screen or the ScreenLifter base plate.**

**Before turning, make sure that the screen is secured to the frame with the two locking screws.**

To rotate, release the two clamping levers by one turn to the left and slowly rotate the screen 90° to the stop. Then close the clamping levers again. The position of the levers can be infinitely adjusted by pulling and turning. In this way, the desired alignment can be set before and after clamping.

The position of the levers can be infinitely adjusted by pulling and turning. In this way, the desired alignment can be set before and after clamping.

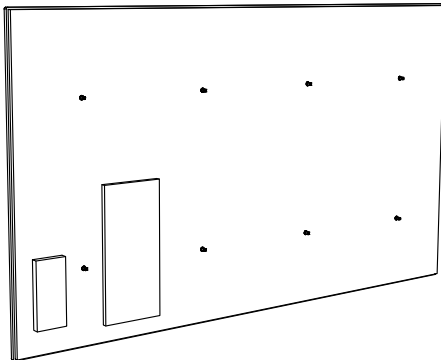
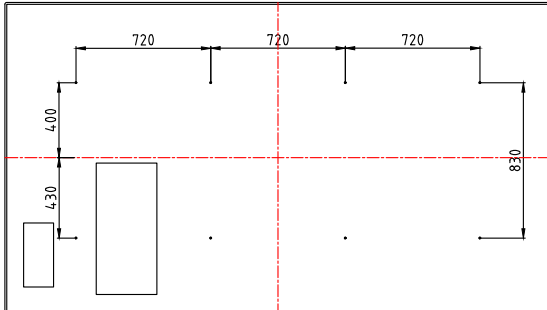


**Do not forget to move the screen to the horizontal position before loading the ScreenLifter into the transport case!**



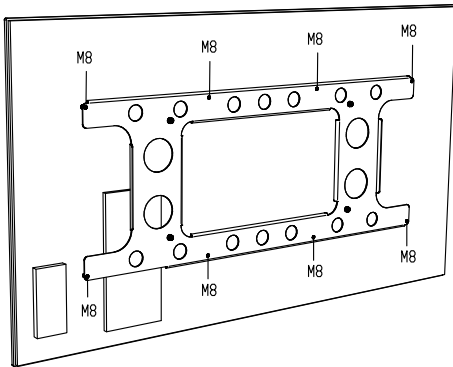
### 5. Mounting the screen on the ScreenLifter

To mount the screen to the ScreenLifter, you will need the following parts from the supplied accessories:



8x Abstandshalter M8 /M10

8x Belagscheibe



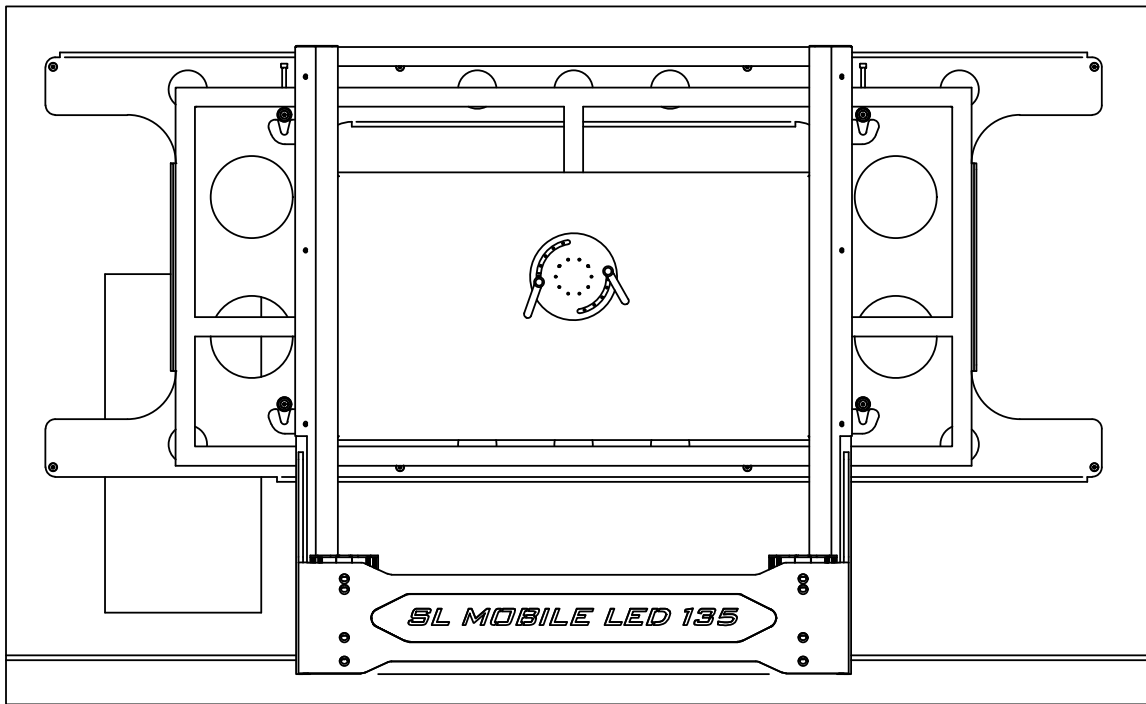
8x Senkkopfschraube

1x Vesa - Blech Optoma

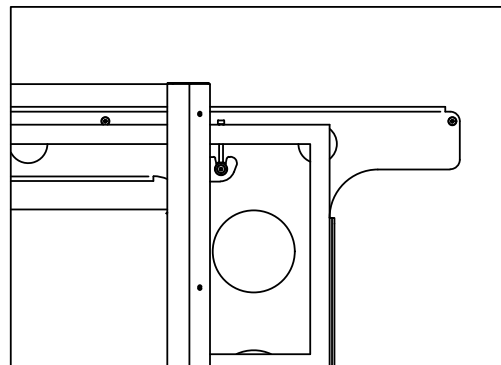
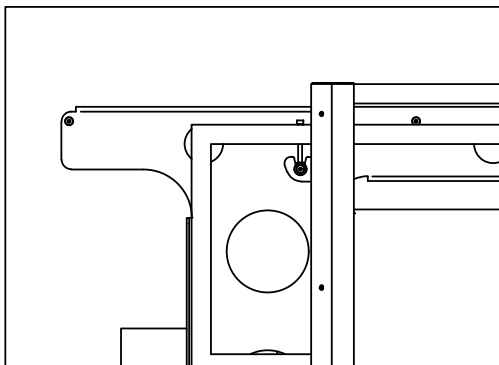
Use 8 M8 threaded holes on the back of the screen to attach the VESA sheet. Ensure that the plate is centered between the top and bottom edges. Use the M8 countersunk screws from the accessories for mounting.

If necessary, unload the ScreenLifter from the transport case (see section 4.2). Make sure that the ScreenLifter stands on a stable and level surface.

Insert the screen with the mounted VESA sheet into the tabs of the frame from top to bottom so that the groove of the display holder slides into the tabs of the frame. To simplify positioning, the two lower tabs are longer and grip first. Therefore, pay attention to the two lower tabs first. If mounted correctly, the screen will sit firmly and without play on the frame and the holes of the middle tabs will be on top of each other.



Finally, turn the two locking screws at the top of the screen frame all the way down to lock the screen in place.



## 6. Appendix

### 6.1. Technical data

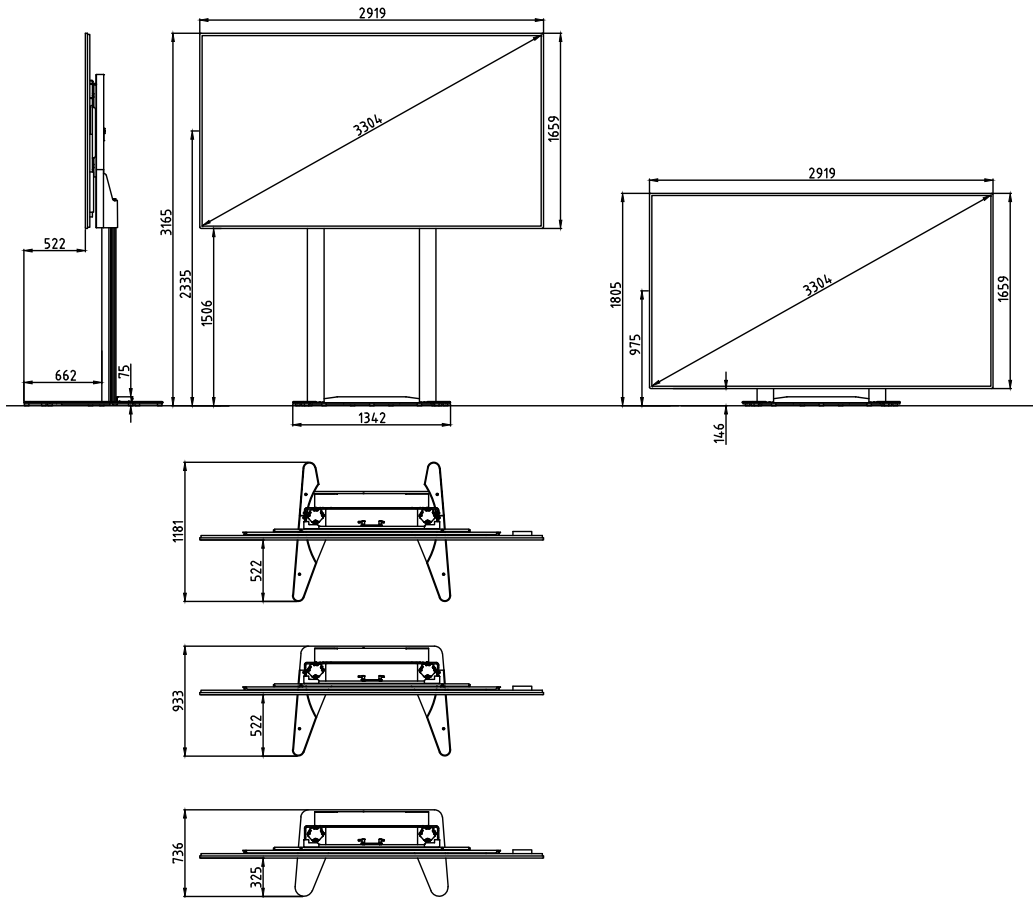
#### ScreenLifter

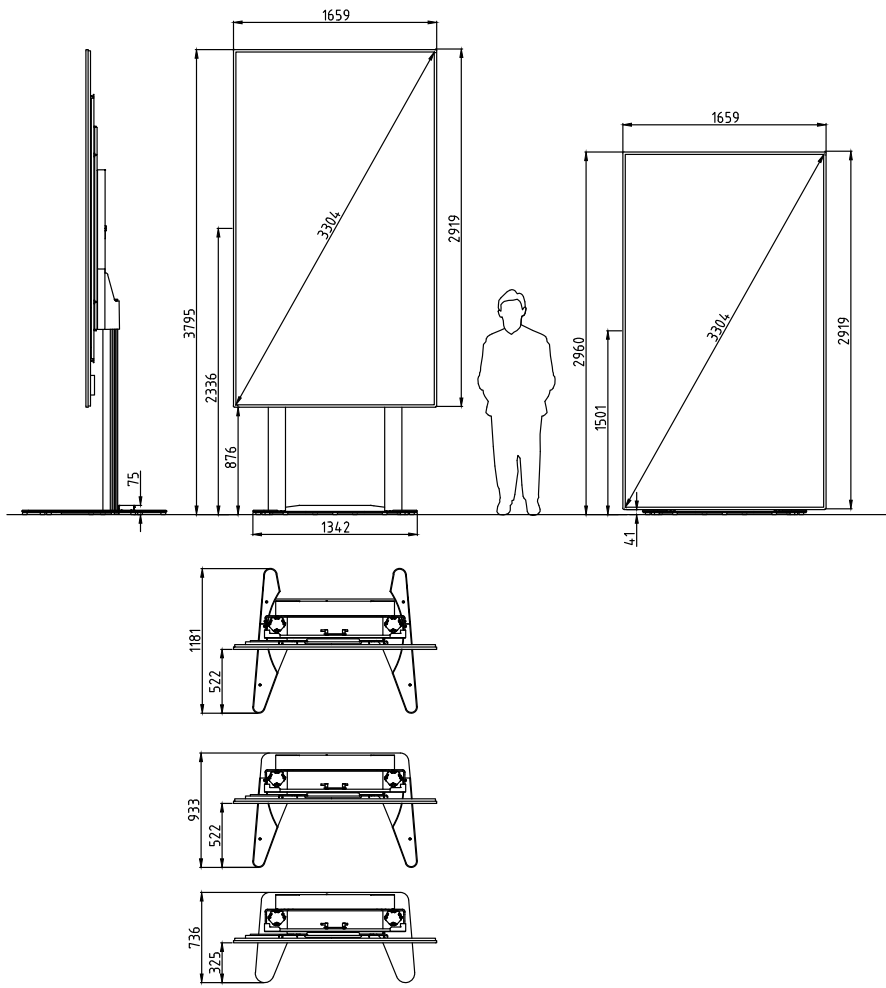
Dimensions	compare with depiction on page 13, 14, 15
Weight (w/o display)	220 kg
Color	aluminum: anodized EV 1, steel: RAL 9011
Lift range	1360 mm
Lift speed	15 mm/s
Insulation class lifting columns	E
Protection rating lifting columns	IP 42
Power source	230 V AC / 50 Hz
Input standby (w/o display)	2-5 W
Rated input (w/o display)	400 W (at 230V AC)
Maximum input (w/o display)	900 W (at 230V AC)
Operating temperature	+5°C to +45°C
Storing temperature	-20°C to +60°C
Operating humidity	5 %-85 % (non condensing)
Limit switches	mechanical, upper and lower position
IEC protection class	I
Switching capacity	17% ( 2 min. ON / 18 min. OFF )
Max. zul. Gewicht Bildschirm	220kg
Max. display weight*	Separate power supply

#### Transportcase

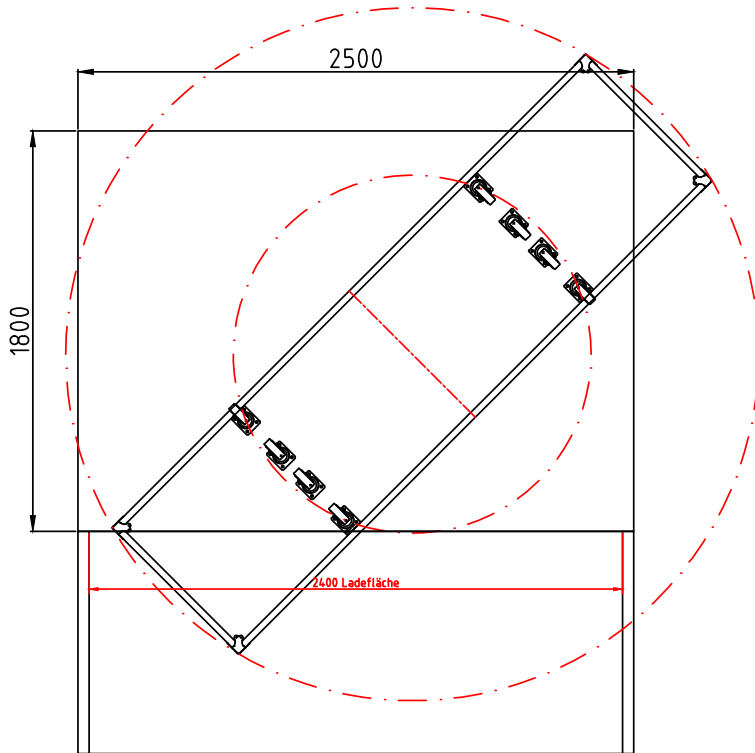
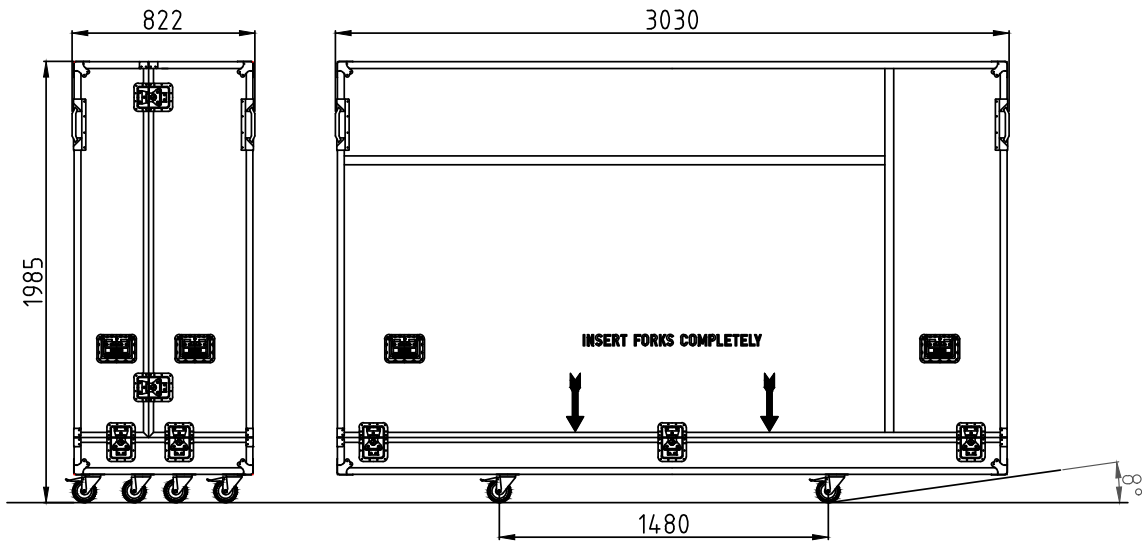
Dimensions (W x H x D)	3030 mm x 1985 mm x 822 mm
Weight	286 kg
Wheels	8 swivel casters (4 with brakes)
Available colors	black, grey, blue

6.2. Dimensions









### 6.3. Resetting the lifting columns

In rare cases there may be a vertical offset between the rotors of the two lifting columns. As long as the ScreenLifter is connected to the power supply, a possible offset is detected by the control unit and automatically corrected. However, if an offset of the rotors occurs while the ScreenLifter is disconnected from the power supply, e.g. during storage or transport, a manual end position adjustment must be carried out.

If possible, the end position adjustment should be performed without the screen mounted.

**Please read the following three steps before performing the end position adjustment!  
In any case, carry out all three steps of this manual!**



Perform end position adjustment:

1. Press and hold the "**RESET**" button on the remote control - both sliders will move downwards. If one of the two sliders is already in its lower end position, nothing seems to happen. Nevertheless, keep pressing the "**RESET**" button until you hear a click!
2. As soon as the lower of the two sliders reaches its end position, both motors switch off and you hear a clicking sound from the control unit. This is not yet the end position adjustment!
3. Release the "**RESET**" button and press and hold it again. Keep it pressed until the top slider also starts moving downwards (it can take up to 20 seconds for this to happen) and finally reaches its lower end position. As soon as it reaches its lower end position, the motor switches off and you hear a clicking sound again. The end position adjustment has now been carried out and the ScreenLifter is ready for normal use again.

## 6.4. Troubleshooting

- Problem:** ScreenLifter does not respond to remote control inputs..
- Possible Cause(s):** Insufficient power supply - check that the existing power supply meets the requirements of the ScreenLifter (section 6.1 Technical Data).
- Power cable not plugged in correctly - check the connection.
- The remote control cable may not be plugged in correctly - check the plug connection.
- Power cable/remote control faulty/defective - replace the faulty part or contact the manufacturer.
- Control unit defective - contact the manufacturer.
- 
- Problem:** The screen can only be moved either upwards or downwards.
- Possible Cause(s):** Remote control defective - contact the manufacturer.
- Control unit defective - contact the manufacturer.
- 
- Problem:** ScreenLifter moves only in small steps.
- Possible Cause(s):** Mechanical tension due to a vertical misalignment between the sliders leads to an overload cut-off - check for vertical misalignment and carry out an end position adjustment if necessary (see section 6.3).
- The ScreenLifter stands on uneven or inclined ground. The changed load conditions lead to an overload cut-off for safety reasons - ensure that you have a sufficient base.
- Control unit defective - contact the dealer.