



PU-305BDA-TX & RX

Bi-Directional Analogue Audio over Single CAT
Transmitter/Receiver

OPERATION MANUAL

DISCLAIMERS

The information in this manual has been carefully checked and is believed to be accurate. CYP (UK) Ltd assumes no responsibility for any infringements of patents or other rights of third parties which may result from its use.

CYP (UK) Ltd assumes no responsibility for any inaccuracies that may be contained in this document. CYP (UK) Ltd also makes no commitment to update or to keep current the information contained in this document.

CYP (UK) Ltd reserves the right to make improvements to this document and/or product at any time and without notice.

COPYRIGHT NOTICE

No part of this document may be reproduced, transmitted, transcribed, stored in a retrieval system, or any of its part translated into any language or computer file, in any form or by any means—electronic, mechanical, magnetic, optical, chemical, manual, or otherwise—without express written permission and consent from CYP (UK) Ltd.

© Copyright 2011 by CYP (UK) Ltd.

All Rights Reserved.

Version 1.1 August 2011

TRADEMARK ACKNOWLEDGMENTS

All products or service names mentioned in this document may be trademarks of the companies with which they are associated.

SAFETY PRECAUTIONS

Please read all instructions before attempting to unpack, install or operate this equipment and before connecting the power supply.

Please keep the following in mind as you unpack and install this equipment:

- Always follow basic safety precautions to reduce the risk of fire, electrical shock and injury to persons.
- To prevent fire or shock hazard, do not expose the unit to rain, moisture or install this product near water.
- Never spill liquid of any kind on or into this product.
- Never push an object of any kind into this product through any openings or empty slots in the unit, as you may damage parts inside the unit.
- Do not attach the power supply cabling to building surfaces.
- Use only the supplied power supply unit (PSU). Do not use the PSU if it is damaged.
- Do not allow anything to rest on the power cabling or allow any weight to be placed upon it or any person walk on it.
- To protect the unit from overheating, do not block any vents or openings in the unit housing that provide ventilation and allow for sufficient space for air to circulate around the unit.

REVISION HISTORY

VERSION NO.	DATE	SUMMARY OF CHANGE
v1.00	13/08/14	First release

CONTENTS

1. Introduction	6
2. Applications	6
3. Package Contents	6
4. System Requirements	6
5. Features	6
6. Operation Controls and Functions	7
6.1 Front Panel (TX/RX).....	7
6.2 Rear Panel (TX/RX)	8
6.3 RS-232 Pin Definition	8
7. Connection Diagram	9
8. Specifications	10

1. INTRODUCTION

The PU-305BDA-TX/RX is an analogue Stereo over CAT5e/6/7 Transmitter and Receiver which can send and receive analogue audio signals over a single run of CAT5e/6 cable up to 300m. It has the added benefit of RS-232 pass-through allowing control of devices and the Power over Ethernet (PoE) function can power the receiver unit eliminating the need for a second power supply. As the units have bi-directional capabilities, this device can also send audio signals back to the connected transmitter/receiver.

This transmitter or receiver is designed to be used with the corresponding PU-305BDA-TX Analogue Audio Transmitter/Receiver or with the PU-305BD-TX Digital Audio Transmitter/Receiver. When combined with the PU-305BD-TX digital transmitter/receiver, the analogue audio signal will be converted and outputted as digital audio by that unit's built-in digital to analogue converter (DAC).

2. APPLICATIONS

- /// Extending a Home sound system
- /// Sharing the audio in a Conference and meeting room audio system
- /// Extend an audio signal and RS-232 control to a remote location

3. PACKAGE CONTENTS

- /// 1 x Analogue stereo audio Transmitter or Receiver
- /// 1 x 12V power Adaptor
- /// Operation Manual

4. SYSTEM REQUIREMENTS

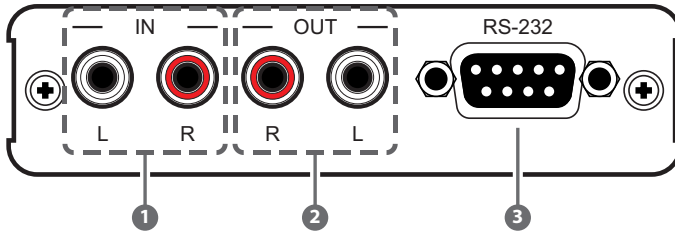
Input source equipment such as Blu-ray/DVD/PS3 player or Set-Top-Box with L/R output and output connect to audio amplifier with L/R input.

5. FEATURES

- /// Supports Analogue stereo audio and RS-232 extension over a single CAT5e/6/7 cable up to 300 meters
- /// Supports Power over Ethernet (PoE) to the Receiver unit
- /// Bi-directional RS-232 control

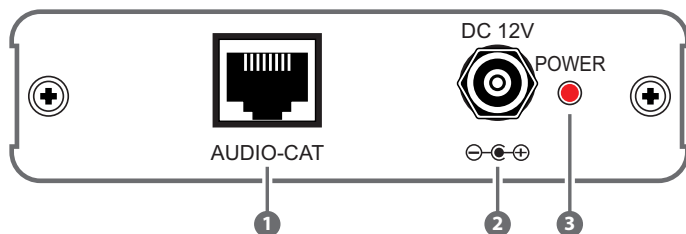
6. OPERATION CONTROLS AND FUNCTIONS

6.1 Front Panel (TX/RX)



- 1 L/R IN:** Connect to analogue audio source such as DVD/Blu-ray player, Set-Top Box or game console. The audio will be output from the AUDIO OUT on the receiver unit.
- 2 L/R OUT:** Connect to an audio output device such as an amplifier with an analogue audio input or active speakers. It will output the audio from the device connected to the AUDIO IN on the receiver unit.
- 3 RS-232:** Connect to a PC/Laptop or RS-232 control system for passthrough of RS-232 commands to the device connected to the RS-232 port on the receiver unit.

6.2 Rear Panel (TX/RX)



- ❶ **AUDIO-CAT:** Connect the AUDIO-CAT output to the AUDIO-CAT input of the receiver unit using a single CAT5e/6/7 cable.
- ❷ **DC 12V:** Connect the unit to the supplied adaptor and plug into an AC wall outlet for power supply. Note: Only the transmitter needs to be powered for both units to work.
- ❸ **POWER indicator:** This LED will illuminate once the device is connected to an active power supply.

6.3 RS-232 Pin Definition

			Remote Controller	
PIN	Definition		PIN	Definition
1	NC	<div style="display: flex; justify-content: center; align-items: center; gap: 10px;"> <div style="width: 20px; height: 20px; border: 1px solid black; margin: 0 auto;"></div> <div style="font-size: 2em;">→</div> <div style="width: 20px; height: 20px; border: 1px solid black; margin: 0 auto;"></div> <div style="font-size: 2em;">←</div> </div>	1	NC
2	TxD		2	RxD
3	RxD		3	TxD
4	NC		4	NC
5	GND		5	GND
6	NC		6	NC
7	NC		7	NC
8	NC		8	NC
9	NC		9	NC

Baud Rate: 110 ~ 921600

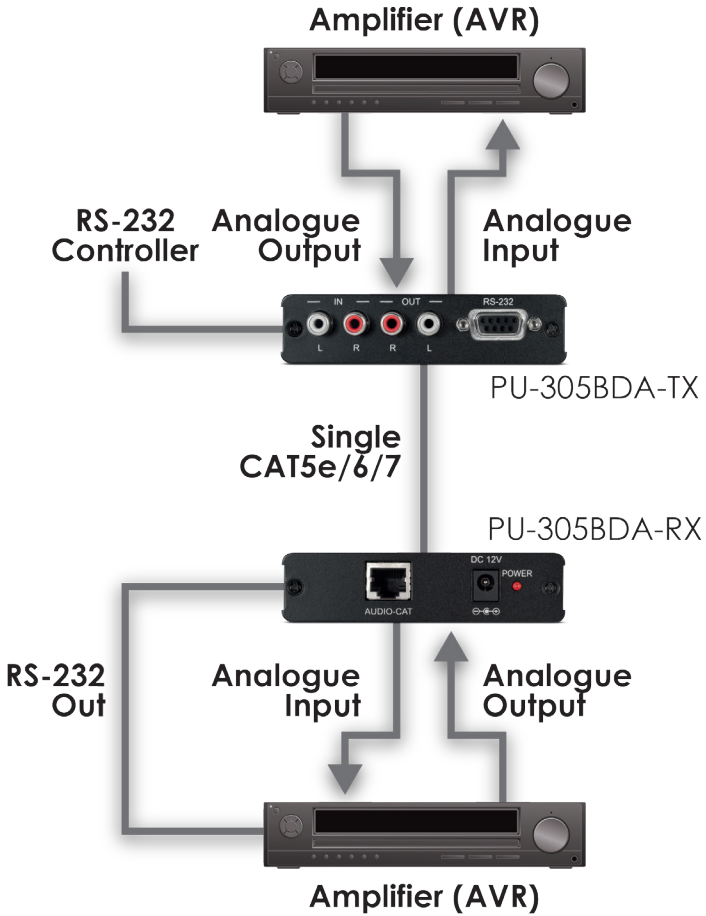
Data Bit: 8 bits

Parity: None

Stop Bit: 1 bit

Flow Control: None

7. CONNECTION DIAGRAM



8. SPECIFICATIONS

Transmitter

Inputs	1 × Analogue Stereo (2-RCA), 1 × RS-232
Outputs	1 × Analogue Stereo (2-RCA), 1 × AUDIO-CAT

Receiver

Inputs	1 × Analogue Stereo (2-RCA), 1 × AUDIO-CAT
Outputs	1 × Analogue Stereo (2-RCA), 1 × RS-232

Audio Formats Analogue Stereo 2CH

Output Level

THD+N 80 dB

SNR 95 dB

Frequency Response ± 3 dBFS/Vrms

Crosstalk -88 dB

CAT Cable Distance 300 m

Power Supply 12V DC/1.25A (US/EU standards, CE/FCC/UL certified)

ESD Protection Human body model:
± 8kV (air-gap discharge)
± 4kV (contact discharge)

Dimensions 102mm (W) x 102mm (D) x 25mm (H)/Jack
Excluded
102mm (W) x 116.5mm (D) x 25mm (H)/Jack
Included

Weight 242g

Chassis Material Metal

Silkscreen Color Black

Operating Temperature 0 °C~40 °C / 32 °F ~ 104 °F

Storage Temperature -20 °C~60 °C / -4 °F ~ 140 °F

Relative Humidity 20~90 % RH (no condensation)

Power Consumption 1.65W



CYP (UK) Ltd., Unit 7, Shepperton Business Park, Govett Avenue, Shepperton,
Middlesex, TW17 8BA

Tel: +44 (0) 20 3137 9180 | Fax: +44 (0) 20 3137 6279

Email: sales@cypeurope.com

www.cypeurope.com

v1.00