



OR-32SDMI

UHD+ Multi-format Matrix Switcher with USB Ethernet Hub



CPLUS-V32SDMI is a 3x2 matrix switch for use in a wide range of multi-format signals and can be equipped with SDM module cards to widen usages. With the commonly used HDMI outputs, this unit can switch video signals between HDMI and USB-C. This product has a module card slot to let users equip additional function cards and fulfill different scenarios.

This matrix switcher supports HDCP2.2, resolutions up to 4k@60Hz (4:4:4, 8-bit), and can be controlled via WebGUI, Telnet and RS-232. It also includes USB3.0 hub with two host-ports and two device-ports for flexible KVM configuration. With the USB extension, this product is ideal for conference, remote meeting, and education scenarios.

PANELS

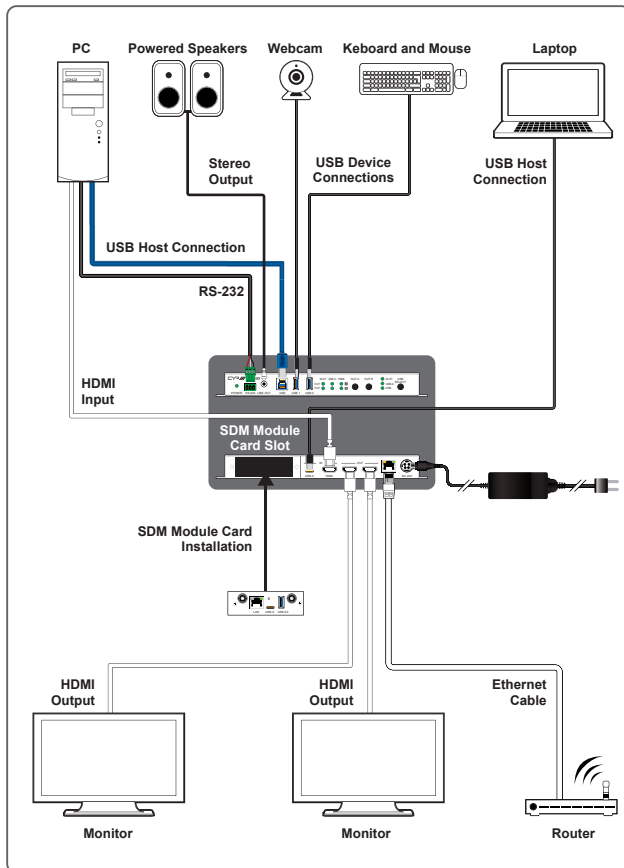


Front View



Rear View

DIAGRAM



FEATURES

- Supports USB 3.0 with one USB-B port, one USB-C port for connecting to a host PC, and two USB-A ports for peripheral devices and storage extension.
- Supports gigabit Ethernet.
- Supports pass-through of 8 channel LPCM, bitstream & HD bitstream audio formats.
- Supports 4K HDR formats by HDR10, HLG and Dolby Vision.
- Supports basic signal event automation (via RS-232, IP or CEC).
- One module card slot for CYP SDM series module cards.

SPECIFICATIONS

Interfaces

Input Port	1×HDMI 1×USB -C 1×Slot
Output Port	2×HDMI 1×Stereo Audio (3.5mm)
Control I/O	1×RS-232 (3-pin Terminal Block) 1×LAN (RJ-45)
Pass-through Port	2×USB-A 1×USB-B

Video

HDMI Compliance	HDMI 2.0
HDCP Compliance	HDCP 2.2
Input Signal Types	4096x2160p@60 8bit YUV4:4:4
Output Signal Types	4096x2160p@60 8bit YUV4:4:4

		Resolutions
Maximum Input	HDMI	4096x2160p@60
	USB-C	4096x2160p@60
Maximum Output	HDMI	4096x2160p@60

Audio

HDMI	LPCM 2.0 / 5.1 / 7.1 High-Definition Bitstream
Line Out	LPCM 2 channel Bitstream High-Definition Bitstream

Power

Power Supply	DC 24V 6.25A
Power Consumption	75W (with USB-C PD)

Enclosure

Chassis Material	Metal (Steel)
Chassis Color	Black
Dimensions (W×H×D)	231.5mm×24mm×158mm
Weight	896g

Field Firmware Update

USB Flash Drive, WebGUI

ORDERING INFORMATION

Model No.	Product Description
SDM-WPS-HP	4K@30 WIFI to HDMI Wireless Receiver