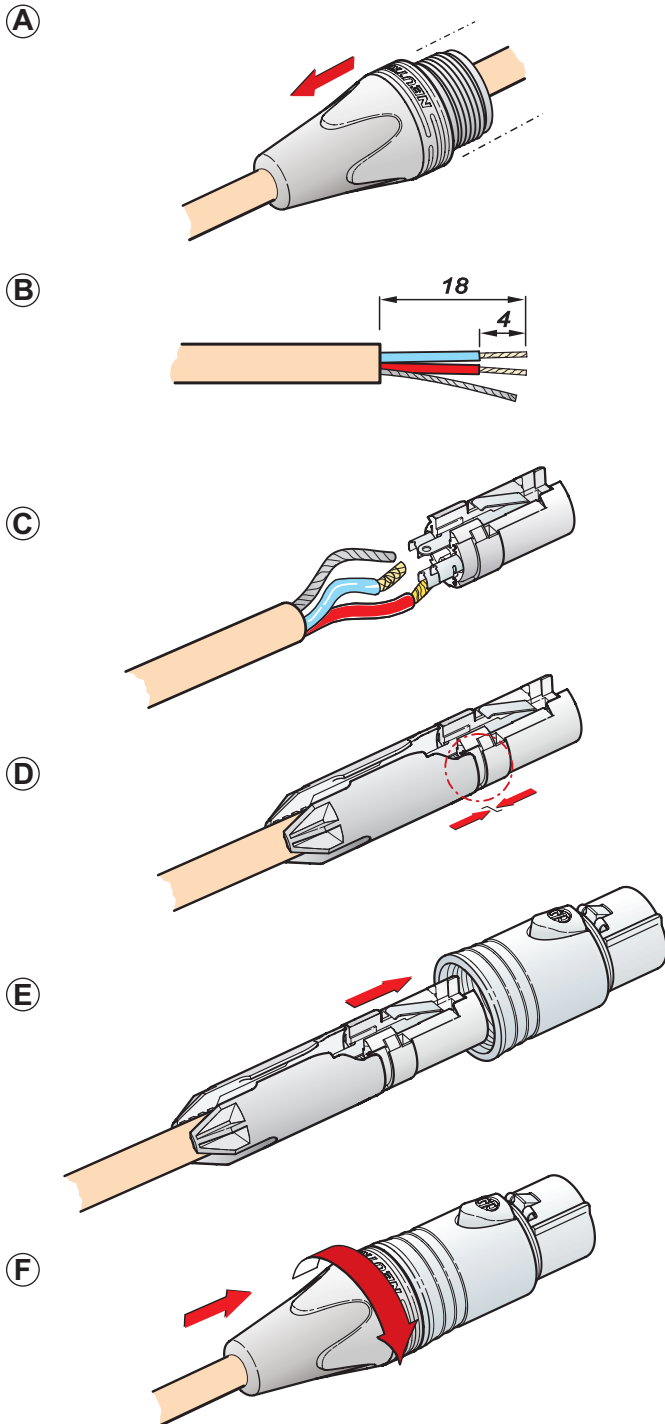





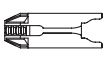
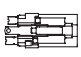
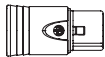

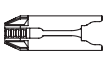
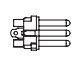

# ASSEMBLY INSTRUCTION

## NC\*FXX & NC\*MXX | XLR Cable Connector



- A** Slide the boot onto the cable.
- B** Prepare cable as shown.
- C** Insert wires into the terminals and solder them.
- D** Put chuck onto the cable.  
**Attention: Pay attention to the guiding key.**
- E** Slide insert and chuck together into the housing.
- F** Finish the installation by turning the bushing onto the connector.

**ORDER OF ASSEMBLY**

<b>NC*FXX</b>			
			
bushing	chuck	insert	housing
<b>NC*MXX</b>			
			

<b>NEUTRIK AG</b>	<b>LI</b>	<b>T: +423 / 237 24 24</b>	<b>F: +423 / 232 53 93</b>	<b>NEUTRIK Vertriebs GmbH</b>	<b>DE/NL/AT</b>	<b>T: +49 8131 / 280 890</b>	<b>F: +49 8131 / 280 830</b>
<b>NEUTRIK Zürich AG</b>	<b>CH</b>	<b>T: +41 44 / 736 5010</b>	<b>F: +41 44 / 736 5011</b>	<b>NEUTRIK France</b>	<b>FR</b>	<b>T: +33 1 / 4131 6750</b>	<b>F: +33 1 / 4131 0511</b>
<b>NEUTRIK USA Inc.</b>	<b>USA</b>	<b>T: +1 732 / 901 9488</b>	<b>F: +1 732 / 901 9608</b>	<b>NEUTRIK Tokyo Ltd.</b>	<b>JP</b>	<b>T: +81 3 / 3663 4733</b>	<b>F: +81 3 / 3663 4796</b>
<b>NEUTRIK (UK) Ltd.</b>	<b>UK</b>	<b>T: +44 1983 / 811 441</b>	<b>F: +44 1983 / 811 439</b>	<b>NEUTRIK Hong Kong Ltd.</b>	<b>HK</b>	<b>T: +852 / 2687 6055</b>	<b>F: +852 / 2687 6052</b>

Draft. Nr.: BDA 158 / 3102M1381 | Update: 12..03.2008 | Data subject to change without prior notice. ©2008NEUTRIK®. ALL RIGHTS RESERVED.