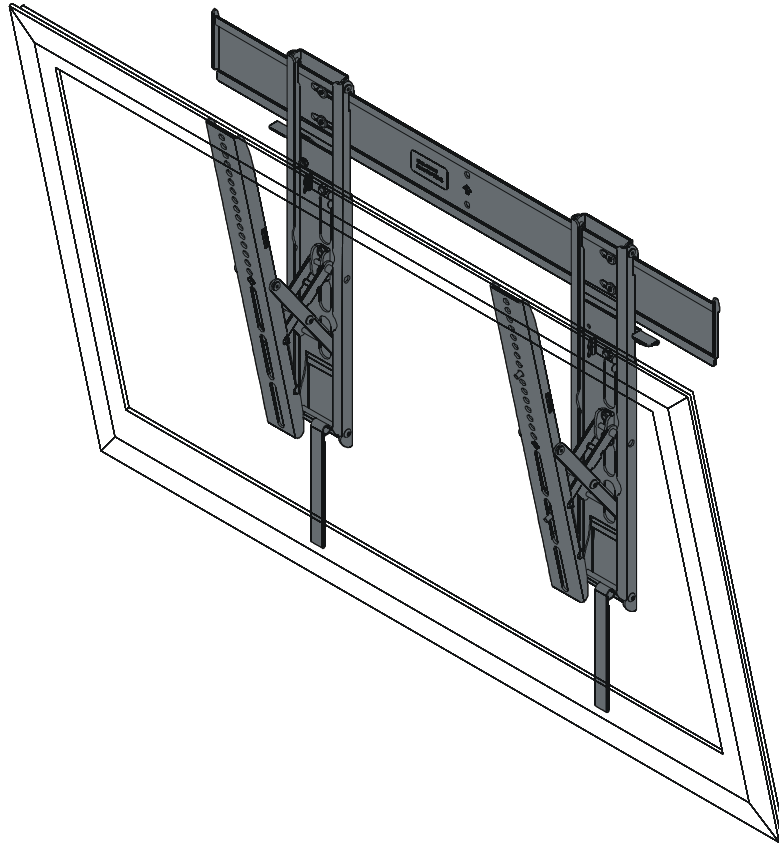


---

# INSTALLATION INSTRUCTIONS

---



---

## Thinstall™ Medium Tilt Universal Mount

---

## DISCLAIMER

Milestone AV Technologies and its affiliated corporations and subsidiaries (collectively "Milestone"), intend to make this manual accurate and complete. However, Milestone makes no claim that the information contained herein covers all details, conditions or variations, nor does it provide for every possible contingency in connection with the installation or use of this product. The information contained in this document is subject to change without notice or obligation of any kind. Milestone makes no representation of warranty, expressed or implied, regarding the information contained herein. Milestone assumes no responsibility for accuracy, completeness or sufficiency of the information contained in this document.

Chief® and Thinstall™ are registered trademarks of Milestone AV Technologies. All rights reserved.



**WARNING:** Use this mounting system only for its intended use as described in these instructions. Do not use attachments not recommended by the manufacturer.



**WARNING:** Never operate this mounting system if it is damaged. Return the mounting system to a service center for examination and repair.



**WARNING:** Do not use this product outdoors.

**--SAVE THESE INSTRUCTIONS!--**



## IMPORTANT SAFETY INSTRUCTIONS!



**WARNING:** A WARNING alerts you to the possibility of serious injury or death if you do not follow the instructions.



**CAUTION:** A CAUTION alerts you to the possibility of damage or destruction of equipment if you do not follow the corresponding instructions.



**WARNING:** Failure to read, thoroughly understand, and follow all instructions can result in serious personal injury, damage to equipment, or voiding of factory warranty! It is the installer's responsibility to make sure all components are properly assembled and installed using the instructions provided.



**WARNING:** Failure to provide adequate structural strength for this component can result in serious personal injury or damage to equipment! It is the installer's responsibility to make sure the structure to which this component is attached can support five times the combined weight of all equipment. Reinforce the structure as required before installing the component.



**WARNING:** Exceeding the weight capacity can result in serious personal injury or damage to equipment! It is the installer's responsibility to make sure the combined weight of all components located between the MTTU up to (and including) the display does not exceed 100 lbs (45.4 kg). The wall to which the mount is being attached may have a maximum drywall thickness of 5/8" (1.6cm).

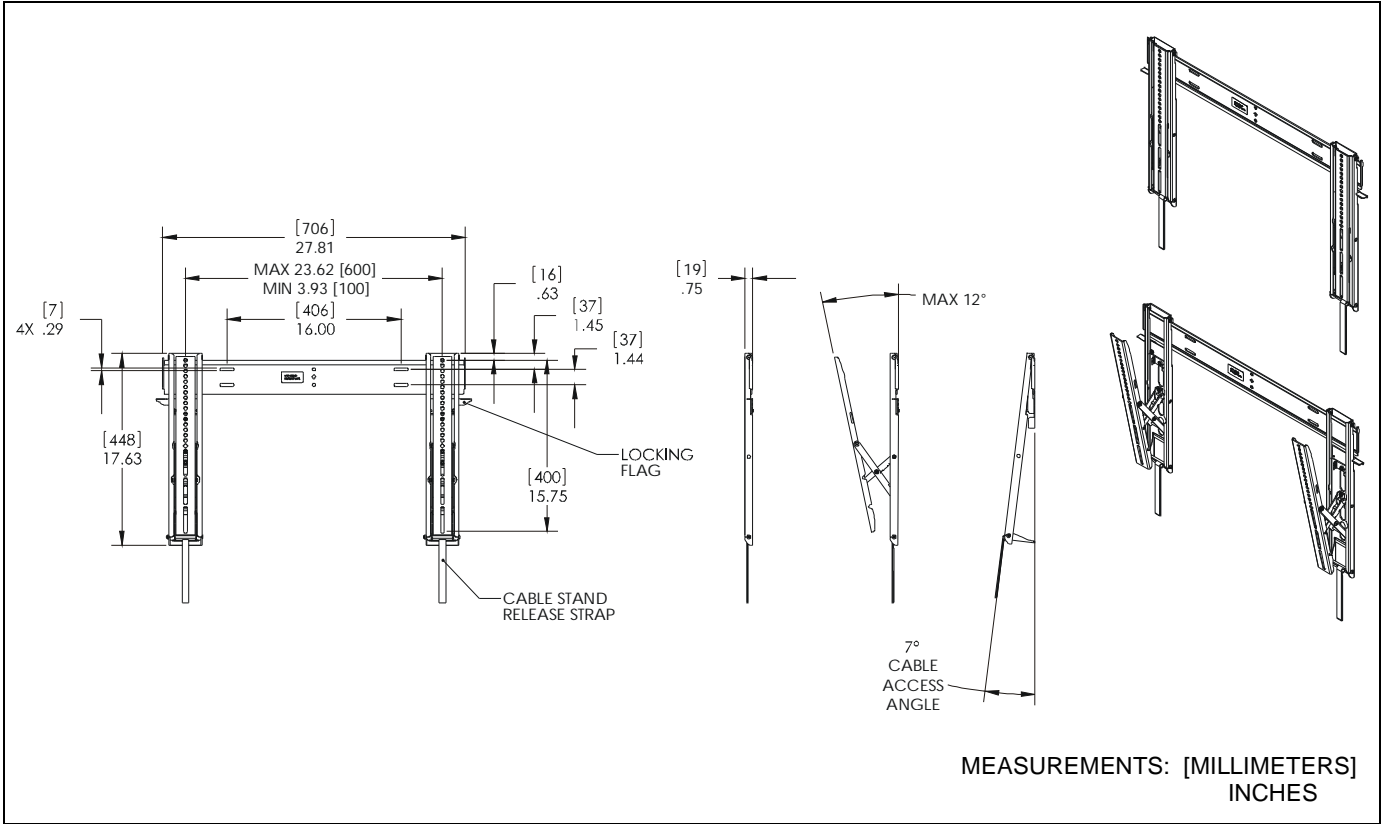


**WARNING:** The depth of the display cannot exceed 2 inches (50.8 mm).

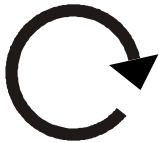

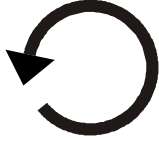











**WARNING:** The MTTU fits all hole patterns between 100 x 100 mm and 600 x 400 mm

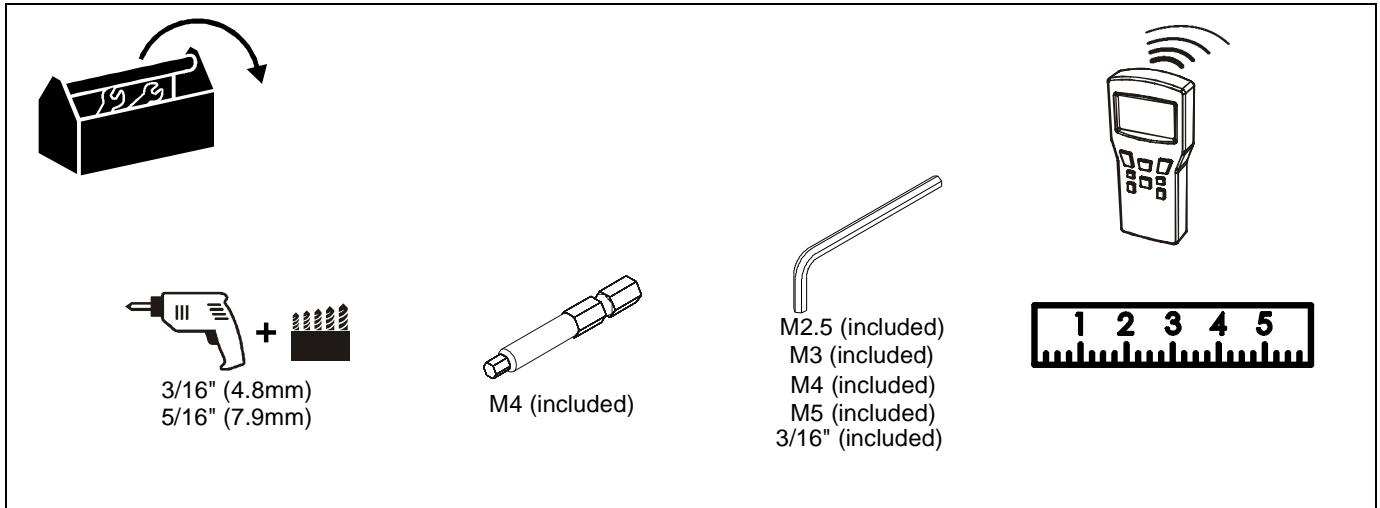
### DIMENSIONS



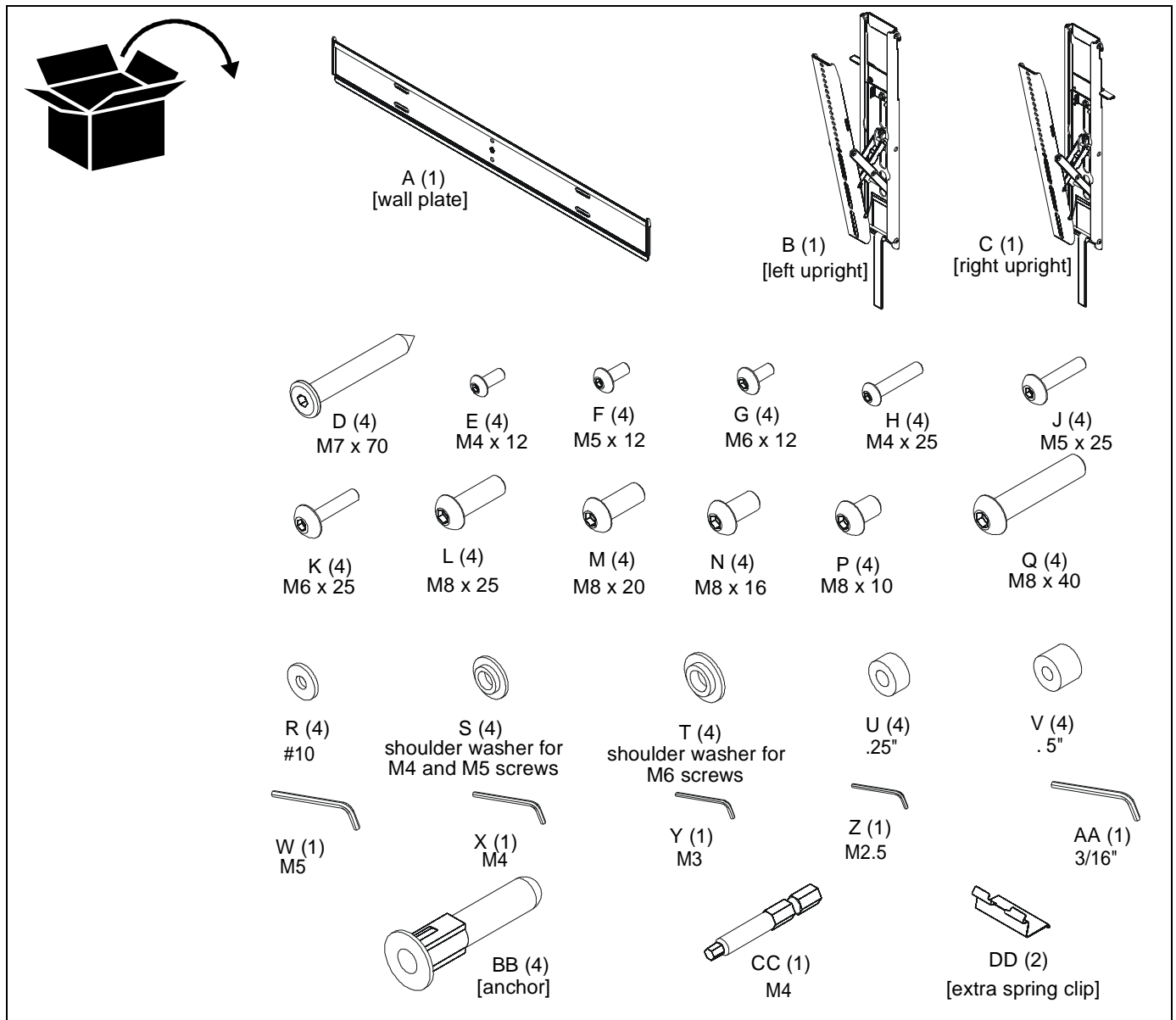
## LEGEND

	<b>Tighten Fastener</b> Apretar elemento de fijación Befestigungsteil festziehen Apertar fixador Serrare il fissaggio Bevestiging vastdraaien Serrez les fixations		<b>Pencil Mark</b> Marcar con lápiz Stiftmarkierung Marcar com lápis Segno a matita Potloodmerkten Marquage au crayon
	<b>Loosen Fastener</b> Aflojar elemento de fijación Befestigungsteil lösen Desapertar fixador Allentare il fissaggio Bevestiging losdraaien Desserrez les fixations		<b>Drill Hole</b> Perforar Bohrloch Fazer furo Praticare un foro Gat boren Percez un trou
	<b>Phillips Screwdriver</b> Destornillador Phillips Kreuzschlitzschraubendreher Chave de fendas Phillips Cacciavite a stella Kruiskopschroevendraaier Tournevis à pointe cruciforme		<b>Adjust</b> Ajustar Einstellen Ajustar Regolare Afstellen Ajuster
	<b>Open-Ended Wrench</b> Llave de boca Gabelschlüssel Chave de bocas Chiave a punte aperte Steeksleutel Clé à fourche		<b>Remove</b> Quitar Entfernen Remover Rimuovere Verwijderen Retirez
	<b>By Hand</b> A mano Von Hand Com a mão A mano Met de hand À la main		<b>Optional</b> Opcional Optional Opcional Opzionale Optie En option
	<b>Hex-Head Wrench</b> Llave de cabeza hexagonal Sechskantschlüssel Chave de cabeça sextavada Chiave esagonale Zeskantsleutel Clé à tête hexagonale		<b>Security Wrench</b> Llave de seguridad Sicherheitschlüssel Chave de segurança Chiave di sicurezza Veiligheidsleutel Clé de sécurité

**TOOLS REQUIRED FOR INSTALLATION**



**PARTS**



## Assembly And Installation

### Wall Plate Installation Using Wood Studs

1. Determine location for mount keeping in mind display size and safety requirements.
2. Use stud finder to locate studs. Wall plate can be mounted on 2" x 4" wood studs that are 16" apart.
3. Remove and discard two plastic shipping parts from the wall plate (one from each end). (See Figure 1)

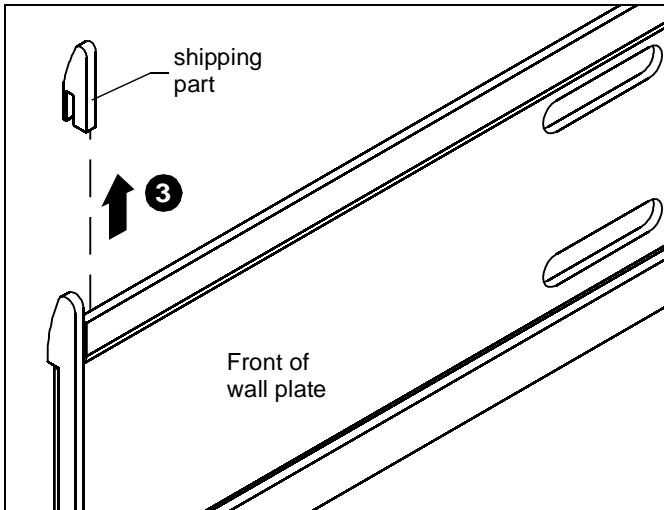


Figure 1

4. Using wall plate as template, mark and then drill four 3/16" diameter pilot holes through mounting surface making sure the holes are centered in the middle of each stud. Holes must be drilled at least 2-1/4" deep. (See Figure 2)
5. Install four connector screws (D) through wall plate and into pilot holes using M4 Allen Head bit (CC). (See Figure 2)

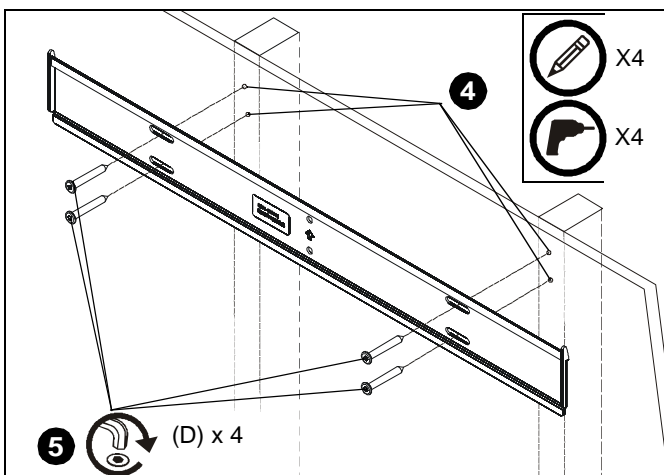


Figure 2

### Wall Plate Installation into Concrete, Concrete Block or Brick



**WARNING:** INSTALLING THE MTTU INTO UNDERRATED OR DAMAGED CONCRETE CAN LEAD TO SERIOUS INJURY OR DAMAGE TO PRODUCT! When installing into concrete, only install the MTTU into concrete at least 8" in depth or into 8"x8"x16" concrete blocks! Never install the MTTU into cracked, chipped or flaking concrete.

1. Determine location for mount keeping in mind display size and safety requirements.
2. Using wall plate as a template, mark and then drill four 5/16" diameter pilot holes through mounting surface. Use level to make sure wall plate is perfectly horizontal. Holes must be drilled at least 2-1/4" deep. (See Figure 3)
3. Install four 5/16" anchors (BB) into pilot holes drilled in Step 2. Use a hammer to lightly tap anchors into holes. (See Figure 3)
4. Install four connector screws (D) through wall plate holes and into anchors. (See Figure 3)

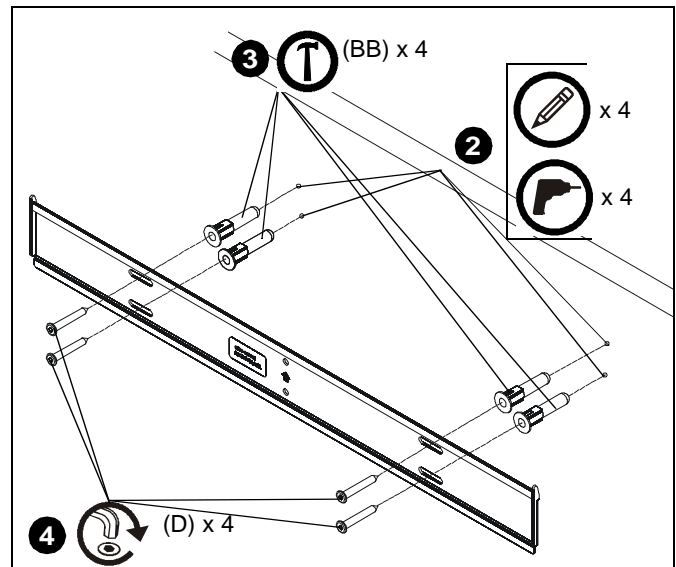


Figure 3

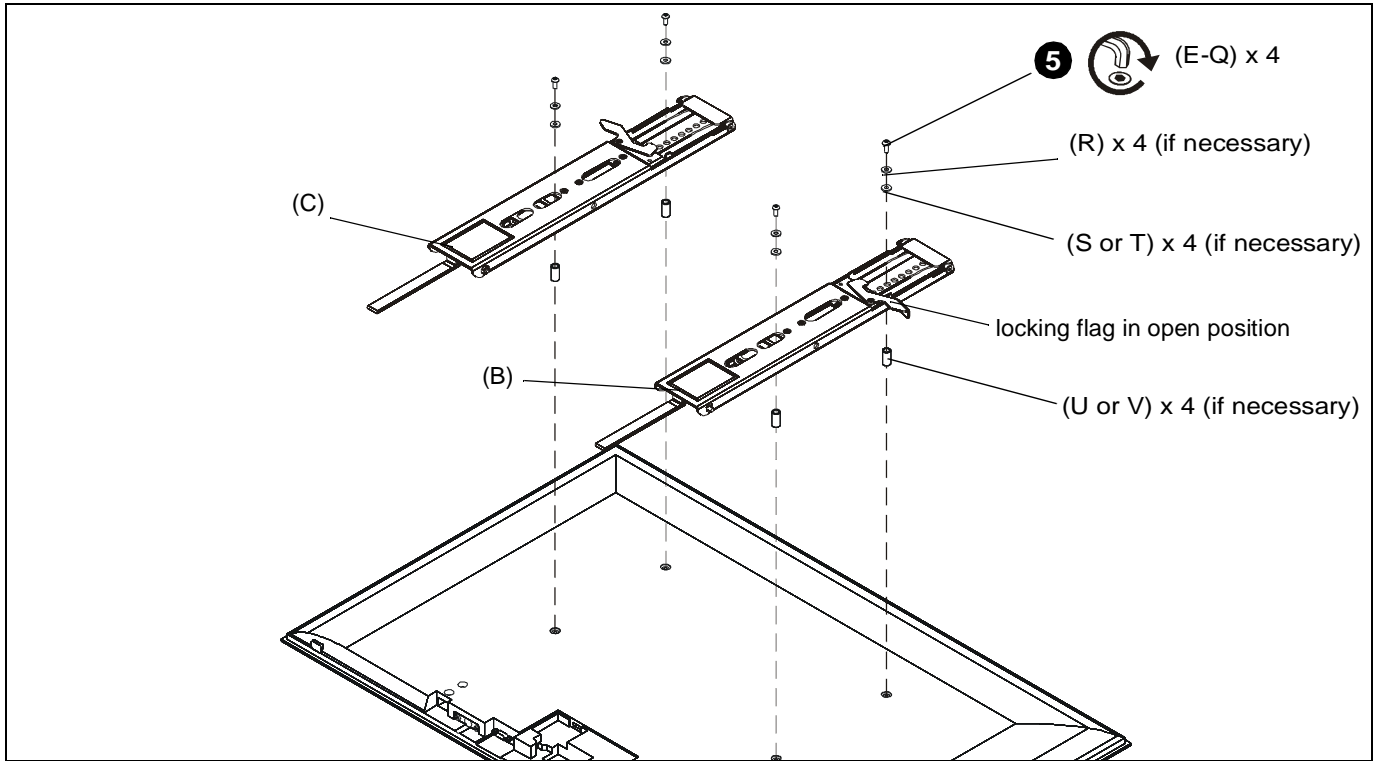


Figure 4

**Display Installation**

1. Lay display face side down on a level, non-abrasive surface. Lay down a cloth if necessary to avoid scratching the screen.
2. Position left and right interface brackets (B and C) over holes in back of display to determine which holes will be used for installation.

**NOTE:** Interface brackets should be positioned so that the diamond hole in the bracket is located halfway between the installation holes in order to ensure proper weight distribution. Brackets may need to be expanded to tilt position in order to expose installation holes.

**NOTE:** Cable management pull straps should be easily accessible underneath the display. Length of straps can be adjusted if necessary.

**NOTE:** Spacers may not be required depending on the type of display being mounted. They will typically only be used with recessed or bump-out back screens.

3. Determine which screws to use to connect interface brackets to display. Use the screws that fit into the holes on the back of the display. Make sure screws can make at least three full turns into mounting holes. If not, select longer screw from hardware kit.
4. Determine which washers and shoulder washers to use with the corresponding screw. Refer to table below for details.

Screw Size	Washers	Shoulder Washers
M4	use R	use S
M5	use R	use S
M6	none	use T
M8	none	none

5. Install four button head cap screws (E-Q) through required washers (R) and shoulder washers (S or T), interface brackets (B and C), spacers (U or V) and into holes on back of display. (See Figure 4)

**WARNING:** IMPROPER INSTALLATION CAN LEAD TO MOUNT FALLING CAUSING SEVERE PERSONAL INJURY OR DAMAGE TO EQUIPMENT. Displays can weigh in excess of 40 lbs (18.1). ALWAYS use two people and proper lifting techniques when installing display.

**WARNING:** Exceeding the weight capacity can result in serious personal injury or damage to equipment! It is the installer’s responsibility to make sure the combined weight of all components located between the MTTU up to (and including) the display does not exceed 100 lbs (45.4 kg).

**NOTE:** Make sure locking flags are in the open position before attaching display to wall plate. Flags are shown in the open position in Figure 4.

**NOTE:** Display can be adjusted horizontally as long as guide hooks are securely attached to wall plate.

**IMPORTANT ! :** If spacers are required, be sure to use screws that are longer than the spacers but of the same diameter!

6. While supporting both sides of display, lift display up to the wall plate on the wall.

7. Slowly guide hooks on top of interface brackets on top of wall plate in desired mounting location. (See Figure 5)
8. Slowly swing display toward wall. (See Figure 5)

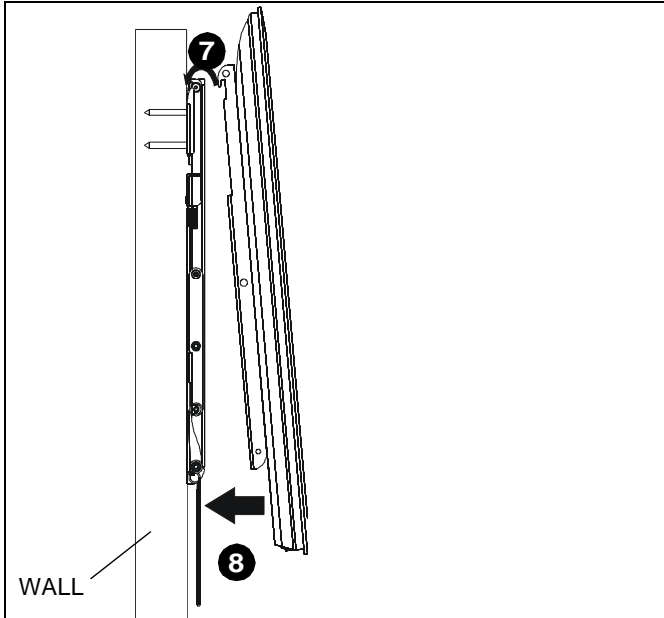


Figure 5

9. Rotate flags on each interface bracket down to the closed position in order to lock brackets to wall plate. (See Figure 6)

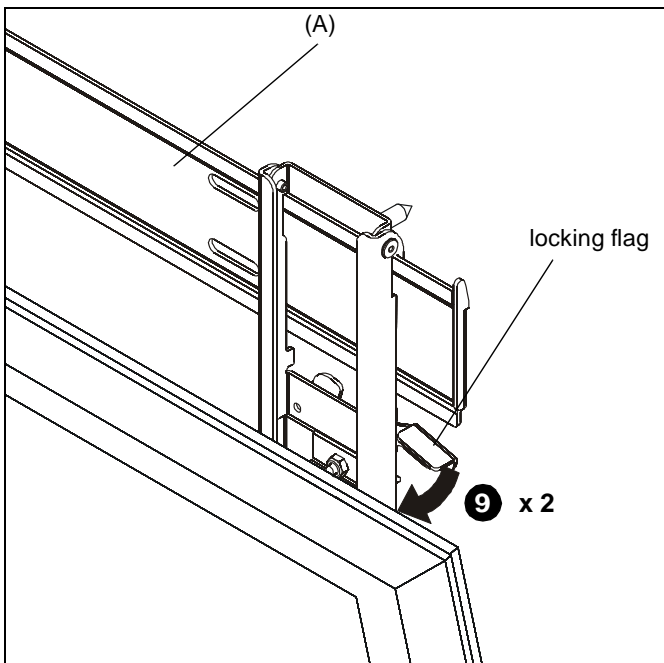


Figure 6

**NOTE:** Flags should stay in locked position unless removing display from wall bracket.

**NOTE:** Display should be held in full vertical position by spring clips on uprights. For some larger displays, a second spring clip (DD) may be required in order to hold the

display in the full vertical position. See "Extra Spring Clip Installation" Section for details.

**Tilt Adjustment**

1. Display may be tilted forward by pulling forward on the top of the display as desired. (See Figure 7)

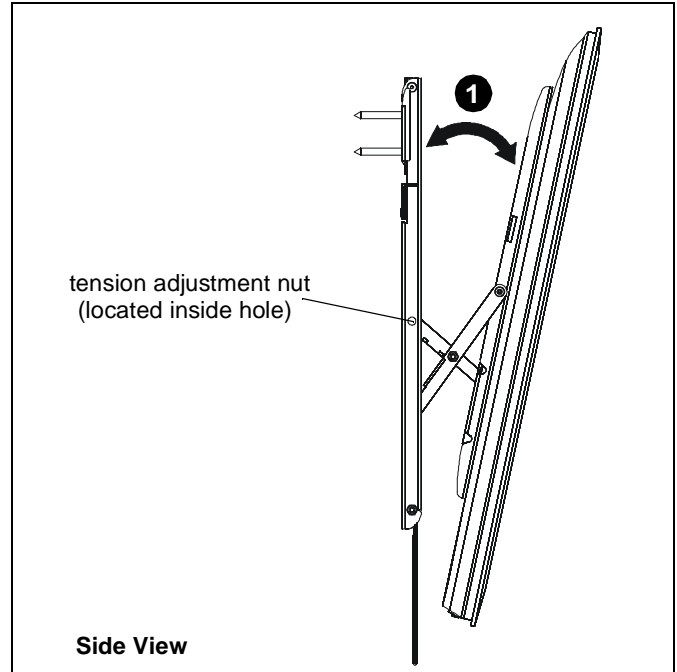


Figure 7

2. Tilt tension is adjustable by using 3/16" hex key (AA) in the tension adjustment nut. (See Figure 7)

**NOTE:** Tension should be adjusted equally on each bracket to ensure even tension distribution.

**NOTE:** Due to the low profile of the Thinstall Series, certain displays may have limited tilt capabilities.

3. To return display to full vertical position, push display back against wall until spring clips secure display in vertical position.



### Extra Spring Clip Installation (for larger displays)

**IMPORTANT !** : Display should be held in vertical position by spring clips. Listen for clicking sound when returning display to the full vertical position. For larger displays, a second spring clip (DD) may be added to each upright so that the display can be held in the full vertical position by these clips. Follow steps below to install the extra spring clip.

1. Remove display and attached uprights from wall plate (A) to gain access to spring clip screws.
2. Pull out display from uprights to expose existing spring clips.
3. Remove hex nuts and screws holding spring clips to uprights. (See Figure 8)
4. Use removed hex nuts and screws to install additional spring clips (DD) along with removed spring clips onto uprights. (See Figure 8)

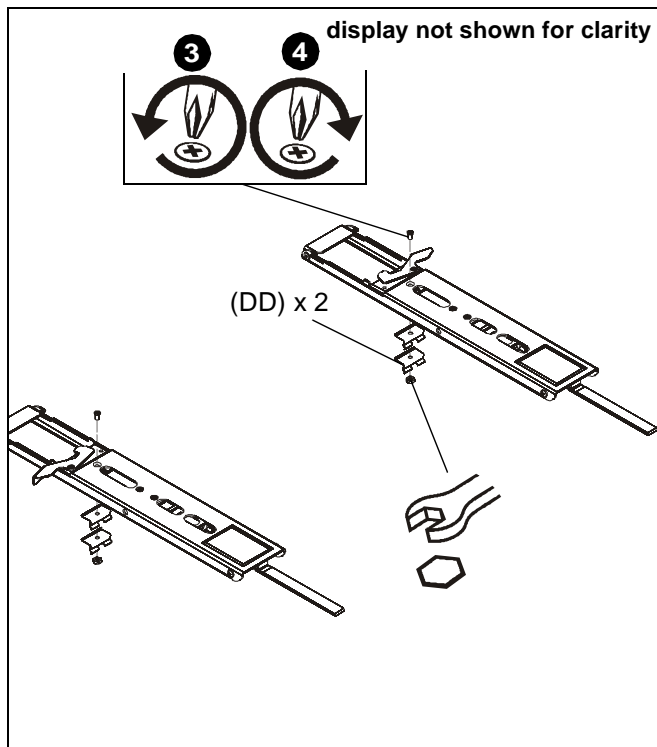


Figure 8

### Cable Management

**NOTE:** For attaching and adjusting cables, the MTTU mount features a kickstand to allow access without having to remove display from the wall.

1. Ensure mount and display are in the upright position.
2. Slowly pull bottom of display away from wall until kickstand fully reaches its down position. (See Figure 9)
3. Slowly release display until kickstand locks against the wall.
4. Attach or adjust cables as necessary on back of display.
5. To disengage kickstand, slightly pull display away from wall and pull down on cable management straps to release kickstand. Slowly allow display to return to the wall. (See Figure 9)

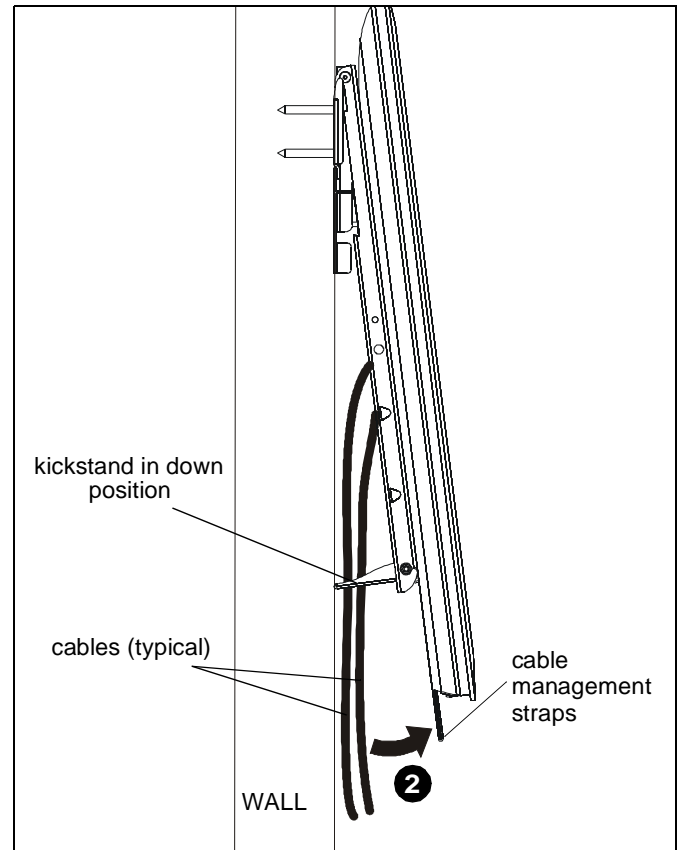


Figure 9

**NOTE:** Due to the low-profile design of the Thinstall Series, displays with cable connections coming straight out of the back may require 90-degree cable connectors. Chief offers in-wall accessories that can assist with recessing cables and connections.

**NOTE:** Certain displays may have limited space available for cable management.







Our Mounts. **Your Vision.**

Chief Manufacturing, a products  
division of Milestone AV Technologies

8800-002092 Rev01  
©2011 Milestone AV Technologies, a  
Duchossois Group Company  
[www.chiefmfg.com](http://www.chiefmfg.com)  
11/11

<b>USA/International</b>	<b>A</b> 8401 Eagle Creek Parkway, Savage, MN 55378 <b>P</b> 800.582.6480 / 952.894.6280 <b>F</b> 877.894.6918 / 952.894.6918
<b>Europe</b>	<b>A</b> Fellenoord 130 5611 ZB EINDHOVEN, The Netherlands <b>P</b> +31 (0)40 2668620 <b>F</b> +31 (0)40 2668615
<b>Asia Pacific</b>	<b>A</b> Office No. 1 on 12/F, Shatin Galleria 18-24 Shan Mei Street Fotan, Shatin, Hong Kong <b>P</b> 852 2145 4099 <b>F</b> 852 2145 4477

