

2601 [102,42]

325 [12,78]

MOTOR

HP = 1900 [74,80]

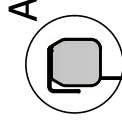
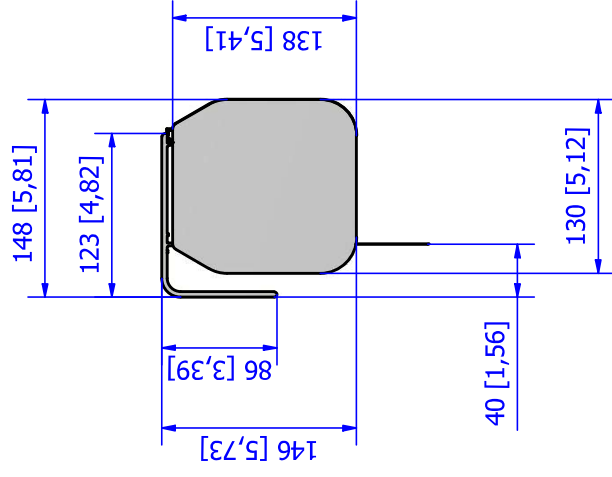
2082 [81,98]

124"

LP = 2500 [98,43]

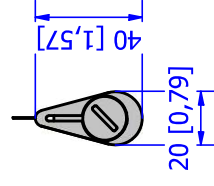
2551 [100,43]

A (1 : 4)



VIEWING SIDE

B (1 : 2)



Dimensions are in mm [inch]

According to the required fabric, a welding line may be present

Please notice that all dimensions are subject to conventional industry tolerances

# SCREENLINE

the screen makes the difference

Description:  
Mot

Codice univoco:  
MO250#1096

Product Code:  
MO250XWT

Encumbrance: 260x15x15

Drawer:  
F.T.

VCode:  
UT-0003936.iam

Weight:  
20 kg

Shipping weight:  
24 kg

Shipping dimensions: 280x18x18

Date:  
01/11/2020

Sheet:  
A3

Scale:  
1 : 15