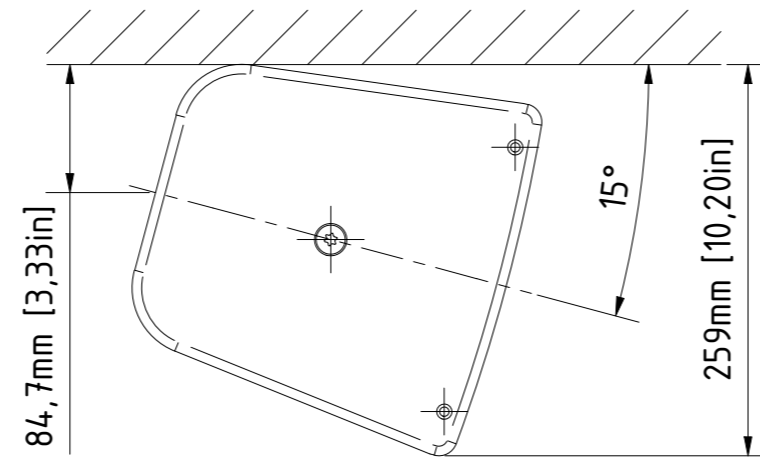
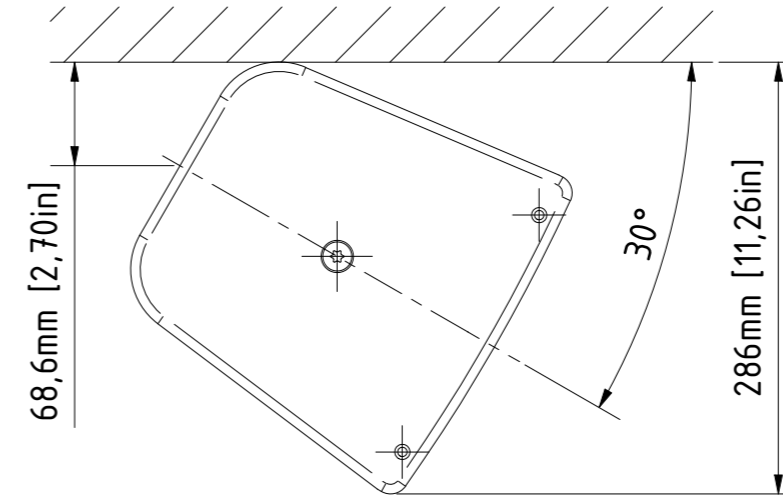


bottom view

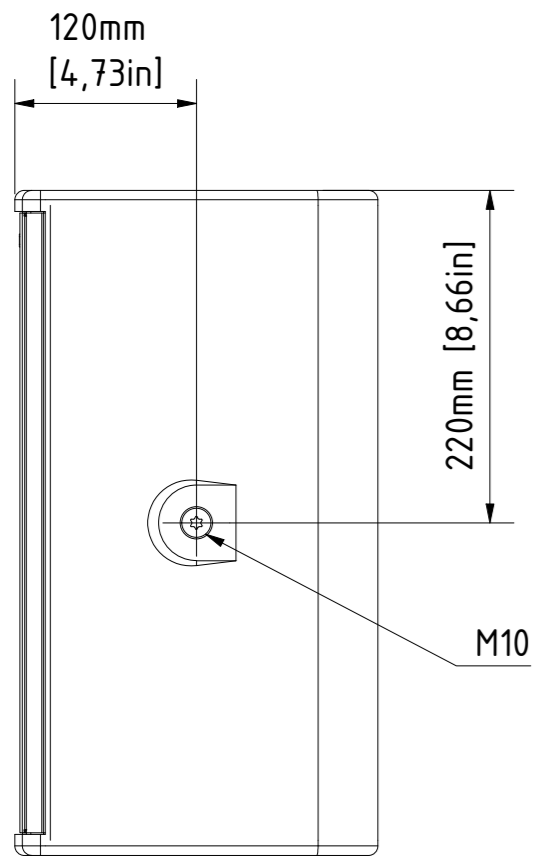
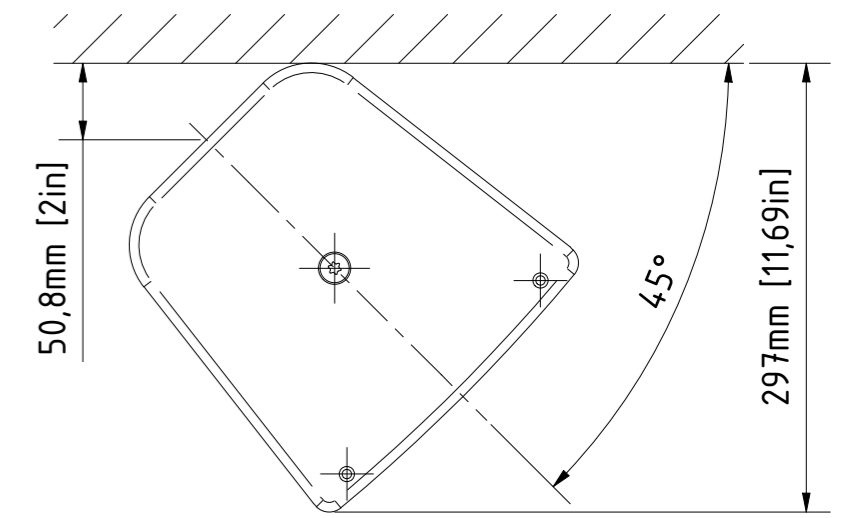
Limit dimensions at 15° downtilt



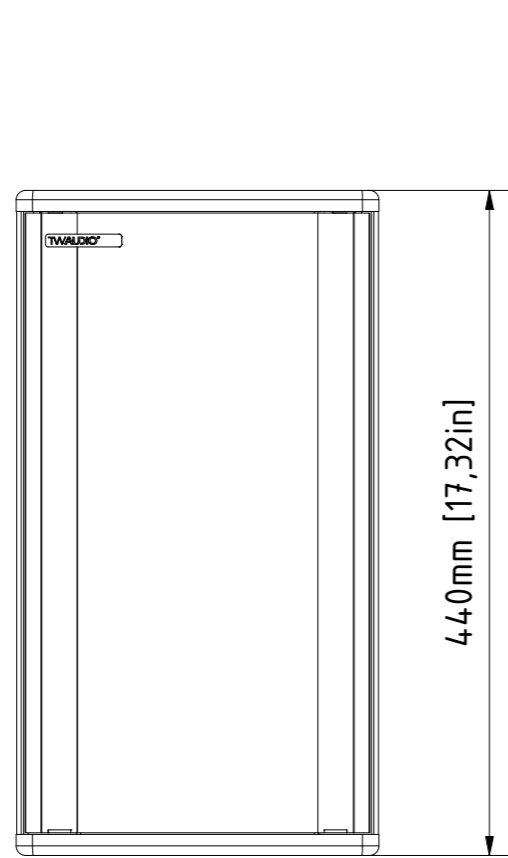
Limit dimensions at 30° downtilt



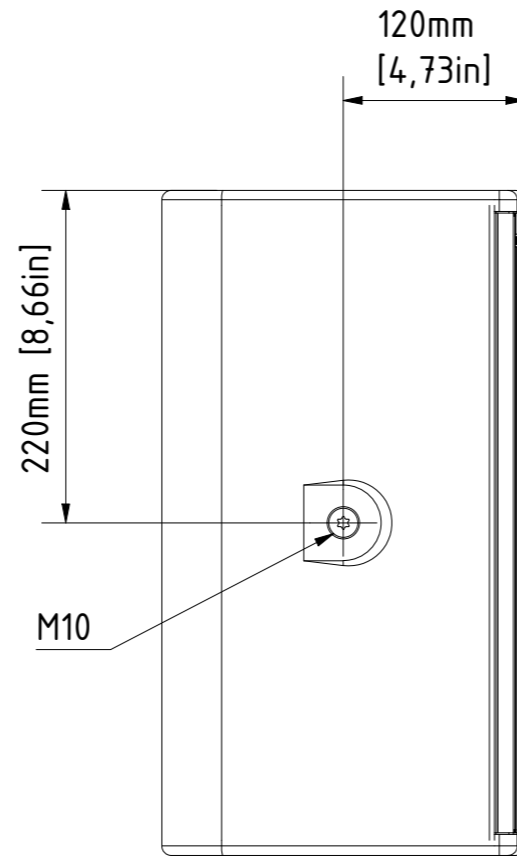
Limit dimensions at 45° downtilt



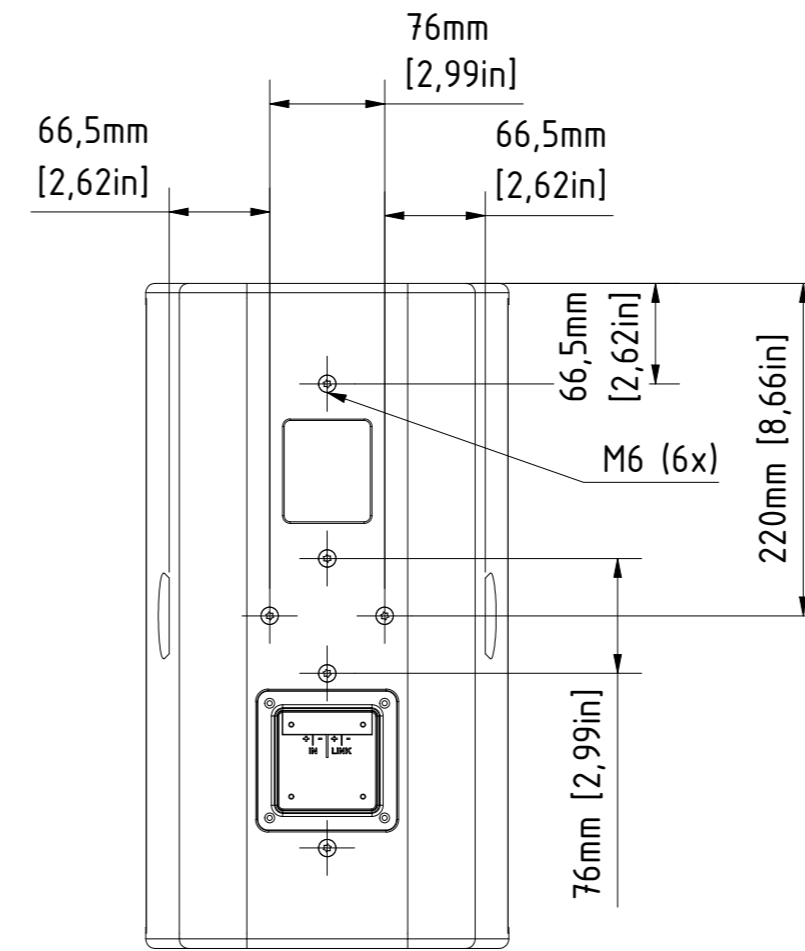
right view



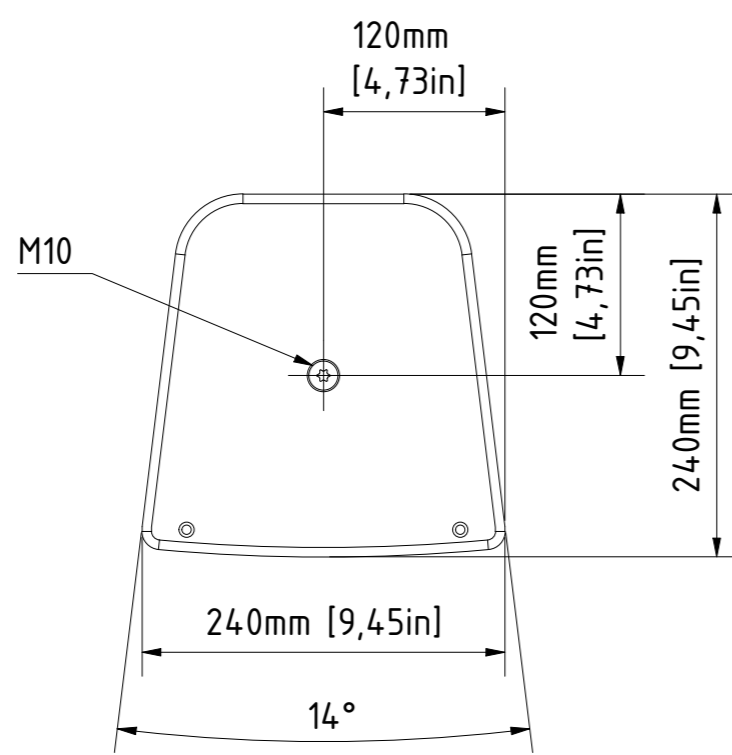
front view



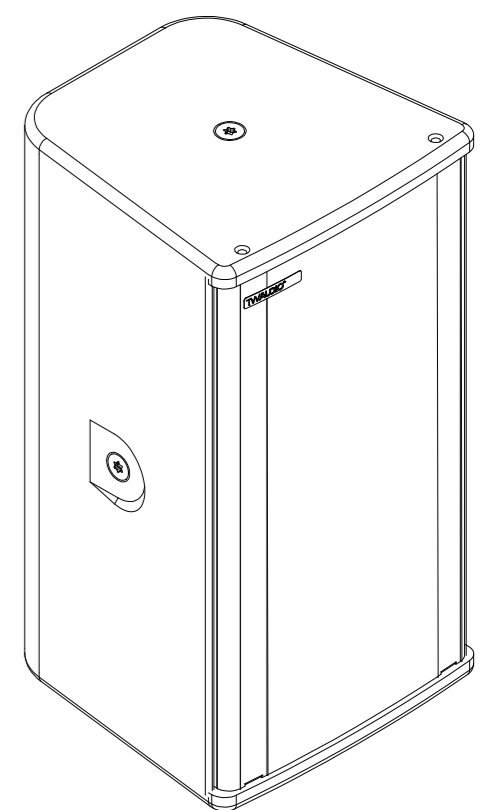
left view



rear view



top view



0		06.05.2019	Heike Konrad
rev. no.		date	modified by
revision process			
TWAUDIO Osterholzallee 140-2 71636 Ludwigsburg www.twaudio.de		scale:	1:5 (1:10)
		weight:	10,3 kg [23 lbs]
All rights to this drawing reserved in accordance with ISO 16016. Copying and distribution by manufacturer's permission only.		document type:	overview drawing
		order number:	5235
general tolerance ISO 2768-mK ISO 13920-BF ISO 9013-IIA/K according to ISO 8015		status type:	released
		type:	M8i
edges according to ISO 13715 surfaces (Ra) array 2 array 3 according to ISO 1302		constructed:	22.01.2018 Stefan Ullrich
		date	name
checked: approved: 06.05.2019 Heike Konrad C:\CAD\TWAUDIO\CAD-Daten\Entwicklungs\M8i\M8i_kpl.dwg		drawn:	06.03.2018 Stefan Ullrich
		checked:	name
drawing number: TWA-M8i-0001		revision no.:	0
		sheet:	1
		total sheets:	1
		sheet:	AZ