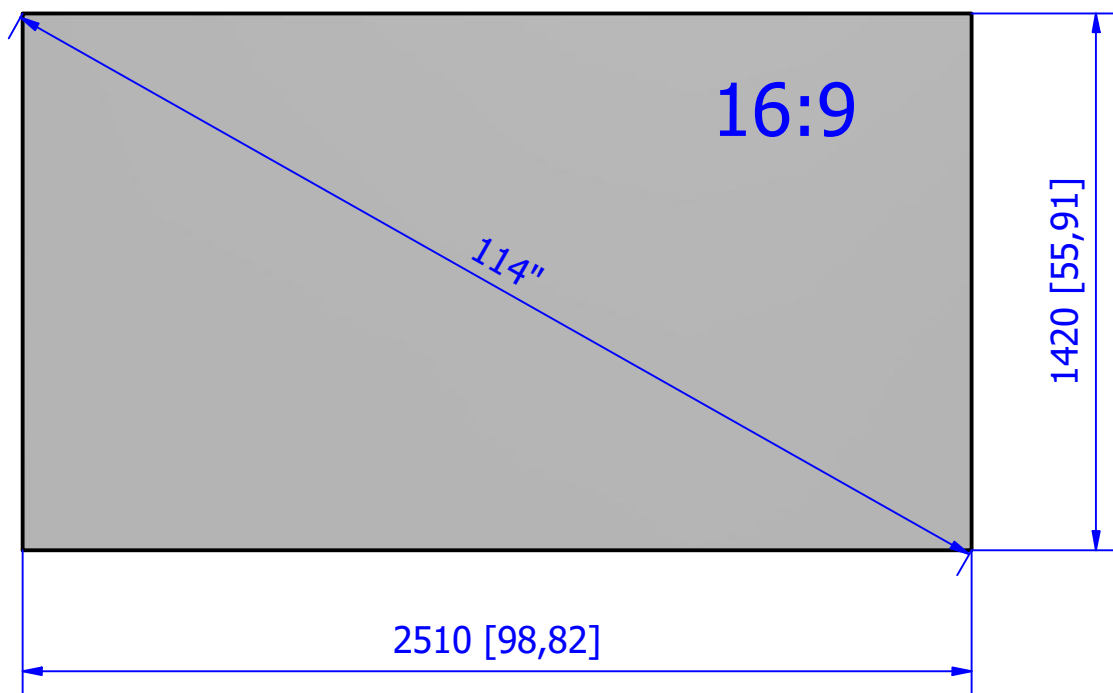
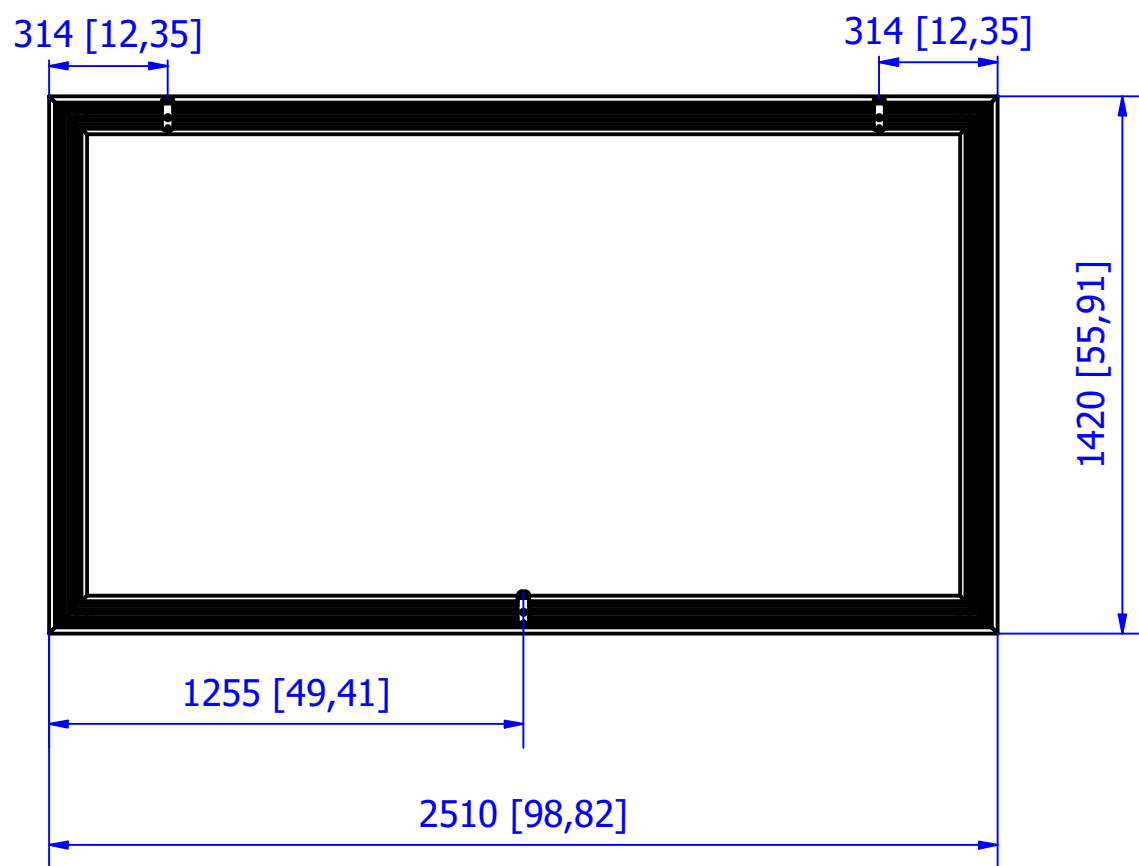


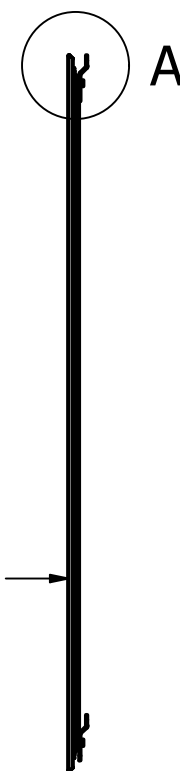
FRONT



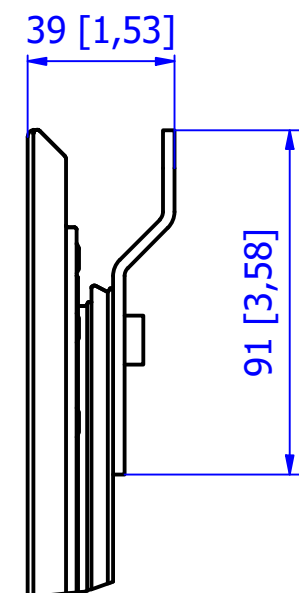
REAR



VIEWING SIDE



A ( 1 : 2 )



Dimensions are in mm [inch]

SCREENLINE

the screen makes the difference

Description:  
Living full vision 250x141

Weight:  
12 Kg

Code:  
UT-0005237

Drawer:  
F.Trainotti

Name:  
UT-0005237.iam

Date:  
13/07/2020

Sheet:  
A3

Scale:  
1 : 20

Please notice that all dimensions are subject to conventional industry tolerances.