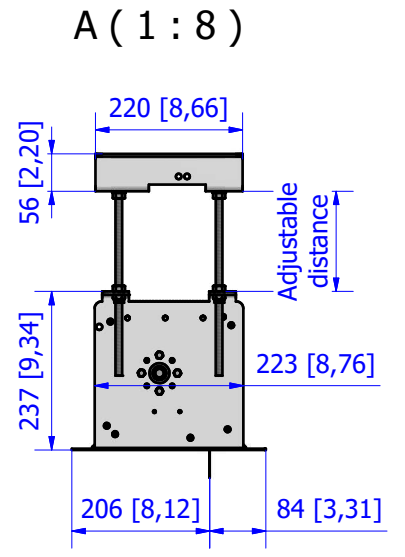


A

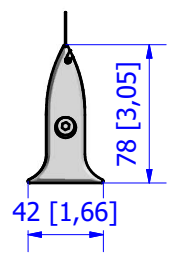


A ( 1 : 8 )



Viewing side

B ( 1 : 3 )



For ceiling cut out: 5790mm [227,95] x 255 [10,04]

|  |  |                                      |                                  |  |                                       |                                 |
|--|--|--------------------------------------|----------------------------------|--|---------------------------------------|---------------------------------|
| Dimensions are in mm [inch]<br>According on the required fabric, a welding line may be present<br>Please notice that all dimensions are subject to conventional industry tollerances |  | Description:<br><b>Lodo Evo Tens</b> |                                  | Codice univoco:<br><b>IE520#0472</b>                     | Product Code:<br><b>IE520XWI</b>      |                                 |
|  |  | Weight:<br><b>110kg</b>              | Shipping weight:<br><b>152kg</b> | Encumbrance: 577x24x29<br>Shipping dimensions: 600x28x34 | Drawer:<br><b>Gabriele Castlunger</b> | VCode:<br><b>UT-0005813.iam</b> |
|  |  |                                      |                                  | Date:<br><b>22/01/2021</b>                               | Sheet:<br><b>A3</b>                   | Scale:<br><b>1 : 30</b>         |