



Inceiling

Motorized concealed screen

SCREENLINE



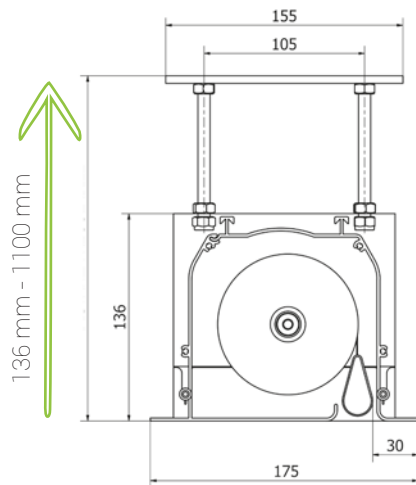
100 110 120 150 170 190 215 240 290 325 340 390 440 500 600 650

16:9
16:10 4:3

Inceiling

The invisible screen, when closed it is completely concealed in the false ceiling. It features an extremely flat fabric thanks to the external front fall and it is easily installed due to the exclusive easy-cut system which greatly simplifies the operations. A strikered stencil gives the right measure of the portion of ceiling to cut.

The distancing bars which allow positioning the screen from 136 mm. up to a maximum of 1,100 mm. from the ceiling are supplied along with the screen.



SCREEN CHARACTERISTICS

- totally hidden screen
- easy-cut mounting system
- reliable and silent motor
- remote control on request
- fixing brackets adjustable up to 110 cm height
- front fall
- excellent flatness of fabrics
- white counterweight

SURFACE OPTIONS

- White Ice
- Home Vision
- Microperforated
- Grey High Contrast
- Coral rear-projection

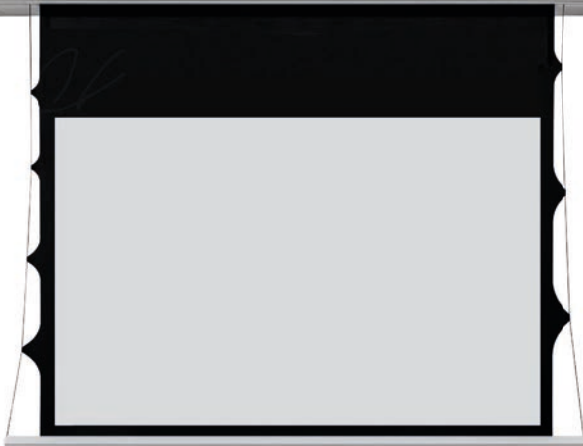
16:9

16:10

4:3

Inceiling tensioned

Inceiling is also available in the tensioned version. The projection surface features a lateral tensioning system which grants perfect flatness of the fabric even after years of intense use.



Easy and quick installation thanks to the stencil sticker to measure for cutting the ceiling.



White tensioning on request.

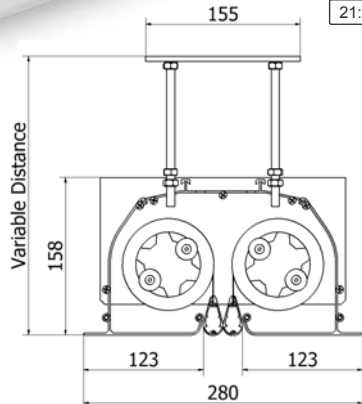
Inceiling biformat

2 motors
2 surfaces
2 formats
2 screens

16:9

16:10

21:9



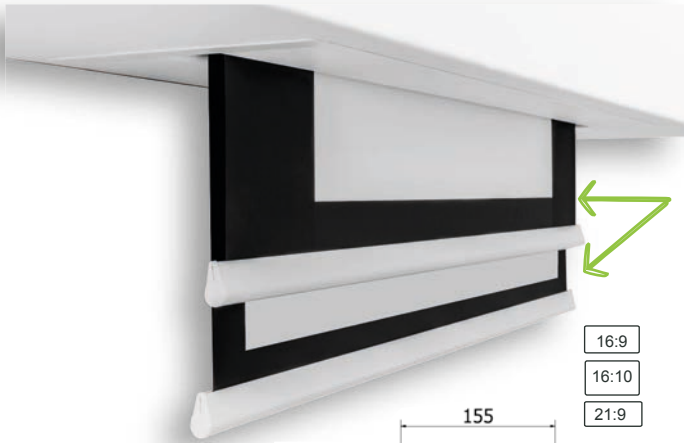
Designed for the most demanding, Inceiling biformat offers 2 screens in 1. The box contains 2 motors arranged one in front of the other with 2 different fabrics which work independently. This feature offers therefore multiple combinations. It is possible to install two fabrics with different video formats, e.g., 21:9 and 16:9, or, if placed in front of a window, an obscuring fabric and a projection one. With two counterposed fabrics, it is possible to project on both sides or on a front-projection fabric and on a rear-projection one. In a conference hall it might be useful to have one of the fabrics reproducing the logo of the hotel or the congress centre in digital print plus a projection fabric to be rolled down only when needed.

SCREEN CHARACTERISTICS

- double, independent motorization
- possibility to interface with home automation systems
- see all the other characteristics of standard Inceiling

SURFACE OPTIONS

- White Ice
- Home Vision
- Microperforated
- Grey High Contrast
- Coral rear-projection
- Blinding surface
- Fabric for digital print





1 black adjustable surface
1 projection surface
2 motors
5 formats

Inceiling multiformat

Inceiling multiformat is the best performing motorized screen of the range. The box contains 2 motors arranged one in front of the other which minimize the distance between the two fabrics, one black and the other for projecting. The two fabrics interact and create up to 8 format combinations.

The new motors with in-built encoder and dedicated electronic control unit independently operate the movements of the two fabrics. They are activated by the radio-frequency remote control supplied or by any home automation system available on the market.

By programming the control unit it is possible to raise and lower the screen and adjust the formats as needed with 5 mm. Precision.

- 21:9
- 1.85:1
- 16:9
- 16:10
- 4:3



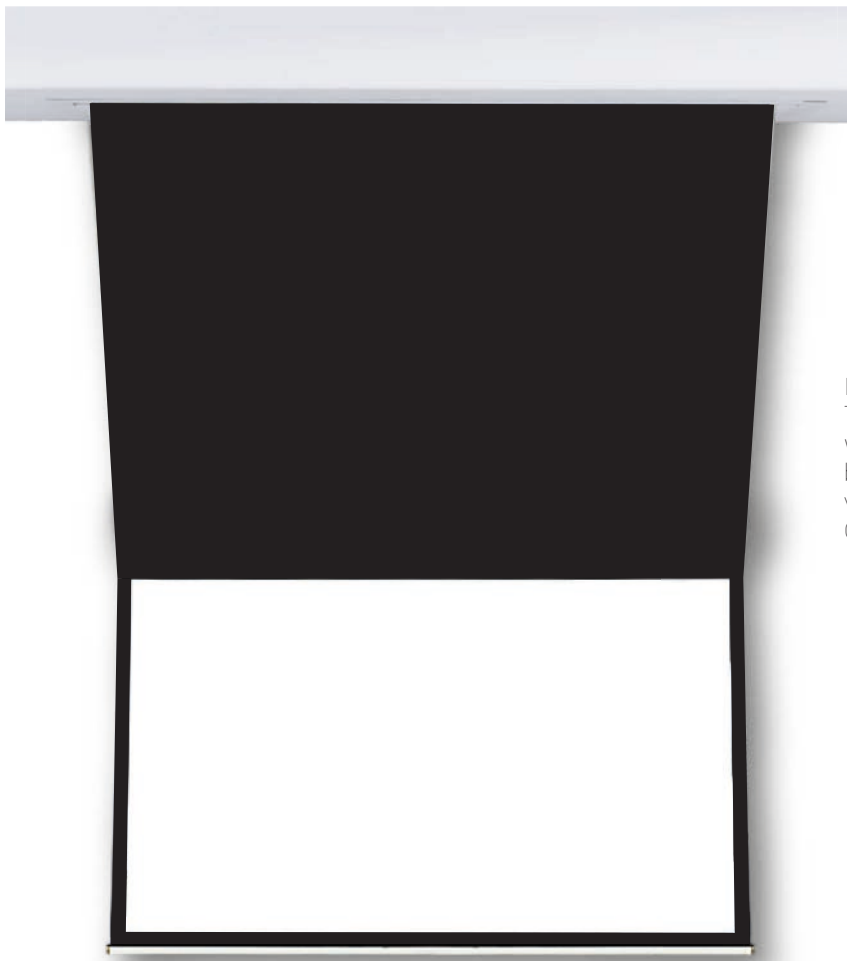
- dedicated electronic control unit
- versatile radio-frequency remote control for other household uses such as curtains, rolling shutters and motorized systems in general

SCREEN CHARACTERISTICS

- double motorization with in-built encoders
- up to eight customized formats, five of which are pre-set
- interfaceable with home automation systems via RS485 port
- infrared and radio-frequency remote control supplied
- see all the other characteristics of standard Inceiling

SURFACE OPTIONS

- White Ice
- Home Vision
- Microperforated
- Grey High Contrast



Extra Drop

Inceiling can be ordered with an Extra Drop.
This further extension of the black drop solves the problem when installing on high ceilings where we want to hide the box and in general in order to reach the correct level of viewing area.
Customizable height of the drop from 30 cm. up to 160 cm.