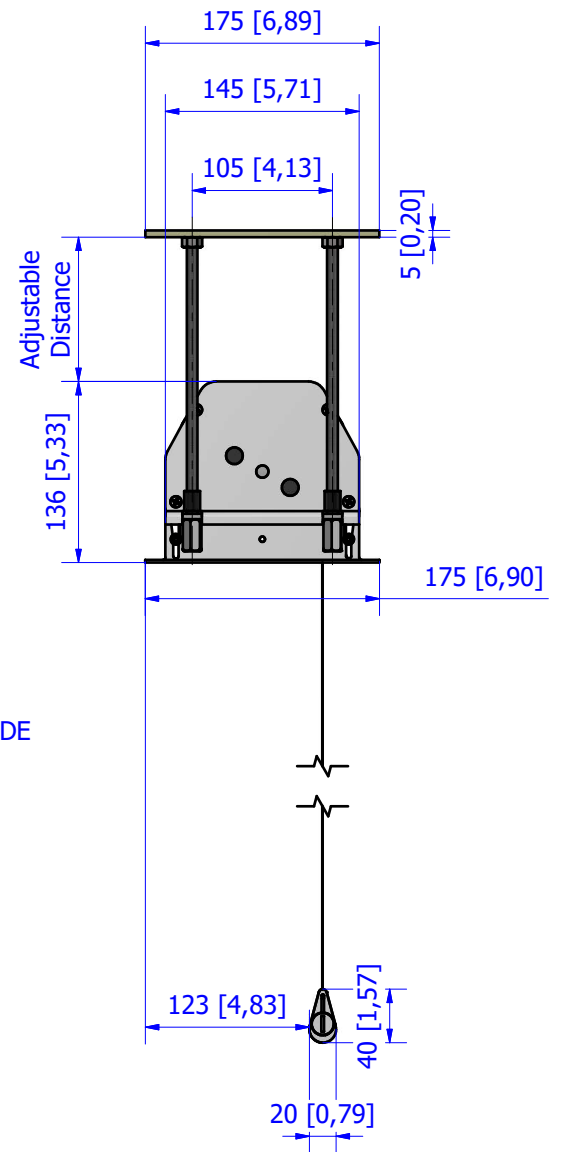


VIEWING SIDE



Cut out for false ceiling: 2165 x 155 mm

Dimensions are in mm [inch]		 <p>the screen makes the difference</p>		Description: Inceiling		Codice univoco: Standard		Product Code: IC200AXX			
According on the required fabric, a welding line may be present				Weight: 17kg	Shipping weight: 24kg	Encumbrance: 219x18x14		Drawer: F.A.		VCode: UT-0009894.iam	
Please notice that all dimensions are subject to conventional industry tollerances						Shipping dimensions: 235x23x23		Date: 18/02/2021		Sheet: A3	Scale: 1 : 15