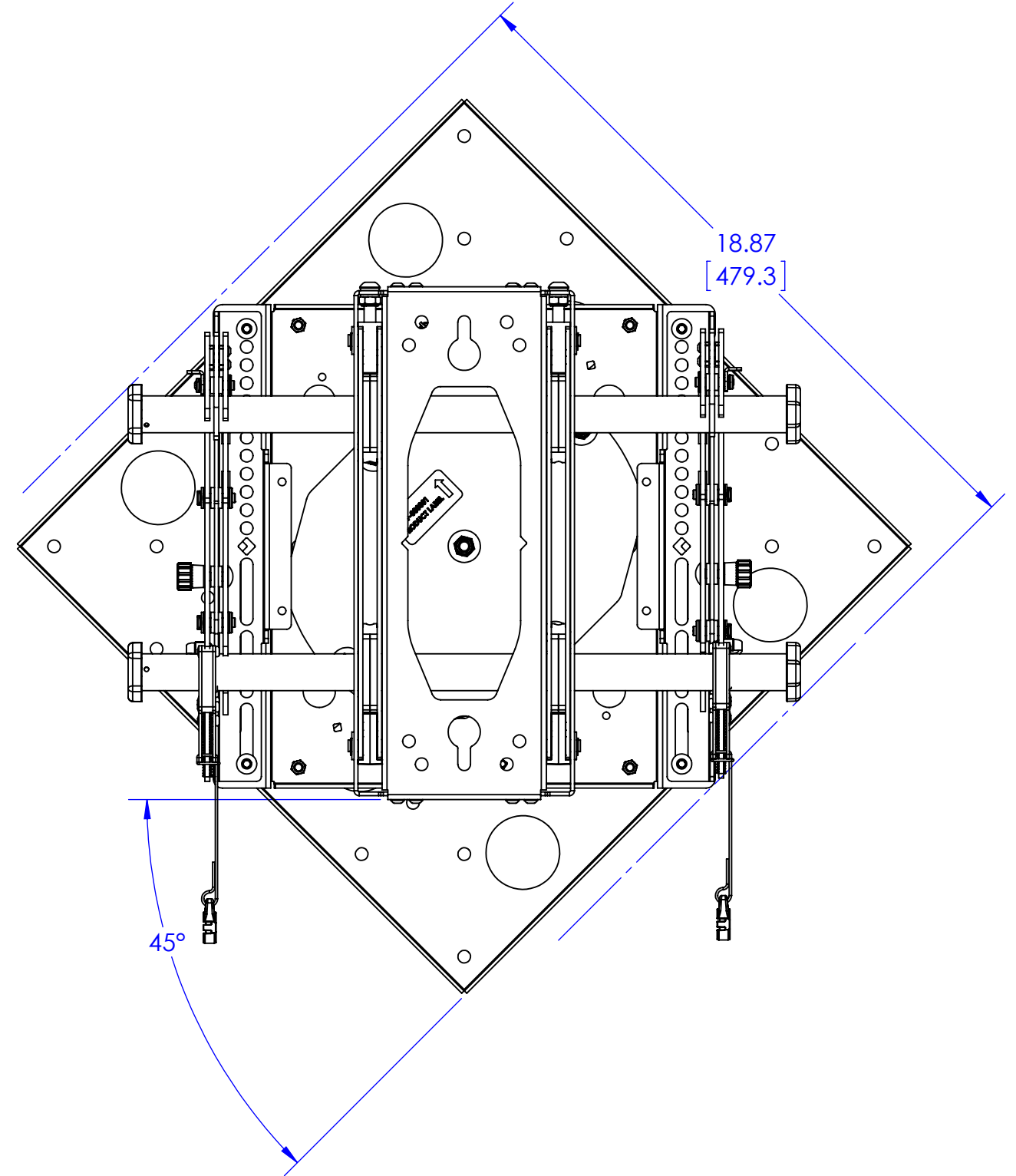
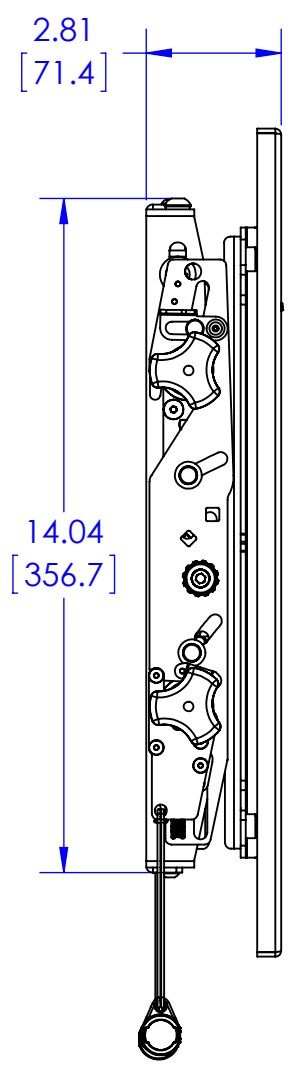
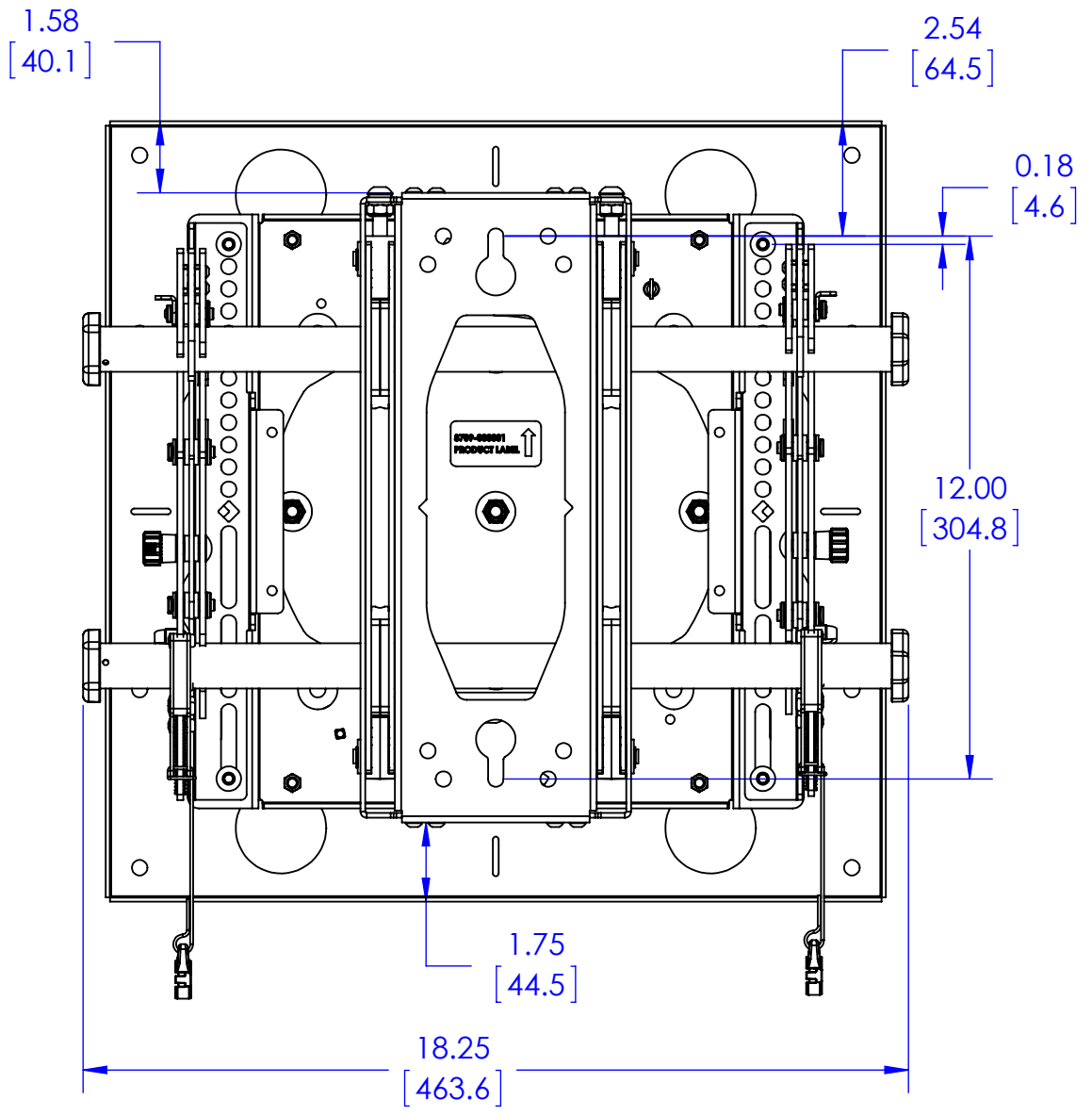


THE INFORMATION AND DESIGNS CONTAINED IN THIS DRAWING ARE CONFIDENTIAL AND THE PROPRIETARY PROPERTY OF MILESTONE AV TECHNOLOGIES NEITHER THIS DESIGN NOR ANY INFORMATION CONTAINED IN THIS DRAWING MAY BE REPRODUCED OR DISCLOSED TO OTHERS WITHOUT THE EXPRESS WRITTEN CONSENT OF MILESTONE AV TECHNOLOGIES.

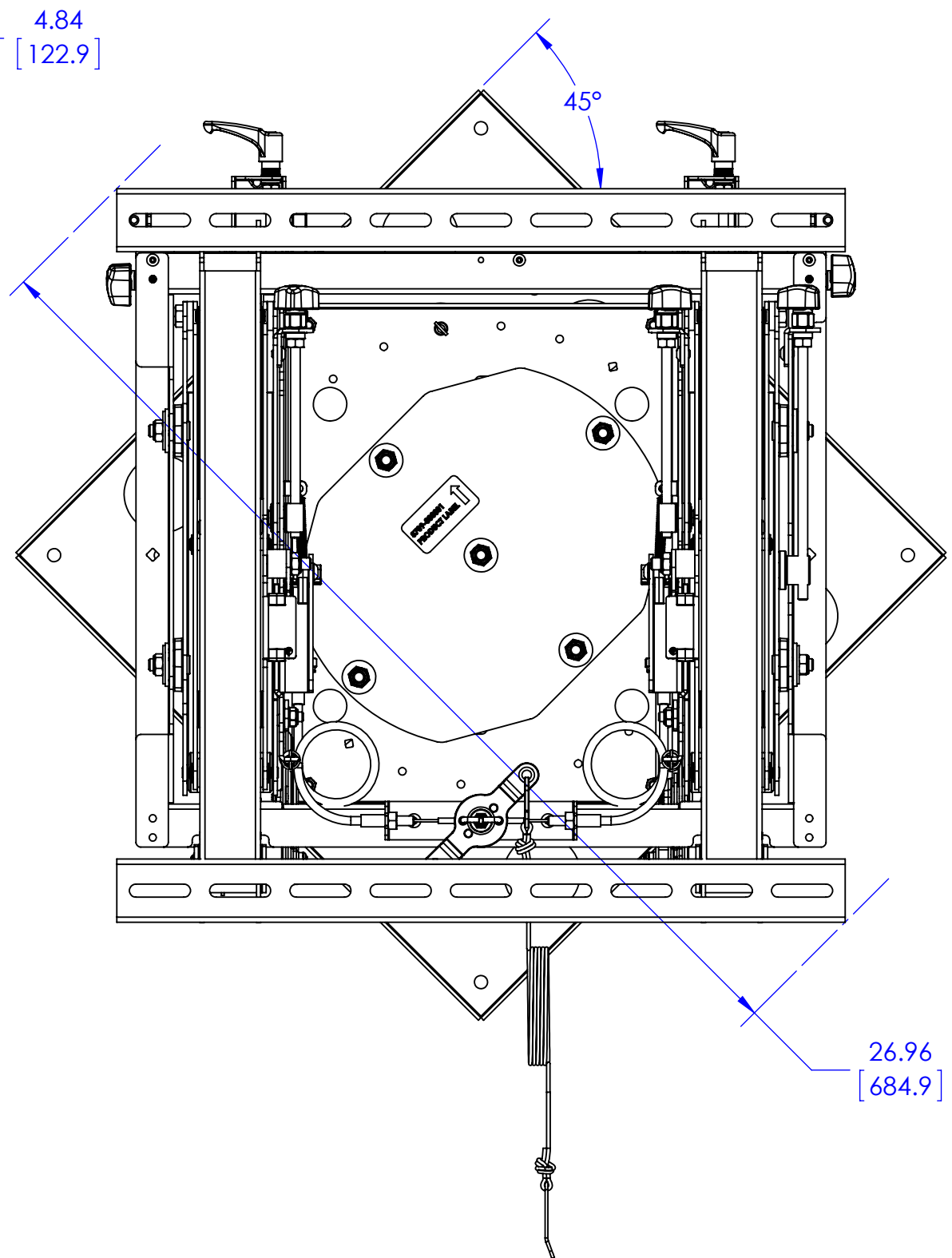
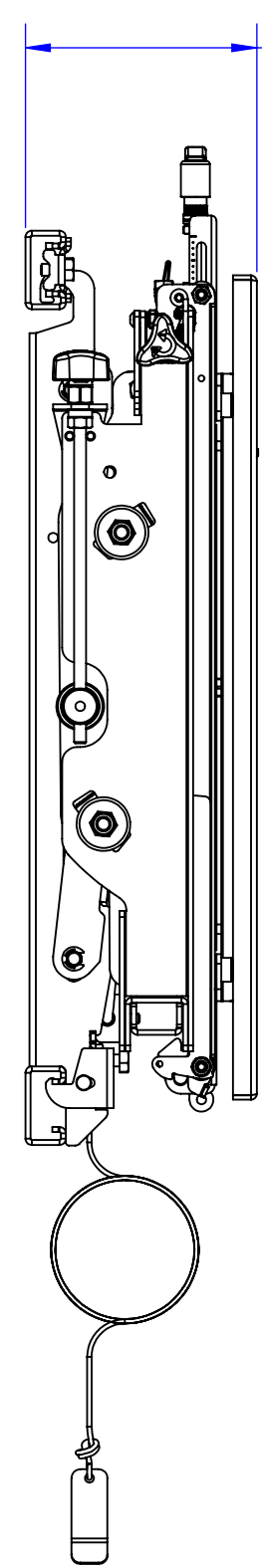
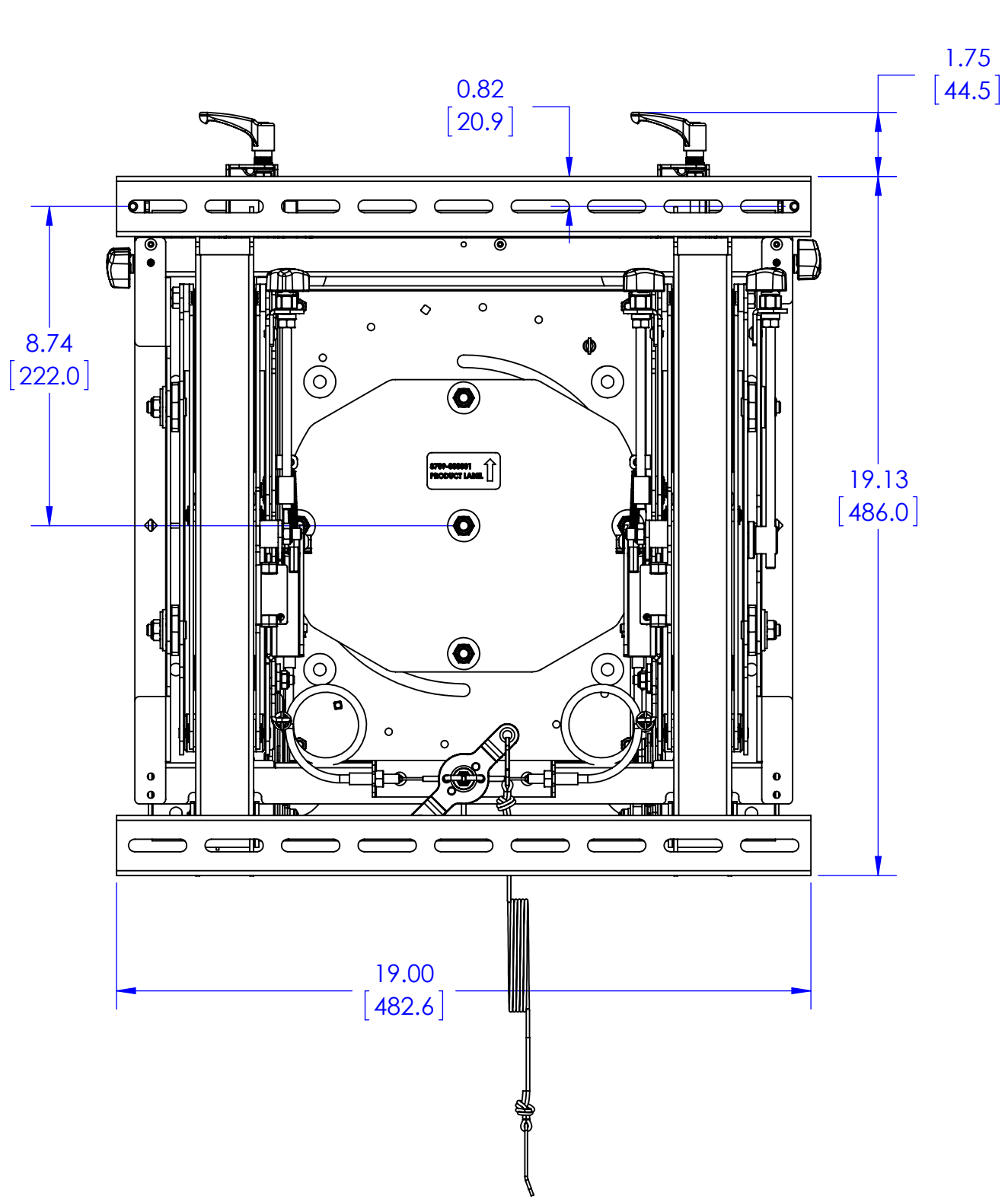
CAD GENERATED DRAWING, DO NOT MANUALLY UPDATE.			6436 CITY WEST PKWY EDEN PRAIRIE MN, 55344 PHONE: 866-977-3901 FAX: 877-894-6918
DRAWN BY	JAB	12/1/2016	
ENG APPROVAL			DESCRIPTION ROTATION ADAPTER ACCESSORY
MFG APPROVAL			MODEL NO. FRA
QA APPROVAL			SIZE DWG. NO. REV. B TECH-000831 00
SHEET 1 OF 4			SCALE 1:4

**SHOWN WITH MTMS1U
SOLD SEPARATELY**



THE INFORMATION AND DESIGNS CONTAINED IN THIS DRAWING ARE CONFIDENTIAL AND THE PROPRIETARY PROPERTY OF MILESTONE AV TECHNOLOGIES NEITHER THIS DESIGN NOR ANY INFORMATION CONTAINED IN THIS DRAWING MAY BE REPRODUCED OR DISCLOSED TO OTHERS WITHOUT THE EXPRESS WRITTEN CONSENT OF MILESTONE AV TECHNOLOGIES.

CAD GENERATED DRAWING, DO NOT MANUALLY UPDATE.			<p>6436 CITY WEST PKWY EDEN PRAIRIE MN, 55344 PHONE: 866-977-3901 FAX: 877-894-6918</p>
DRAWN BY	JAB	12/1/2016	
ENG APPROVAL			DESCRIPTION ROTATION ADAPTER ACCESSORY
MFG APPROVAL			MODEL NO. FRA
QA APPROVAL			SIZE DWG. NO. B TECH-000831
SHEET 2 OF 4		SCALE 1:4	REV. 00

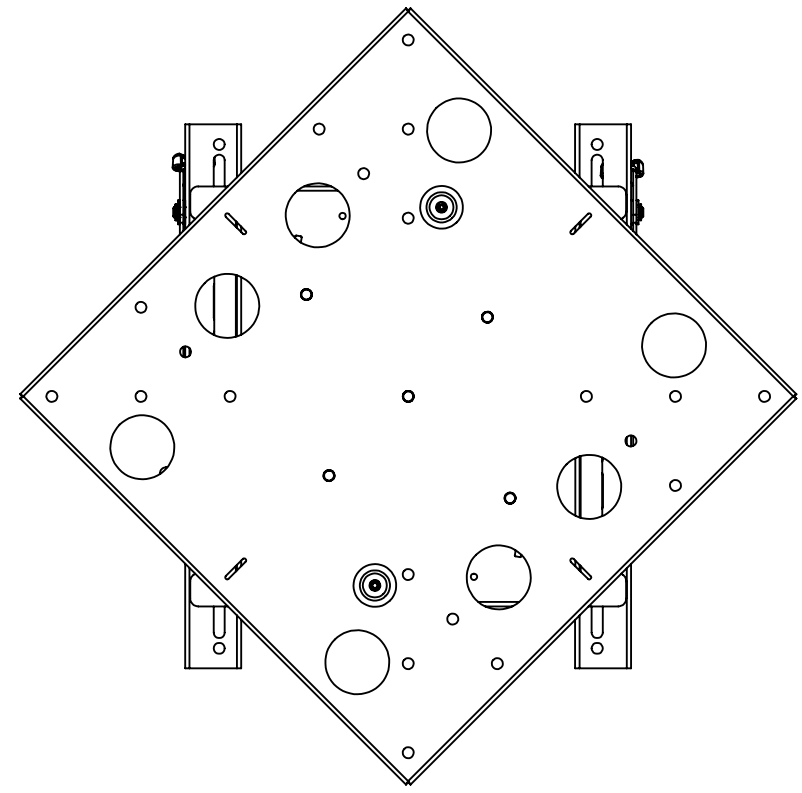
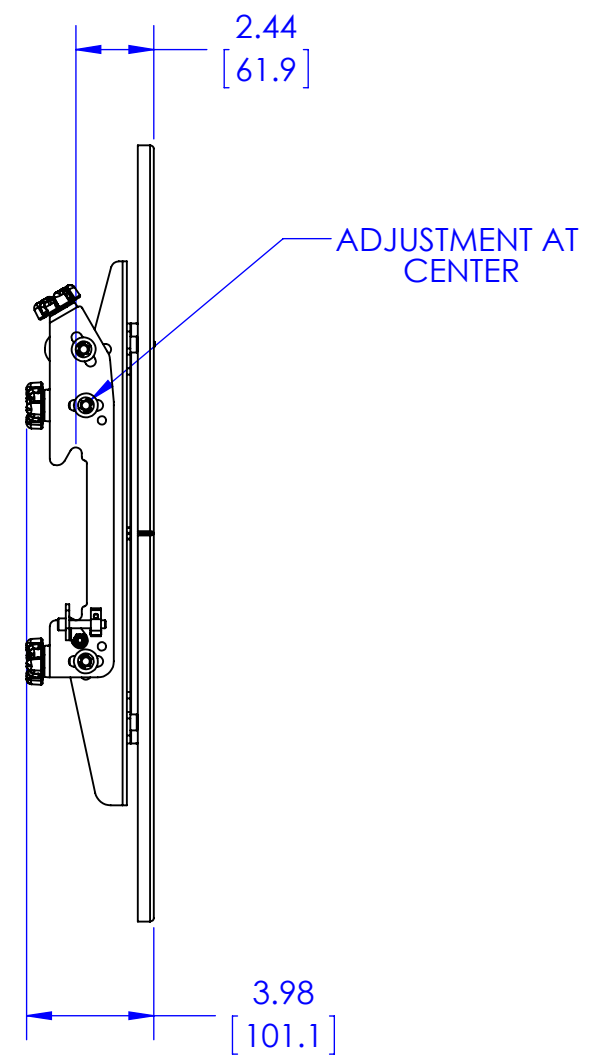
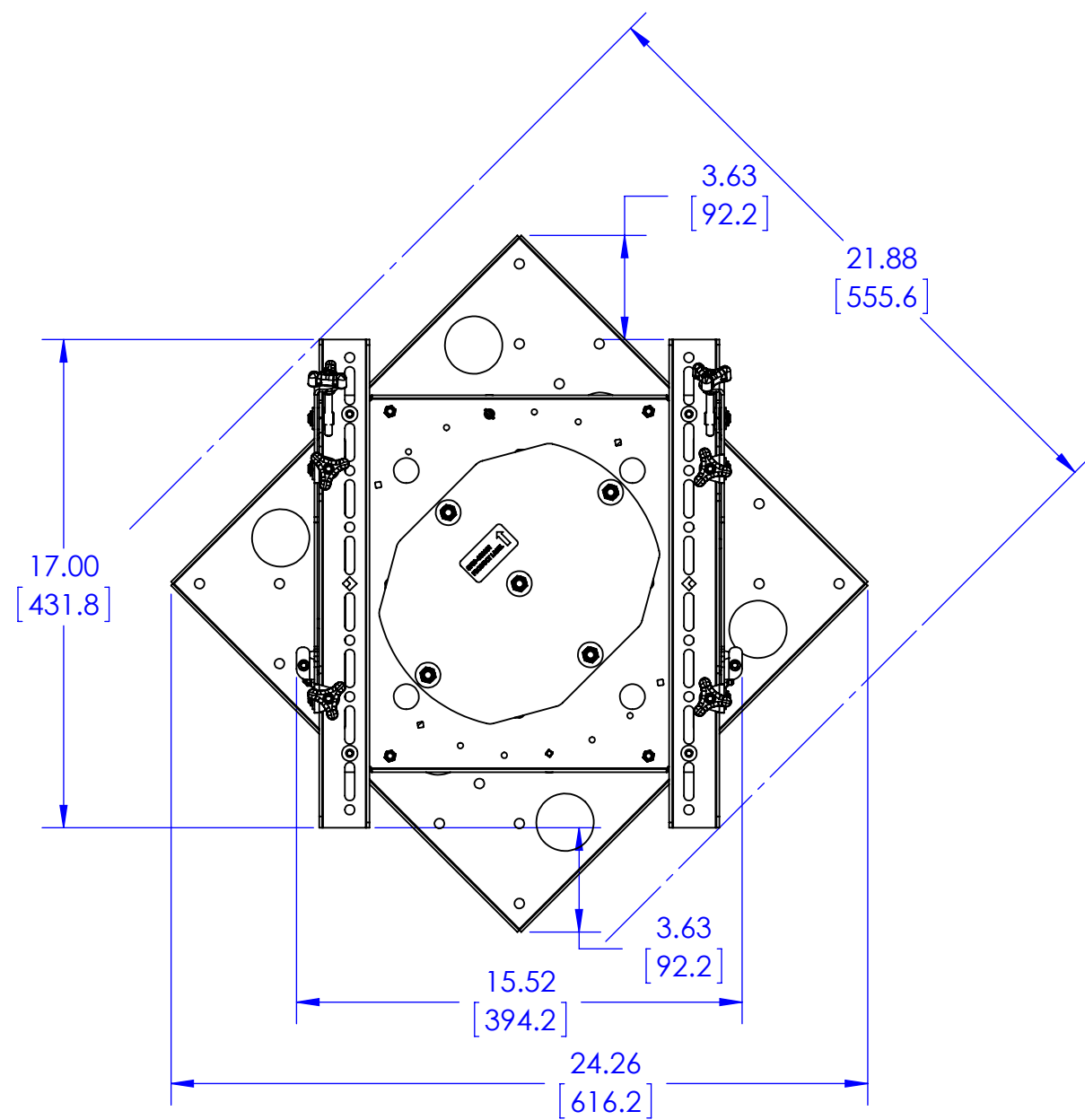


**SHOWN WITH LVS1UP
SOLD SEPARATELY**

THE INFORMATION AND DESIGNS CONTAINED IN THIS DRAWING ARE CONFIDENTIAL AND THE PROPRIETARY PROPERTY OF MILESTONE AV TECHNOLOGIES NEITHER THIS DESIGN NOR ANY INFORMATION CONTAINED IN THIS DRAWING MAY BE REPRODUCED OR DISCLOSED TO OTHERS WITHOUT THE EXPRESS WRITTEN CONSENT OF MILESTONE AV TECHNOLOGIES.

CAD GENERATED DRAWING, DO NOT MANUALLY UPDATE.			CHIEF 6436 CITY WEST PKWY EDEN PRAIRIE MN, 55344 PHONE: 866-977-3901 FAX: 877-894-6918
DRAWN BY	JAB	12/1/2016	
ENG APPROVAL			DESCRIPTION ROTATION ADAPTER ACCESSORY
MFG APPROVAL			MODEL NO. FRA
QA APPROVAL			SCALE 1:8
SHEET 3 OF 4		SIZE B	DWG. NO. TECH-000831
			REV. 00

FMSIML ADJUSTMENTS AT CENTER



**SHOWN WITH FMSIML
(SOLD SEPARATELY)**

THE INFORMATION AND DESIGNS CONTAINED IN THIS DRAWING ARE CONFIDENTIAL AND THE PROPRIETARY PROPERTY OF MILESTONE AV TECHNOLOGIES NEITHER THIS DESIGN NOR ANY INFORMATION CONTAINED IN THIS DRAWING MAY BE REPRODUCED OR DISCLOSED TO OTHERS WITHOUT THE EXPRESS WRITTEN CONSENT OF MILESTONE AV TECHNOLOGIES.

CAD GENERATED DRAWING, DO NOT MANUALLY UPDATE.			6436 CITY WEST PKWY EDEN PRAIRIE MN, 55344 PHONE: 866-977-3901 FAX: 877-894-6918	
DRAWN BY	JAB	12/1/2016		
ENG APPROVAL			DESCRIPTION ROTATION ADAPTER ACCESSORY	
MFG APPROVAL			MODEL NO. FRA	
QA APPROVAL			SIZE B	DWG. NO. TECH-000831
SHEET 4 OF 4			SCALE 1:8	REV. 00