

► Features

- Protects & transports up to 12 units of 19" equipment (front)
- Slanted space for 19" mixer / controller up to 11 units (top)
- Rear door with cable entry for easy access & connection
- Detachable front & top cover
- ProShield™ Heavy duty top layer
- High quality 9 mm plywood
- Hardware by penn-ELCOM™
- Punched square holes for use with snap-in cage nuts

► Description

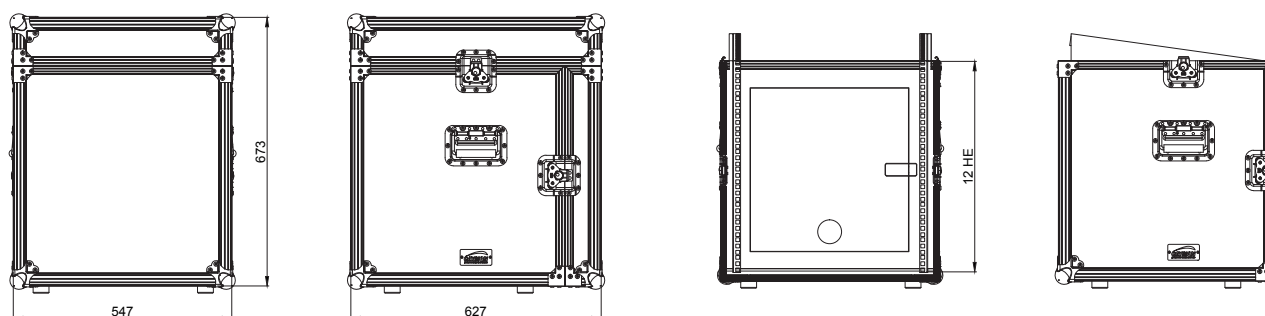
The FCC110 is a combo flightcase with removable top and front cover, compliant to the ANSI/EIA RS-310D, DIN41491 and IEC60297 standards for 19" equipment installation.

The construction is made out of high quality 9 mm plywood covered by a ProShield™ top layer, offering an optimal protection for your equipment. The top section allows installation of 19" mixers or controllers with a maximum height up to 11 units, slanted over an 8 degree angle. The front section allows equipment installation up to maximum 12 units, depending of the top equipment's installation depth. A hinged rear door with cable entry offers easy access to the equipment's rear side. Mounting of the equipment can be done using the perforated rack rail with punched square holes for use with snap-in cage nuts. Superior durability and handling convenience is guaranteed through Penn-Elcom® hardware such as heavy-duty ball corners, rivet protected recessed flip handles and MOL™ type butterfly latches.



penn-ELCOM®

► Technical Drawing



► Specifications

PROPERTY	VALUE
Unit height (Front)	12 HE
Unit height (Top)	11 HE
Width	547 mm
Height	673 mm (incl covers / excl feet)
Depth	627 mm (incl covers)
Max usable depth (front)	525 mm
Max usable depth (top)	Depending of installed equipment
Weight	xxx Kg
Construction	9 mm high-quality plywood
Finishing	ProShield™ top layer
Handles	2 x Medium heavy-duty (H7154Z)
Butterfly latches	4 x Medium MOL™ (L907/928/10) 1 x Small (L903/7336Z - rear door)

► Optional Accessories

ARTICLE	DESCRIPTION
KM500	M5 Cage nut
KS600	M5 x 16 mm bolt DIN7985 Black
KM600	M6 Cage nut
KS600	M6 x 16 mm bolt DIN7985 Black
FCB104	Caster board (530 x 560 mm)
BSFxxx	19" blind panels (1 to 6U)
BSVxxx	19" ventilated blind panels (1 to 6U)

Wide range of 19" accessories on www.caymon.eu