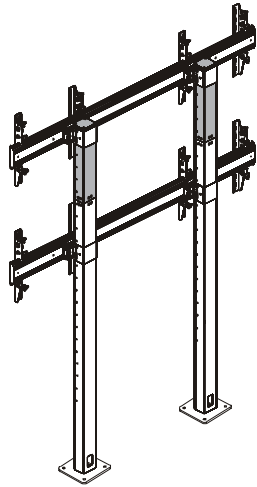
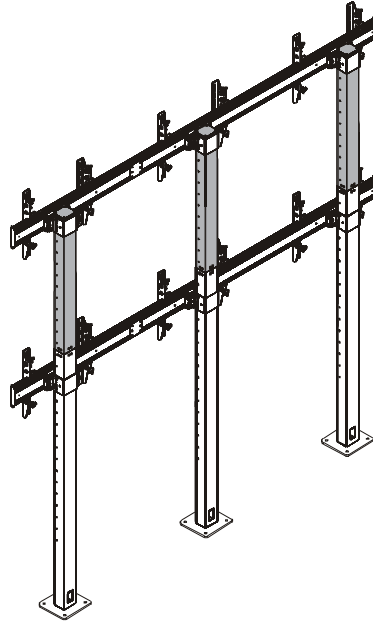

INSTALLATION INSTRUCTIONS



FCABX18 with LBM2X2



FCABX36 with LBM3X2

Bolt-Down Video Wall Column Extensions

DISCLAIMER

Milestone AV Technologies and its affiliated corporations and subsidiaries (collectively “Milestone”), intend to make this manual accurate and complete. However, Milestone makes no claim that the information contained herein covers all details, conditions or variations, nor does it provide for every possible contingency in connection with the installation or use of this product. The information contained in this document is subject to change without notice or obligation of any kind. Milestone makes no representation of warranty, expressed or implied, regarding the information contained herein. Milestone assumes no responsibility for accuracy, completeness or sufficiency of the information contained in this document.

Chief® is a registered trademark of Milestone AV Technologies. All rights reserved.



IMPORTANT SAFETY INSTRUCTIONS



WARNING: A WARNING alerts you to the possibility of serious injury or death if you do not follow the instructions.



CAUTION: A CAUTION alerts you to the possibility of damage or destruction of equipment if you do not follow the corresponding instructions.



WARNING: Failure to read, thoroughly understand, and follow all instructions can result in serious personal injury, damage to equipment, or voiding of factory warranty! It is the installer’s responsibility to make sure all components are properly assembled and installed using the instructions provided.

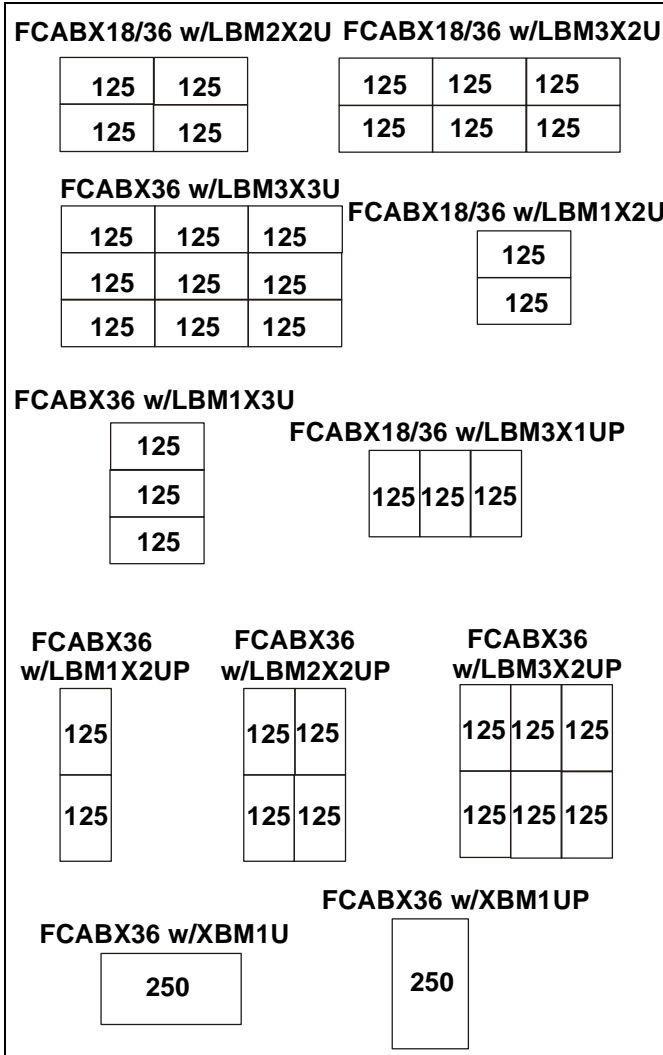


WARNING: Failure to provide adequate structural strength for this component can result in serious personal injury or damage to equipment! It is the installer’s responsibility to make sure the structure to which this component is attached can support five times the combined weight of all equipment. Reinforce the structure as required before installing the component.



WARNING: Exceeding the weight capacity can result in serious personal injury or damage to equipment! It is the installer’s responsibility to make sure the combined weight of each display and attached accessories does not exceed the limits listed in the table.

MODEL	Max Weight Allowed for <u>EACH</u> Display	Max Weight Capacity of Mounting System
FCABX18/36 w/LBM2X2U	125 lbs (56.7 kg)	500 lbs (226.8 kg)
FCABX18/36 w/LBM3X2U	125 lbs (56.7 kg)	750 lbs (340.2 kg)
FCABX36 w/LBM3X3U	125 lbs (56.7 kg)	1125 lbs (510.3 kg)
FCABX18/36 w/LBM1X2U	125 lbs (56.7 kg)	250 lbs (113.4 kg)
FCABX36 w/LBM1X3U	125 lbs (56.7 kg)	375 lbs (170.1 kg)
FCABX36 w/LBM1X2UP	125 lbs (56.7 kg)	250 lbs (113.4 kg)
FCABX18/36 w/LBM3X1UP	125 lbs (56.7 kg)	375 lbs (170.1 kg)
FCABX36 w/LBM2X2UP	125 lbs (56.7 kg)	500 lbs (226.8 kg)
FCABX36 w/LBM3X2UP	125 lbs (56.7 kg)	750 lbs (226.8 kg)
FCABX36 w/XBM1U	250 lbs (113.4 kg)	250 lbs (113.4 kg)
FCABX36 w/XBM1UP	250 lbs (113.4 kg)	250 lbs (113.4 kg)



WARNING: Do not use this product outdoors.

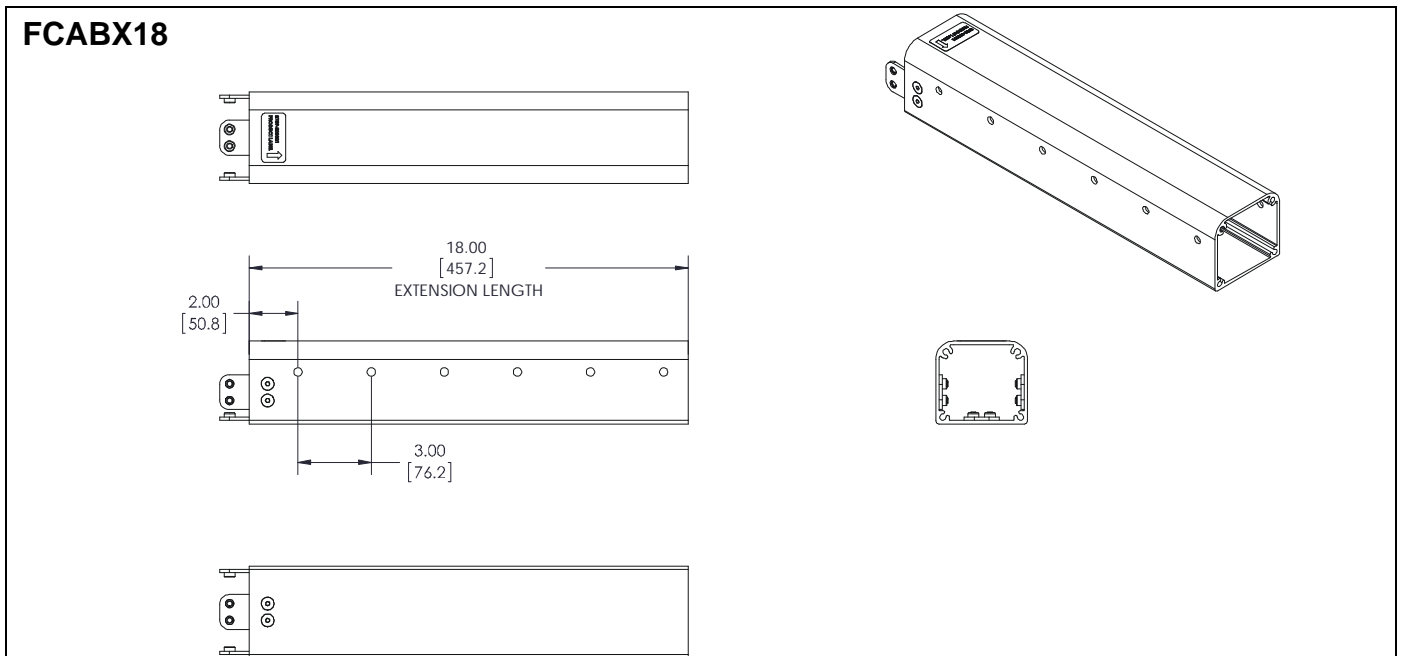
NOTE: The FCABX18 and FCABX36 have no user serviceable parts.

NOTE: The FCA add-on columns may be used with the following UL Listed models: FCABX18 may be used with LBM2X2U, LBM3X2U, LBM1X2U and LBM3X1UP. FCABX36 may be used with LBM2X2U, LBM3X2U, LBM3X3U, LBM1X2U, LBM1X3U, LBM3X1UP, LBM1X2UP, LBM2X2UP AND LBM3X2UP, XBM1U and XBM1UP. If installing FCABX36 to LBM3X3U, LBM1X3U, LBM3X1UP, LBM1X2UP, LBM2X2UP, LBM3X2UP, XBM1U or XBM1UP the 36" extension will be used in place of the 18" extension.

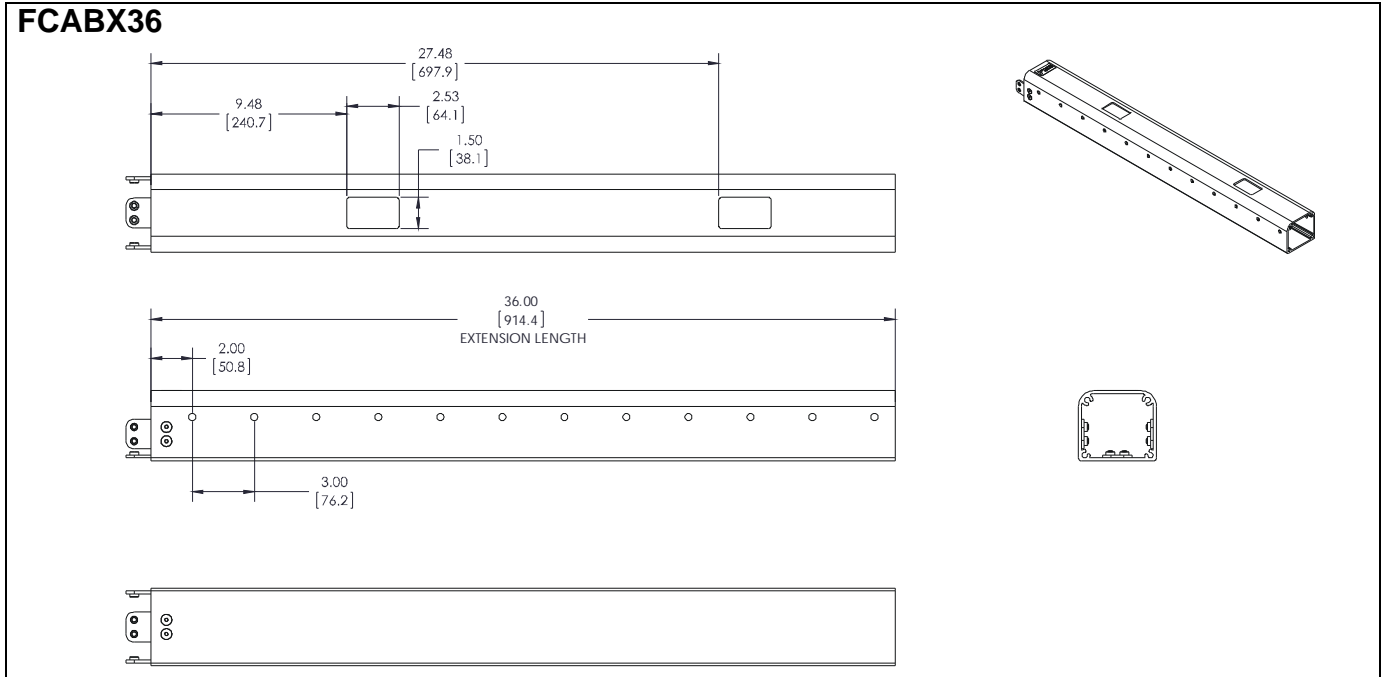
NOTE: The FCA add-on columns may NOT be used with the UL Listed LVM2X2U, LVM3X2U, LVM3X3U, LVM2X2UP, LVM3X2UP and LVM3X1UP!

--SAVE THESE INSTRUCTIONS--

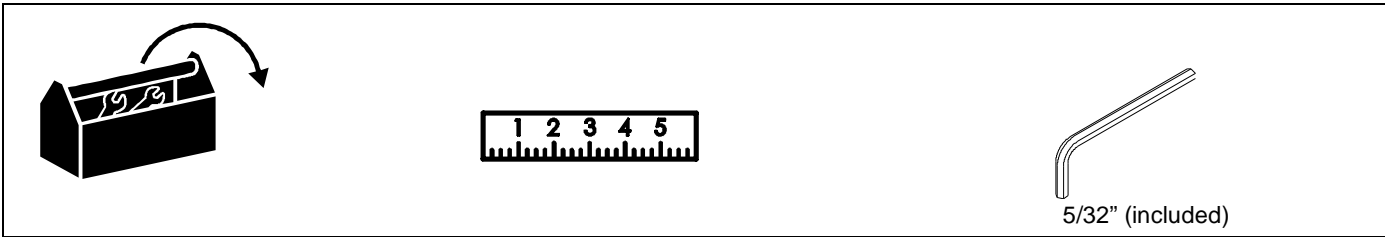
DIMENSIONS



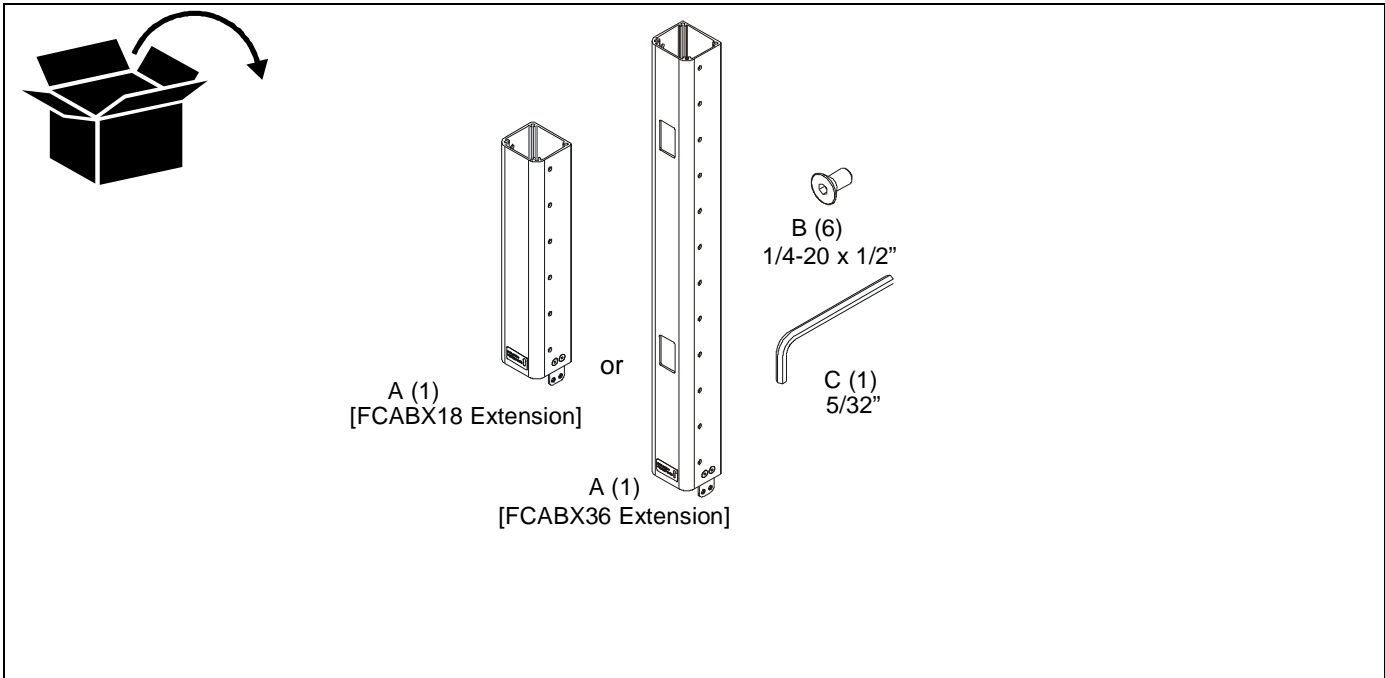
DIMENSIONS (CONTINUED)








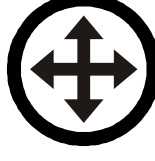






TOOLS REQUIRED FOR INSTALLATION



PARTS



LEGEND

	Tighten Fastener Apretar elemento de fijación Befestigungsteil festziehen Apertar fixador Serrare il fissaggio Bevestiging vastdraaien Serrez les fixations		Pencil Mark Marcar con lápiz Stiftmarkierung Marcar com lápis Segno a matita Potloodmerkteken Marquage au crayon
	Loosen Fastener Aflojar elemento de fijación Befestigungsteil lösen Desapertar fixador Allentare il fissaggio Bevestiging losdraaien Desserrez les fixations		Drill Hole Perforar Bohrloch Fazer furo Praticare un foro Gat boren Percez un trou
	Phillips Screwdriver Destornillador Phillips Kreuzschlitzschraubendreher Chave de fendas Phillips Cacciavite a stella Kruiskopschroevendraaier Tournevis à pointe cruciforme		Adjust Ajustar Einstellen Ajustar Regolare Afstellen Ajuster
	Open-Ended Wrench Llave de boca Gabelschlüssel Chave de bocas Chiave a punte aperte Steeksleutel Clé à fourche		Remove Quitar Entfernen Remover Rimuovere Verwijderen Retirez
	By Hand A mano Von Hand Com a mão A mano Met de hand À la main		Optional Opcional Optional Opcional Opzionale Optie En option
	Hex-Head Wrench Llave de cabeza hexagonal Sechskantschlüssel Chave de cabeça sextavada Chiave esagonale Zeskantsleutel Clé à tête hexagonale		Security Wrench Llave de seguridad Sicherheitsschlüssel Chave de segurança Chiave di sicurezza Veiligheidsleutel Clé de sécurité

Assembly And Installation

The following installation instructions assume that the LBM or XBM Series video wall has been assembled prior to the point of installing the rails to the columns. Refer to LBM or XBM Series installation instructions for details.



WARNING: The FCABX18-FCABX36 extensions were designed to be installed to the LBM and XBM Series mounts **ONLY!** Do **NOT** attempt to install these extensions to LVM Series mounts!



WARNING: The FCABX36 extensions are **NOT** compatible with LBM Series mounts manufactured prior to 05/05/2014!

Column Add-On Installation

NOTE: If installing FCABX36 to LBM3X3U, LBM1X3U, LBM3X1UP, LBM1X2UP, LBM2X2UP, LBM3X2UP, XBM1U or XBM1UP, make sure the 18" extensions included with the LBM or XBM mount are not installed. If they are already installed, removed them from each column prior to installing the 36" extension columns.

1. Insert one column add-on (A) to each column making sure holes are lined up on each side. (See Figure 1)
2. Use 5/32" hex key (C) and six 1/4-20 x 1/2" flat head cap screws (B) to secure each column add-on (A) to each column. (See Figure 1)

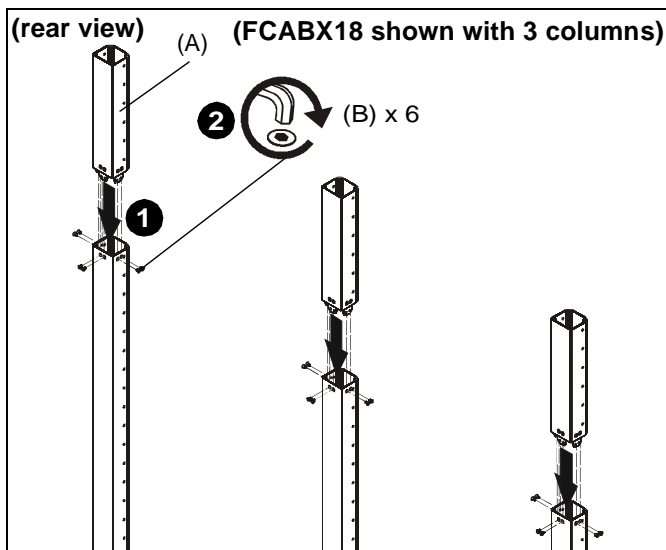


Figure 1

3. Install rails and displays to columns following the LBM or XBM Series Installation Instructions.



Our Mounts. **Your Vision.**

Chief, a products division of
Milestone AV Technologies

8800-002543 Rev02
©2015 Milestone AV Technologies
www.chiefmfg.com
02/15

USA/International	A 6436 City West Parkway, Eden Prairie, MN 55344 P 800.582.6480 / 952.225.6000 F 877.894.6918 / 952.894.6918
Europe	A Franklinstraat 14, 6003 DK Weert, Netherlands P +31 (0) 495 580 852 F +31 (0) 495 580 845
Asia Pacific	A Office No. 918 on 9/F, Shatin Galleria 18-24 Shan Mei Street Fotan, Shatin, Hong Kong P 852 2145 4099 F 852 2145 4477

