

► Features

- Protects & transports up to 6 units of 19" equipment
- 482 mm usable depth
- Detachable front & rear cover
- ProShield™ Heavy duty top layer
- High quality 9 mm plywood
- Hardware by **penn-ELCOM**
- Dual perforated rack rail on both sides
- Punched square holes for use with snap-in cage nuts

► Description

The FC106 is a 6 unit professional double cover flightcase compliant to the ANSI/EIA RS-310D, DIN41491 and IEC60297 standards for 19" equipment installation.

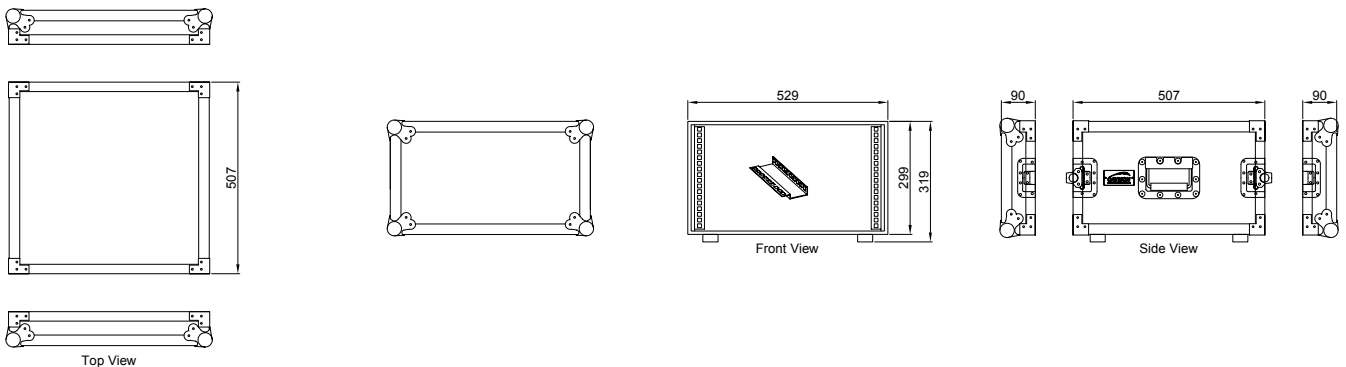
The construction is made out of high quality 9 mm plywood covered by a **ProShield™** top layer, offering an optimal protection for your equipment. Both front and back lids are detachable, allowing instant access to both controls and connections of your equipment. Mounting of the equipment can be done using the perforated rack rail with punched square holes for use with snap-in cage nuts, while the dual structure allows installation of horizontal supports for heavy equipment.

Superior durability and handling convenience is guaranteed through **Penn-Elcom®** hardware such as heavy-duty ball corners, rivet protected recessed flip handles and **MOL™** type butterfly latches.



penn-ELCOM®

► Technical Drawing



► Specifications

PROPERTY	VALUE
Unit height	6 HE
Width	529 mm
Height	299 mm (excl rubber feet)
Depth	687 mm (incl covers)
Tunnel depth	507 mm (excl covers)
Max usable depth	482 mm
Weight	17.2 Kg
Construction	9 mm high-quality plywood
Finishing	ProShield™ top layer
Handles	2 x Medium heavy-duty (H7154Z)
Butterfly latches	2 x Medium MOL™ (L907/928/10)

► Optional Accessories

ARTICLE	DESCRIPTION
KM500	M5 Cage nut
KS600	M5 x 16 mm bolt DIN7985 Black
KM600	M6 Cage nut
KS600	M6 x 16 mm bolt DIN7985 Black
SPR60LR	L-rail (horizontal support)
FCB104	Caster board (530 x 560 mm)
BSFxxx	19" blind panels (1 to 6U)
BSVxxx	19" ventilated blind panels (1 to 6U)

Wide range of 19" accessories on www.caymon.eu