

The trim kit for electric screen **COMPACT** is a particular accessory that enables to hide the cabinet inside a false ceiling.

This kit is made of aluminium entirely powder coated in white colour (RAL 9010).



The basic point that makes this accessory absolutely innovative and essential in the range of products for video-projection is the distinctiveness of being accessible also when it is installed inside the false ceiling.

Therefore, **if you need to make ordinary or special maintenance to the screen, it can be easily pulled-out** whenever it is necessary.

Another interesting aspect is that this trim kit can be fixed both in panel false ceilings and in fixed false ceilings, with maximum height of **110 cm**.

The trim kit is available for COMPACT screens from 160 cm. to 300 cm. of width and also for customized sizes.



# TECHNICAL SPECIFICATIONS

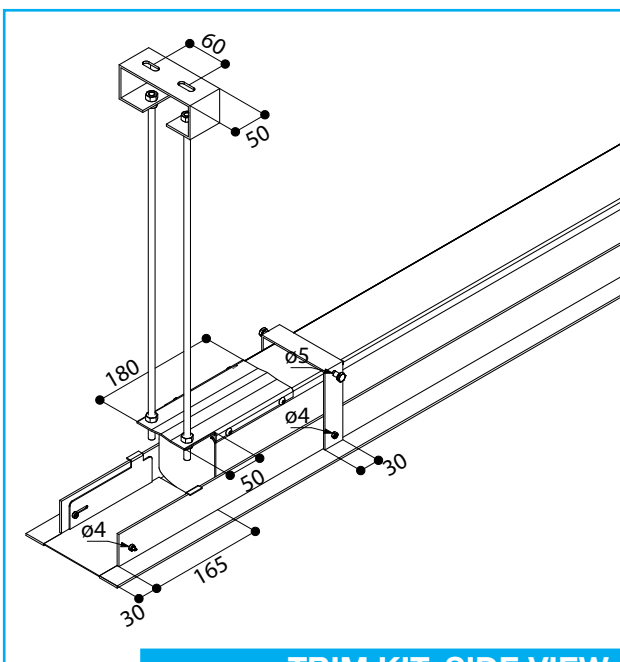
Every trim kit is provided with two long L-form profiles, U-form supports, four threaded rods 1 mt. long each with two ceiling brackets for fixing it to the concrete ceiling, two **small doors** to be mounted at the two ends of the L-form

profiles that enable the installer to mount or dismount the screen from the four threaded rods. In order to prepare the hole in the false ceiling in advance, the following measures can be used:

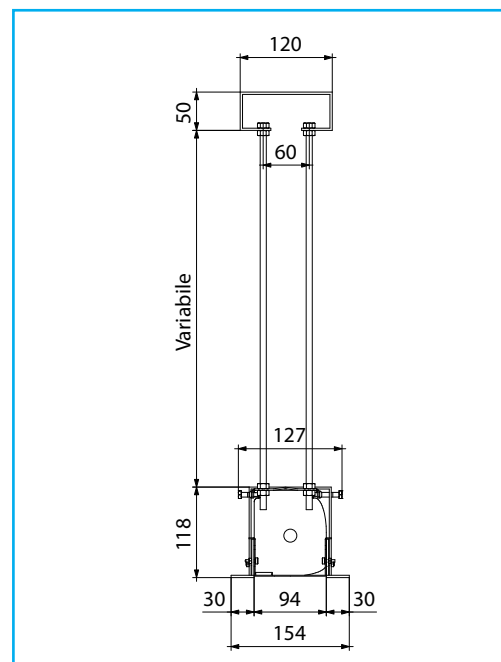
## LENGTH OF THE HOLE:

SCREEN MODEL	LENGTH
COMPACT without borders	Width of viewing area + 41 cm.
COMPACT H.C. or with borders	Width of viewing area + 51 cm.
COMPACT TENSIONED	Width of viewing area + 70 cm.

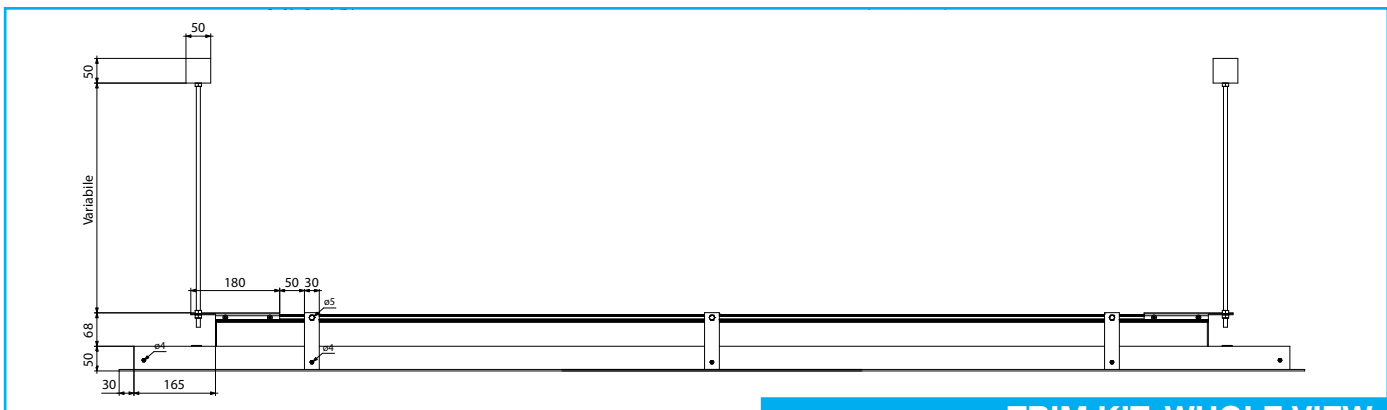
**WIDTH OF THE HOLE: 13 CM.**



**TRIM KIT: SIDE VIEW**



**TRIM KIT: SIDE VIEW**



**TRIM KIT: WHOLE VIEW**

\*All the measures in the drawings are expressed in millimetres.

Euroscreen S.r.l.  
Via Stiria, 45/16 - 33100 Udine - Italy  
Tel. +39 0432 522755  
Fax +39 0432 524000  
www.screenint.com  
info@screenint.com

