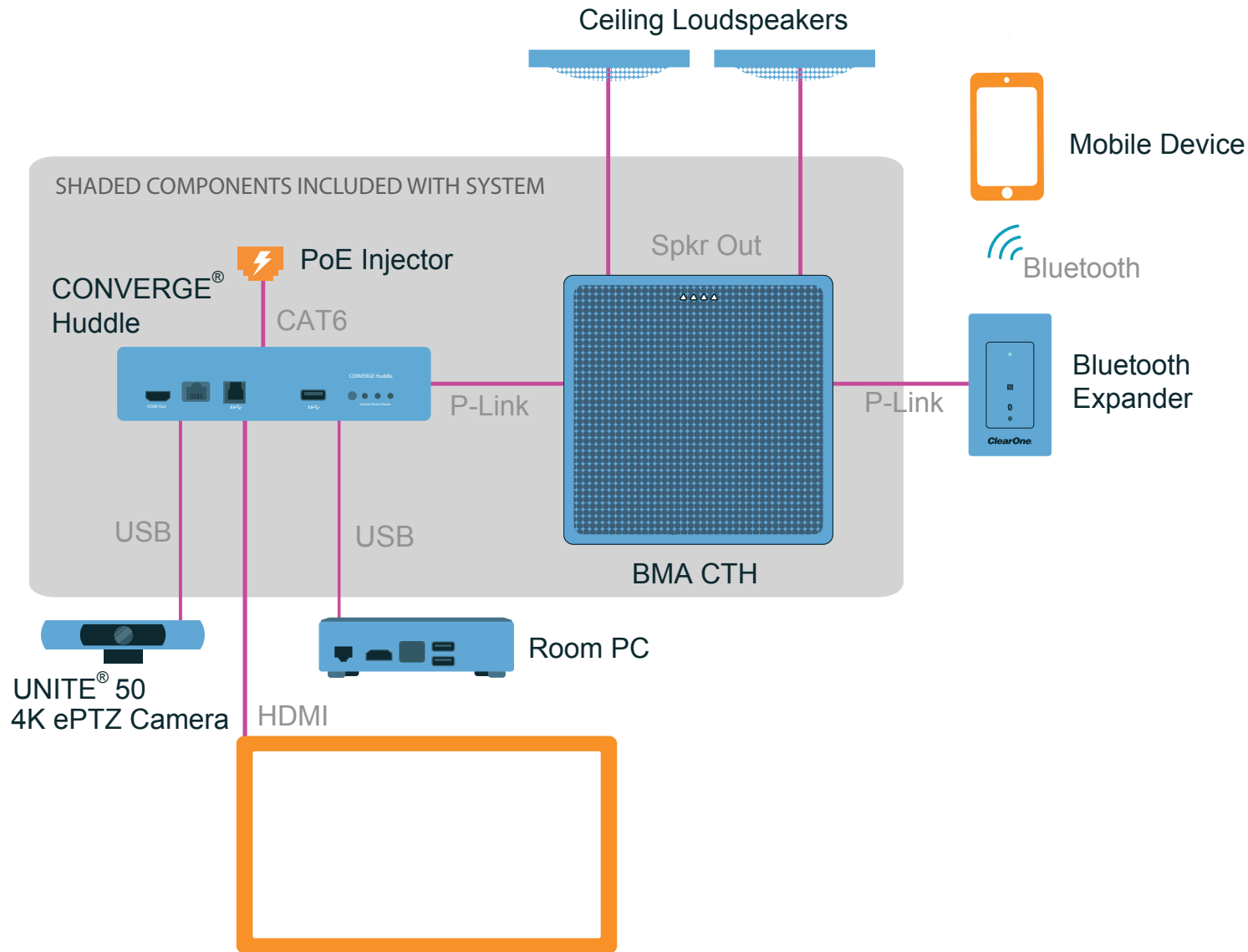


COLLABORATE® Versa Solutions

COLLABORATE Versa Solution		COLLABORATE® Versa Pro CT	COLLABORATE® Versa Room CT	COLLABORATE® Versa Lite CT	COLLABORATE® Versa Pro 150	COLLABORATE® Versa Pro 50	COLLABORATE® Versa 150	COLLABORATE® Versa 50
SKUs		930-3200-206 930-3200-206-I	930-3200-020 930-3200-020-I	930-3200-010 930-3200-010-I	930-3200-150	930-3200-050	930-3001-150	930-3001-050
Included Components								
DSP	CONVERGE® Huddle DSP	✓			✓	✓		
	COLLABORATE® Versa USB		✓	✓				
Mics/Spkrs	BMA CTH	✓	✓	✓				
	CHAT® 150 Speakerphone						✓	✓
	Ceiling Microphone Array				✓	✓		
	Ceiling Speakers		✓					
Cameras	UNITE® 50 4K ePTZ Camera		✓			✓		✓
	UNITE® 150 PTZ Camera				✓		✓	
Hub	Versa Hub		✓				✓	✓
Features								
CONVERGENCE™ AV Network Management support		✓			✓	✓		
Analog Mic/Line Inputs and Outputs		✓			✓	✓		
CONVERGE® Bluetooth Expander Support		✓	✓	✓	✓	✓		
CONSOLE® AI Configuration		✓			✓	✓		
CONSOLE® AI Lite Configuration			✓	✓				
Built-in Acoustic Echo Cancellation (AEC) and Noise Cancellation (NC)		✓	✓	✓	✓	✓	✓	✓
Beamforming with Adaptive Steering (think of it as smart switching)		✓	✓	✓				
Built-in Power Amplifiers		✓	✓	✓	✓	✓		
Can add external power amplifiers		✓			✓	✓		
USB Audio		✓	✓	✓	✓	✓	✓	✓
HDMI Output		✓	✓		✓	✓	✓	✓
USB Type-A port for connecting camera		✓	✓		✓	✓	✓	✓
PoE Powered with one PoE Injector Included		✓	✓	✓	✓	✓		
BYOD Conferencing		✓	✓	✓	✓	✓	✓	✓

COLLABORATE® Versa Pro CT



SKUs

930-3200-206
930-3200-206-I

[PRODUCT PAGE](#)

[DATASHEET](#)

SALES AND INQUIRIES

Headquarters

5225 Wiley Post Way
Suite 500
Salt Lake City, UT 84116

US & Canada

Tel: +1.801.975.7200
Fax: +1.801.303.5711

international

Tel: +1.801.975.7200
global@clearone.com

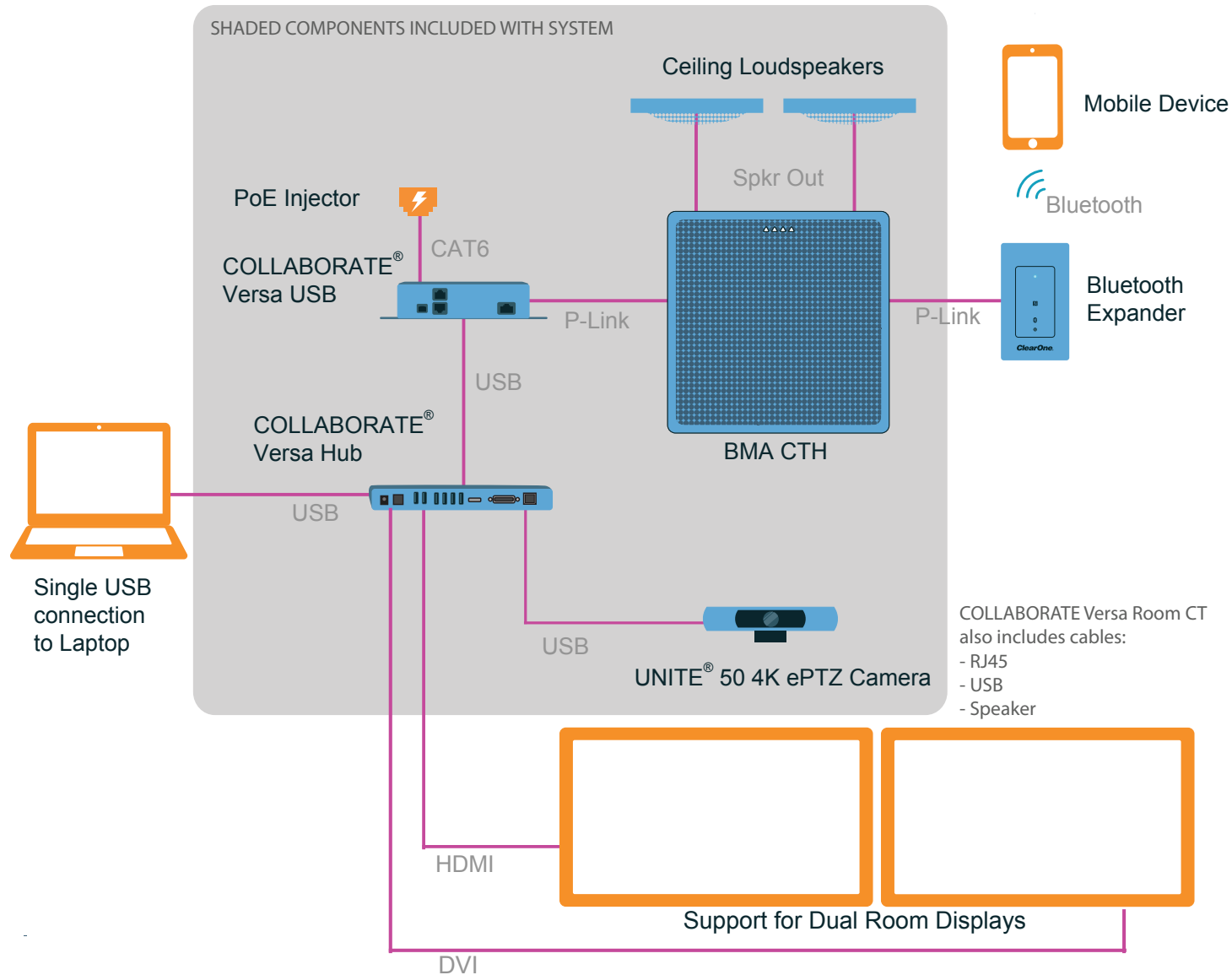
Sales

Tel: +1.801.975.7200
sales@clearone.com

TechSupport

Tel: +1.801.974.3760
tech.support@clearone.com

COLLABORATE® Versa Room CT



SKUs

930-3200-020
930-3200-020-I

[PRODUCT PAGE](#)

[DATASHEET](#)

SALES AND INQUIRIES

Headquarters

5225 Wiley Post Way
Suite 500
Salt Lake City, UT 84116

US & Canada

Tel: +1.801.975.7200
Fax: +1.801.303.5711

International

Tel: +1.801.975.7200
global@clearone.com

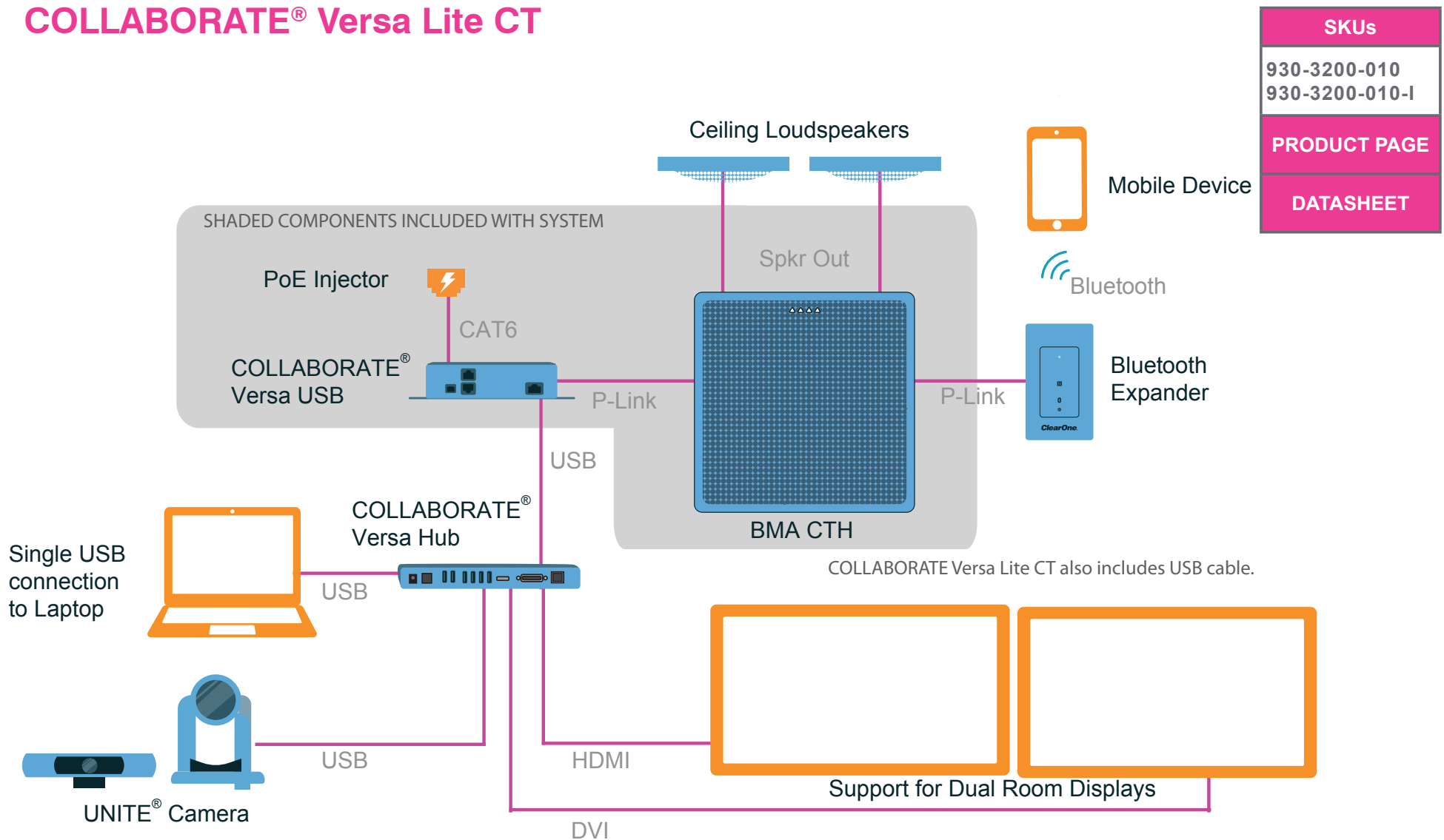
Sales

Tel: +1.801.975.7200
sales@clearone.com

TechSupport

Tel: +1.801.974.3760
tech.support@clearone.com

COLLABORATE® Versa Lite CT



SALES AND INQUIRIES

Headquarters

5225 Wiley Post Way
Suite 500
Salt Lake City, UT 84116

US & Canada

Tel: +1.801.975.7200
Fax: +1.801.303.5711

International

Tel: +1.801.975.7200
global@clearone.com

Sales

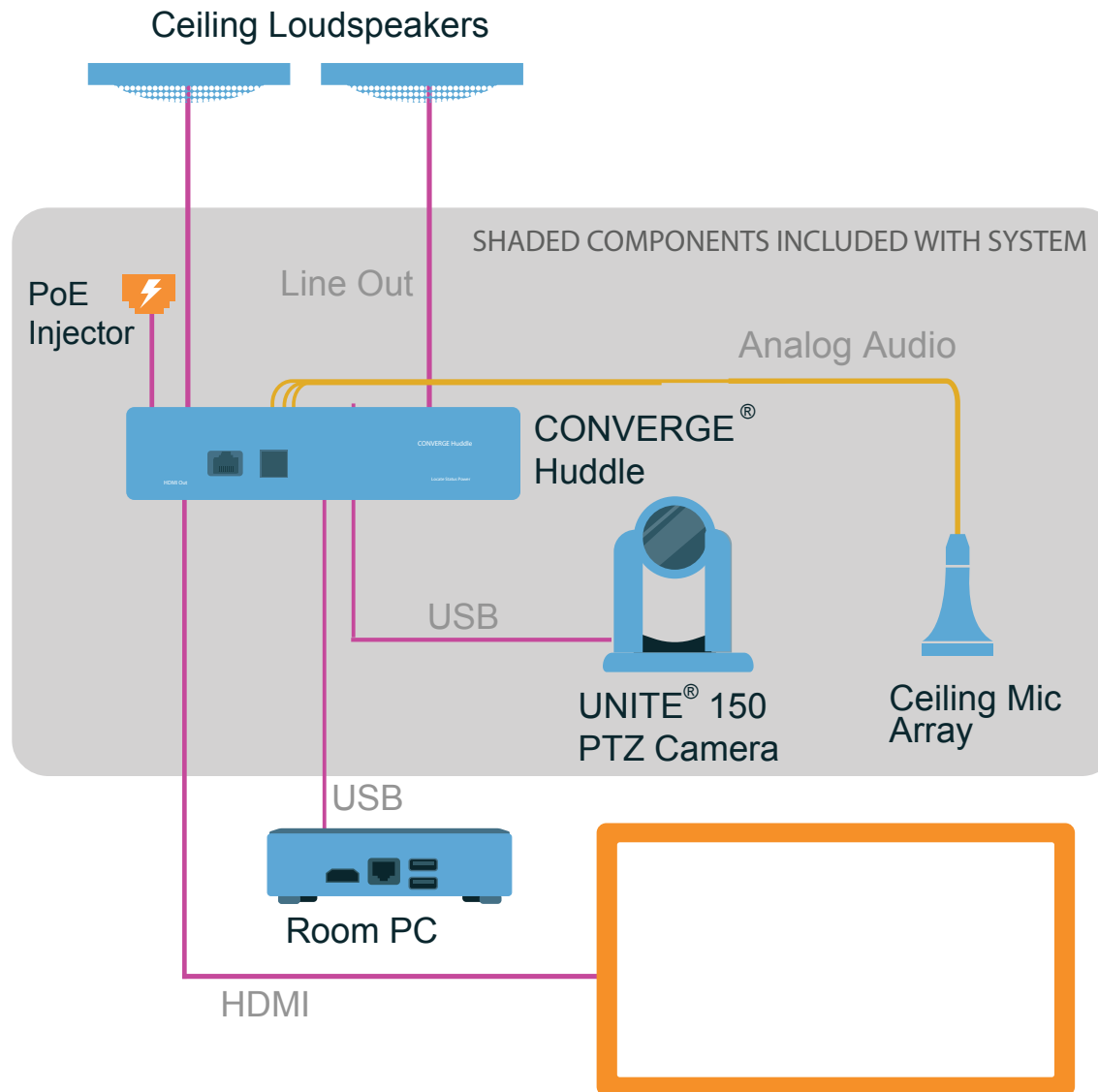
Tel: +1.801.975.7200
sales@clearone.com

TechSupport

Tel: +1.801.974.3760
tech.support@clearone.com

Other product names and logos may be registered trademarks of their respective owners who do not necessarily endorse ClearOne or ClearOne's products. All rights reserved. Information in this document subject to change without notice. DST-0160-001 Rev1.2 20200402 ©2020 ClearOne.

COLLABORATE® Versa Pro 150



SKUs
930-3200-150
PRODUCT PAGE
DATASHEET

SALES AND INQUIRIES

Headquarters

5225 Wiley Post Way
Suite 500
Salt Lake City, UT 84116

US & Canada

Tel: +1.801.975.7200
Fax: +1.801.303.5711

International

Tel: +1.801.975.7200
global@clearone.com

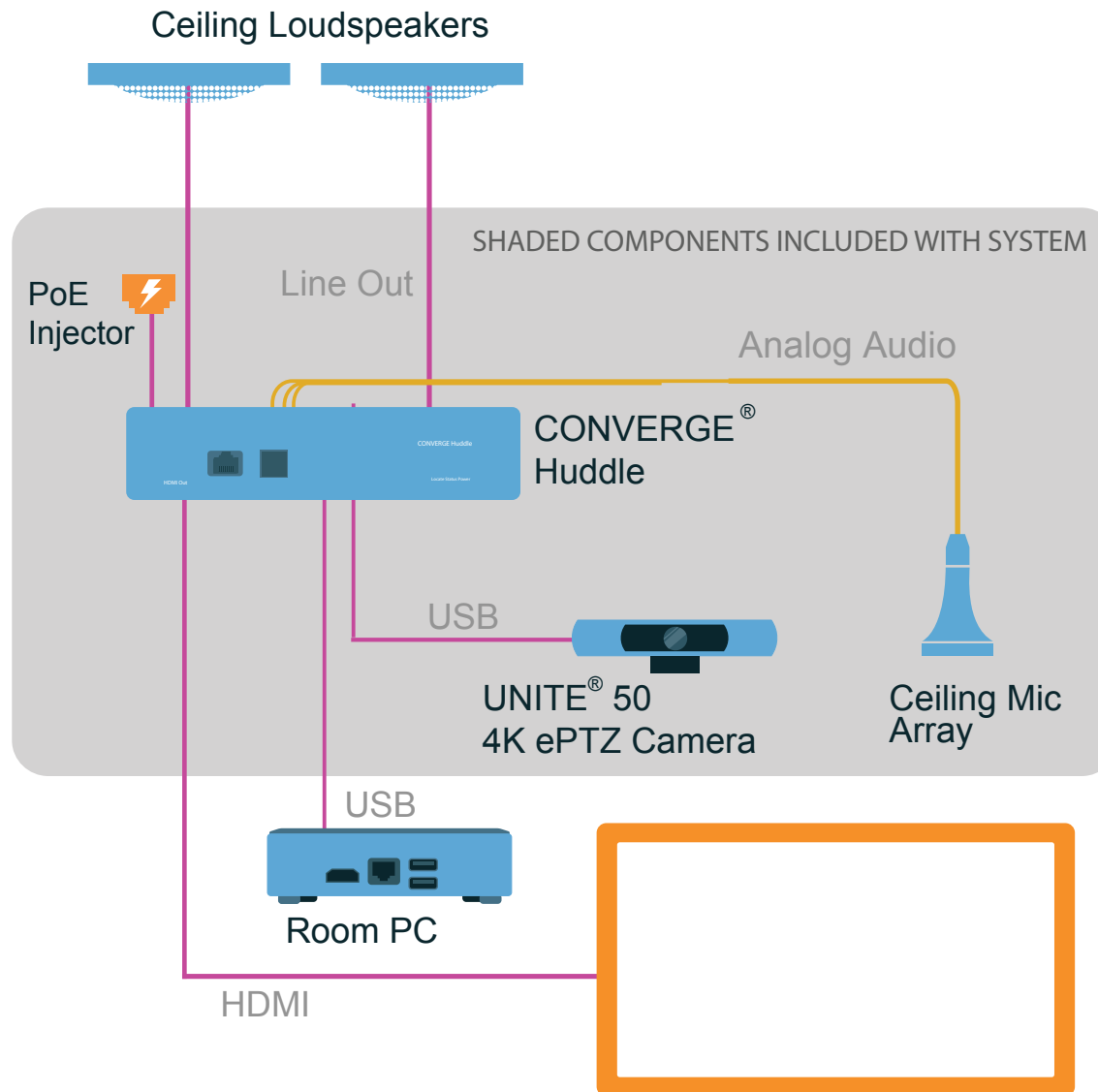
Sales

Tel: +1.801.975.7200
sales@clearone.com

TechSupport

Tel: +1.801.974.3760
tech.support@clearone.com

COLLABORATE® Versa Pro 50



SKUs
930-3200-050
PRODUCT PAGE
DATASHEET

SALES AND INQUIRIES

Headquarters

5225 Wiley Post Way
Suite 500
Salt Lake City, UT 84116

US & Canada

Tel: +1.801.975.7200
Fax: +1.801.303.5711

international

Tel: +1.801.975.7200
global@clearone.com

Sales

Tel: +1.801.975.7200
sales@clearone.com

TechSupport

Tel: +1.801.974.3760
tech.support@clearone.com

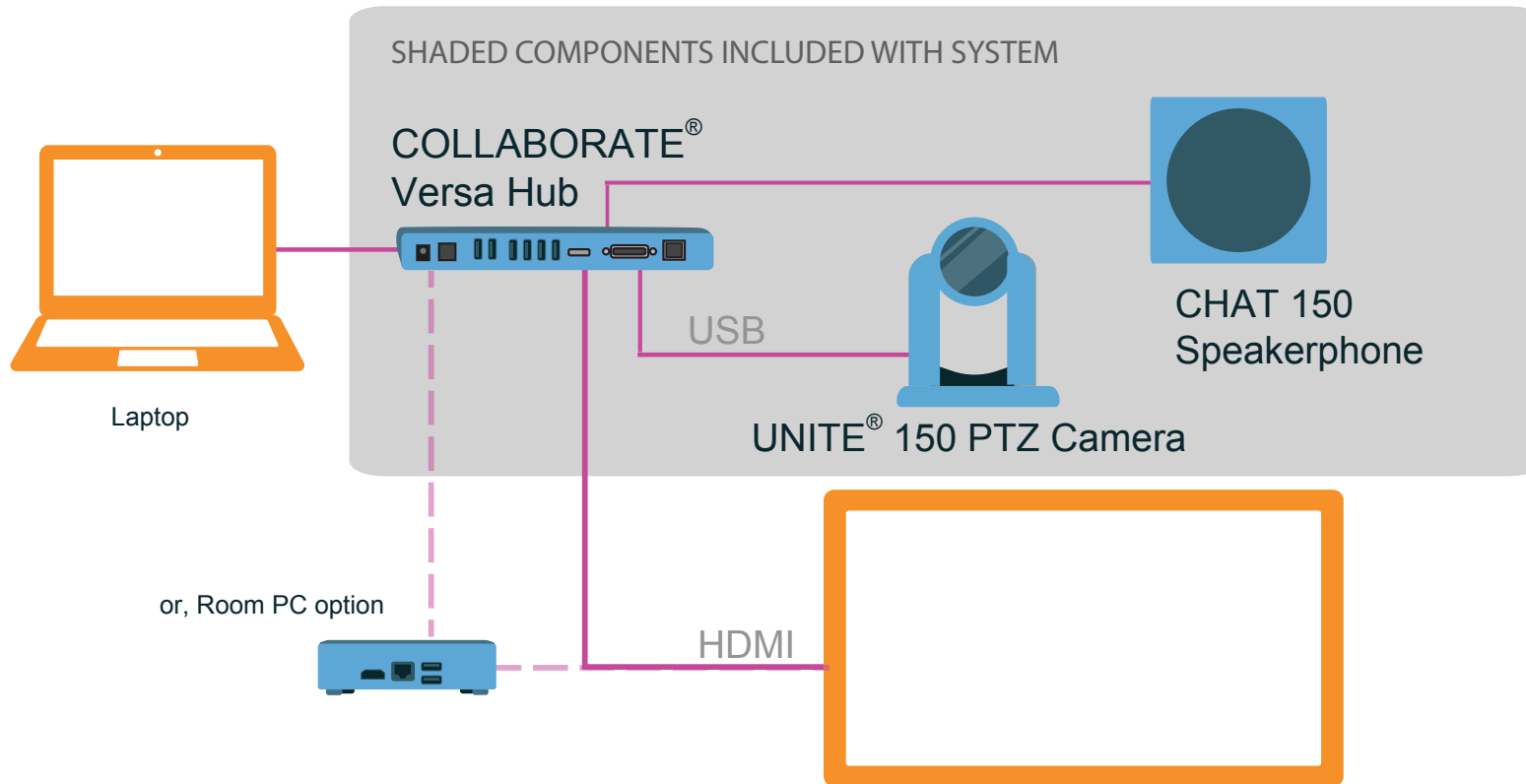
COLLABORATE® Versa 150

SKUs

930-3001-150

PRODUCT PAGE

DATASHEET



SALES AND INQUIRIES

Headquarters

5225 Wiley Post Way
Suite 500
Salt Lake City, UT 84116

US & Canada

Tel: +1.801.975.7200
Fax: +1.801.303.5711

International

Tel: +1.801.975.7200
global@clearone.com

Sales

Tel: +1.801.975.7200
sales@clearone.com

TechSupport

Tel: +1.801.974.3760
tech.support@clearone.com

Other product names and logos may be registered trademarks of their respective owners who do not necessarily endorse ClearOne or ClearOne's products. All rights reserved. Information in this document subject to change without notice. DST-0160-001 Rev1.2 20200402 ©2020 ClearOne.

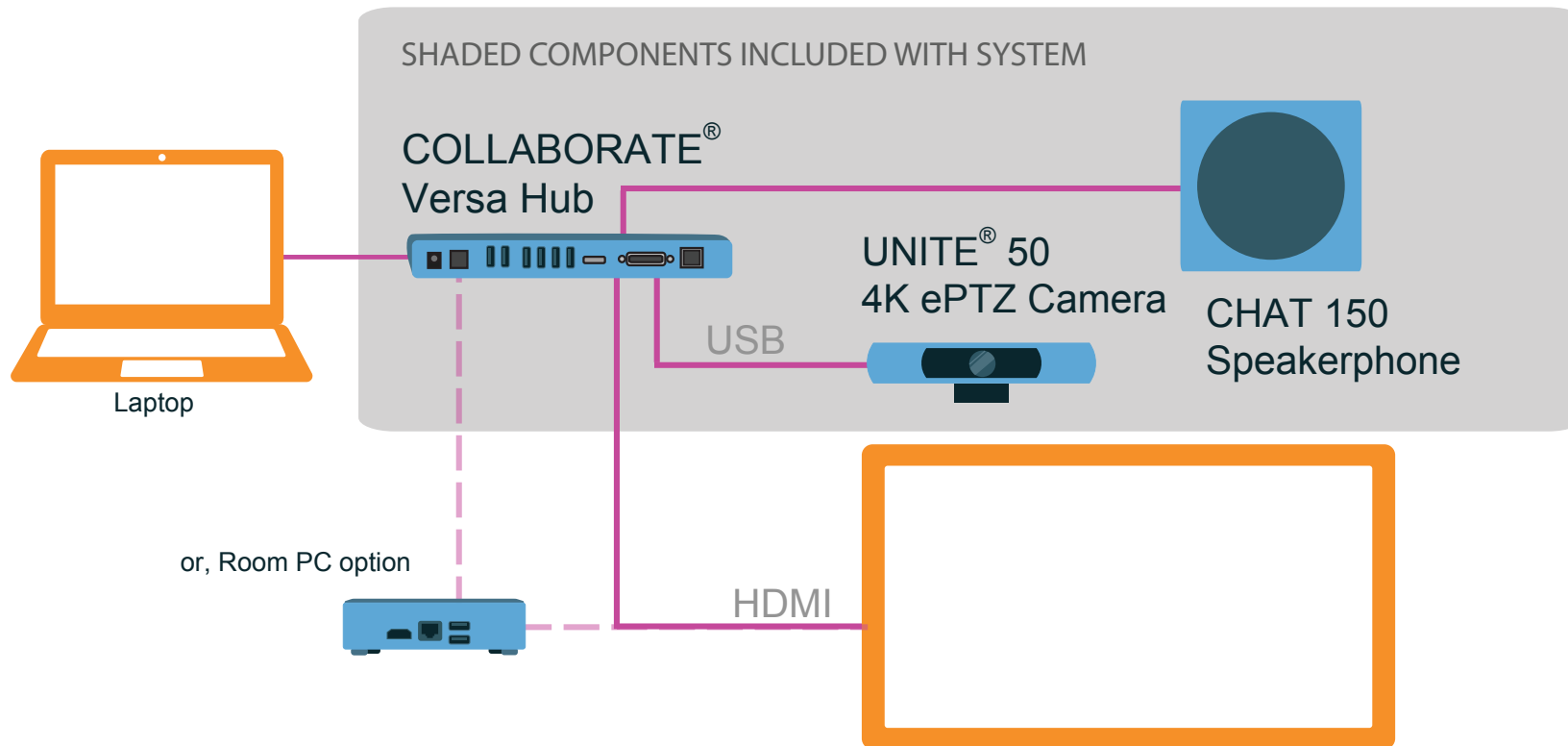
COLLABORATE® Versa 50

SKUs

930-3001-050

PRODUCT PAGE

DATASHEET



SALES AND INQUIRIES

Headquarters

5225 Wiley Post Way
Suite 500
Salt Lake City, UT 84116

US & Canada

Tel: +1.801.975.7200
Fax: +1.801.303.5711

International

Tel: +1.801.975.7200
global@clearone.com

Sales

Tel: +1.801.975.7200
sales@clearone.com

TechSupport

Tel: +1.801.974.3760
tech.support@clearone.com

Other product names and logos may be registered trademarks of their respective owners who do not necessarily endorse ClearOne or ClearOne's products. All rights reserved. Information in this document subject to change without notice. DST-0160-001 Rev1.2 20200402 ©2020 ClearOne.