



COMPACT HOME CINEMA

The **COMPACT HOME CINEMA** is an electric screen dedicated to the Home Theatre market and it is the right alternative to the Double Format or to the Compact Tensioned screens because high quality features mark it out like the other Home Theatre models.

A black drop on the top of the projection surface allows to install this screen inside false ceilings and inside rooms with high ceilings because, in this way, the projection viewing area will be positioned at the right height.

Black side borders let perceive a brighter and sharper image.



- Silent motor system provides a smooth and quiet operation
- Totally manufactured in aluminium
- Smart design and easy to install
- Housing dimensions: 94x112 mm.
- Housing painted with white epoxy powders (RAL 9010)
- Two universal mounting brackets either for ceiling or for wall
- On/off switcher included
- Projection fabrics are flame-retardant
- Black side borders of 5 cm., black top drop of 30 cm., a black bottom border of 5 cm. and black dowel bar: height 35 mm. - depth 20 mm.
- **AVAILABLE ACCESSORIES:** RF remote control with integrated or external receiver, False ceiling Trim Kit, Interface switch 12 Volt, Low voltage contact interface, Wall extension brackets, White side cover plates
- **OPTIONAL MOTOR:** faster and quiet motor - 9 Nm - 26 Rpm

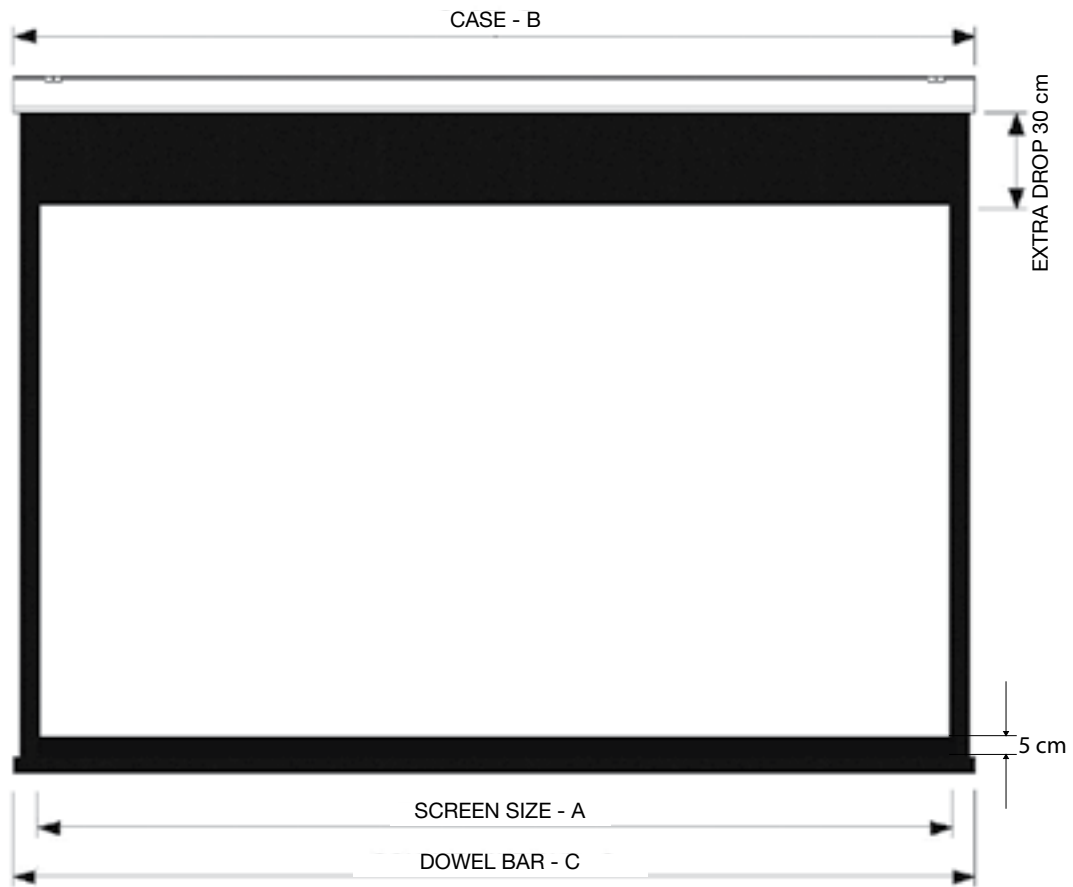
TECHNICAL SPECIFICATIONS

4:3 Ratio Viewing area (WxH)-(A)	16:9 Ratio Viewing area (WxH)-(A)	16:10 Ratio Viewing area (WxH)-(A)	Overall dimensions		Front projection surfaces		Approx. net weight
cm. 160x120 cm. 180x135 cm. 200x150 cm. 220x165 cm. 250x190 cm. 300x225	cm. 160x90 cm. 180x101 cm. 200x112 cm. 220x124 cm. 250x140 cm. 300x169	cm. 160x100 cm. 180x112 cm. 200x125 cm. 220x137 cm. 250x156 cm. 300x187	B cm. 179 B cm. 199 B cm. 219 B cm. 239 B cm. 269 B cm. 319	C cm. 173 C cm. 193 C cm. 213 C cm. 233 C cm. 263 C cm. 313	White Matte White Microperforated Lumi-Grey Lumi Grey Microperforated Cinesound High Matte Hi-Light	gain 1.2 gain 1.2 gain 1.1 gain 0.8 gain 0.8 gain 0.7 gain 1.25* gain 2.3*	Kg. 15 Kg. 16 Kg. 18 Kg. 20 Kg. 23 Kg. 23 Kg. 26

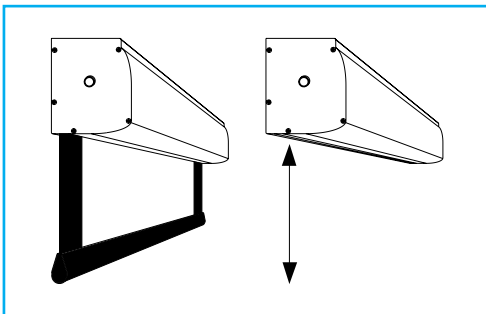
* Compact Home Cinema with High Matte and Hi-Light cloths are available up to max. height of 210 cm.

Warranty: 5 years on the motor - 24 months on the other components

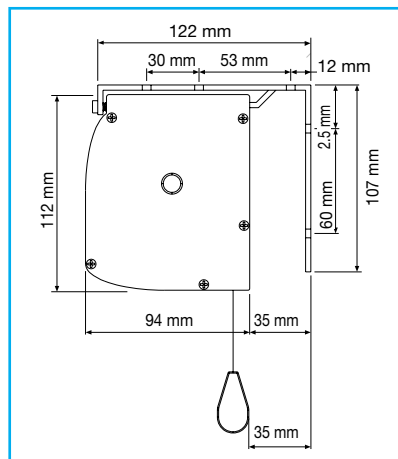
TECHNICAL SPECIFICATIONS



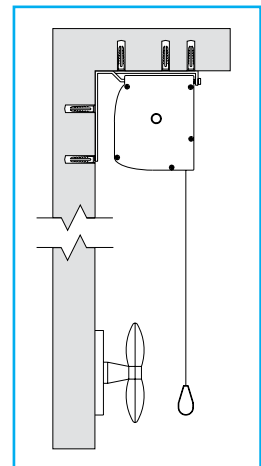
Concealing dowel bar



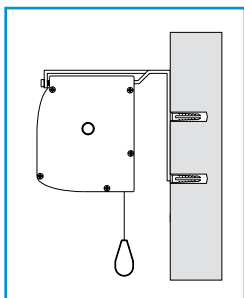
Cabinet dimensions



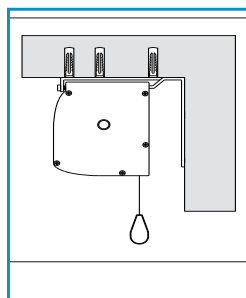
Cloth drops on the front side of the housing (optional)



Wall Mounting



Ceiling Mounting



Motor Characteristics

- Power: 6 Nm
- Speed: 17 rpm
- Power supply: 230V / 50 Hz
- Consumption: 137 W
- Certification: IMQ

Euroscreen S.r.l.
Via Stiria, 45/16 - 33100 Udine - Italy
Tel. +39 0432 522755
Fax +39 0432 524000
www.screenint.com
info@screenint.com

