



The **COMPACT** model is an electric screen whose features, the high quality standard, the silent system of fabric dragging and its versatility in different projection conditions, make it the right solution for small and medium rooms.

The wide range of fabrics available satisfy almost all the various projection needs.

Available in 4:3 and 1:1 formats or customized sizes.

- Silent motor system provides a smooth and quiet operation
- Totally manufactured in aluminium
- Smart design and easy to install
- Housing dimensions: 94x112 mm.
- Housing painted with white epoxy powders (RAL 9010)
- Two universal mounting brackets either for ceiling or for wall
- On/off switcher included
- Projection fabrics are flame-retardant - classification M1 and B1
- White dowel bar: 38 mm. height - depth 20 mm\*
- Black borders of 5 cm. on request
- **AVAILABLE ACCESSORIES:** RF remote control with integrated or external receiver, False Ceiling Trim Kit, Interface switch 12 Volt, Low voltage contact interface switch, Wall extension brackets
- **OPTIONAL MOTOR:** faster and quiet motor - Nm 9 - Rpm 26

\*On screens with **three** black borders, the screen will have side black borders of 5 cm. and at the bottom side only a black dowel bar 35 mm. high.  
On screens with **four** black borders, the screen will have **all around** black borders of 5 cm. and a black dowel bar 35 mm. high.

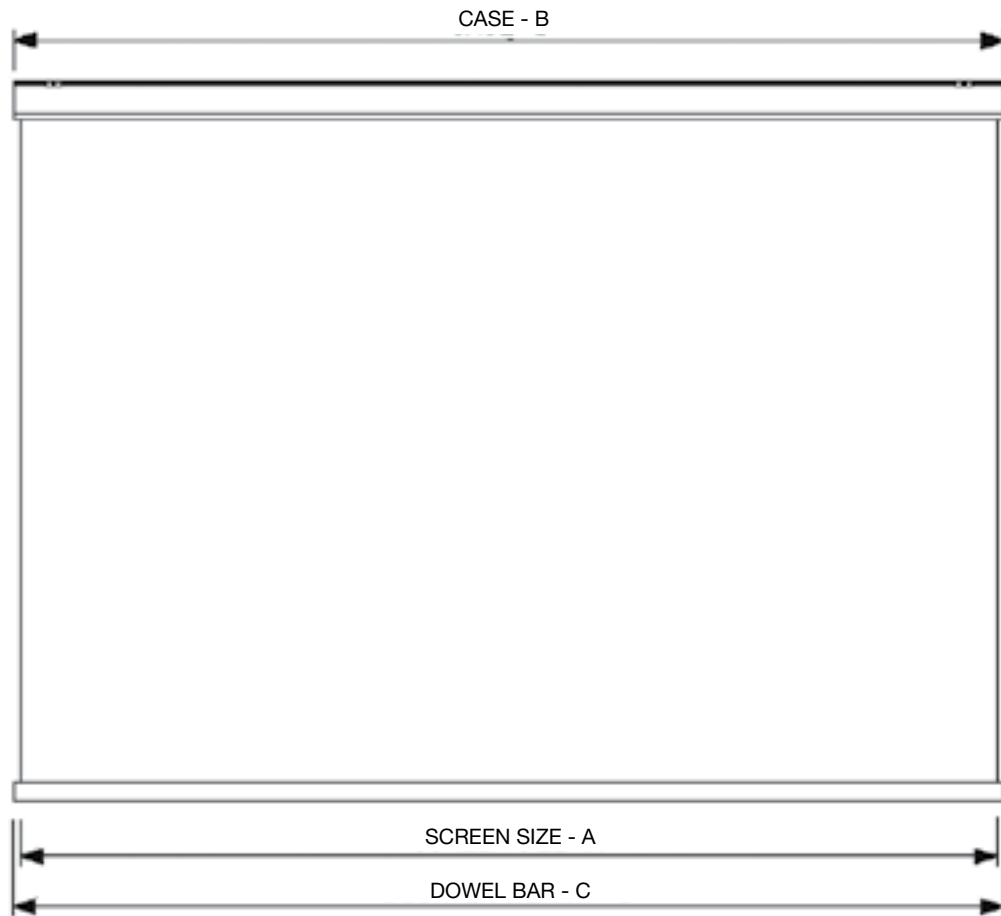
### TECHNICAL DETAILS

1:1 Ratio Viewing area (WxH)-(A)	4:3 Ratio Viewing area (WxH)-(A)	Overall dimensions	Front projection surfaces	Rear projection surfaces	Approx. net weight
cm. 160x160	cm. 160x120	B cm. 169 C cm. 164	White	Rear Plus	Kg. 14
cm. 180x180	cm. 180x135	B cm. 189 C cm. 184	Matte White	FrontRear	Kg. 15
cm. 200x200	cm. 200x150	B cm. 209 C cm. 204	Microperforated		Kg. 17
cm. 220x220	cm. 220x165	B cm. 229 C cm. 224	FrontRear		Kg. 19
cm. 250x250	cm. 250x190	B cm. 259 C cm. 254	High Matte		Kg. 22
	cm. 300x225	B cm. 309 C cm. 304	Hi-Light		Kg. 25
			gain 1.2	gain 1.1	
			gain 1.2	gain 0.9	
			gain 1.1		
			gain 0.9		
			gain 1.25*		
			gain 2.3*		

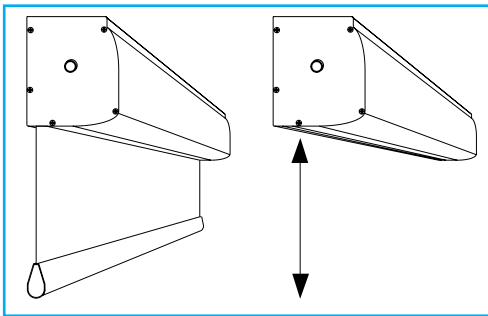
\* Compact with High Matte and Hi-Light cloths are available up to max. height of 210 cm.

Warranty: 5 years on the motor - 24 months on the other components

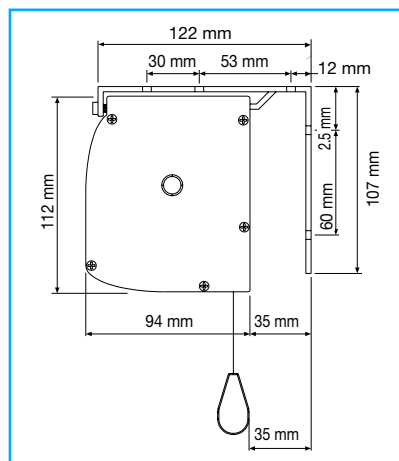
# TECHNICAL SPECIFICATIONS



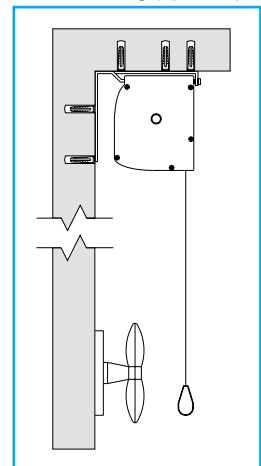
Concealing dowel bar



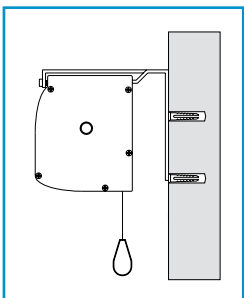
Cabinet dimensions



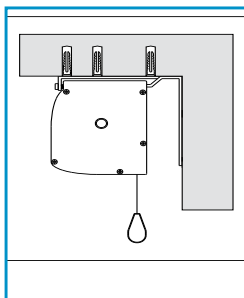
Cloth drops on the front side of the housing (optional)



Wall Mounting



Ceiling Mounting



## Motor Characteristics

- Power: 6 Nm
- Speed: 17 rpm
- Power supply: 230V / 50 Hz
- Consumption: 137 W
- Certification: IMQ

Euroscreen S.r.l.  
 Via Stiria, 45/16 - 33100 Udine - Italy  
 Tel. +39 0432 522755  
 Fax +39 0432 524000  
 www.screenint.com  
 info@screenint.com

