

CDM235

Professional cable reel \varnothing 235 x 112 mm



The CDM235 is a cable reel designed for intensive and professional use constructed using lightweight, extremely strong and impact resistant materials. The frame construction is made of polycarbonate (PC) materials while the drum is made of impact resistant polyethylene (PE).

The lightweight construction in combination with the ergonomic grip allows easy carriage for mobile applications. The front side is fitted with an external cable winder allowing easy and clean winding of a patch tail. Holes for fixation of all international types of power plugs are available on the center plate.

The drum dimension of \varnothing 235 mm allows winding of a standard microphone cable (\varnothing 6.5mm) up to 75 meters.



RENTAL

MOBILE

STAGE

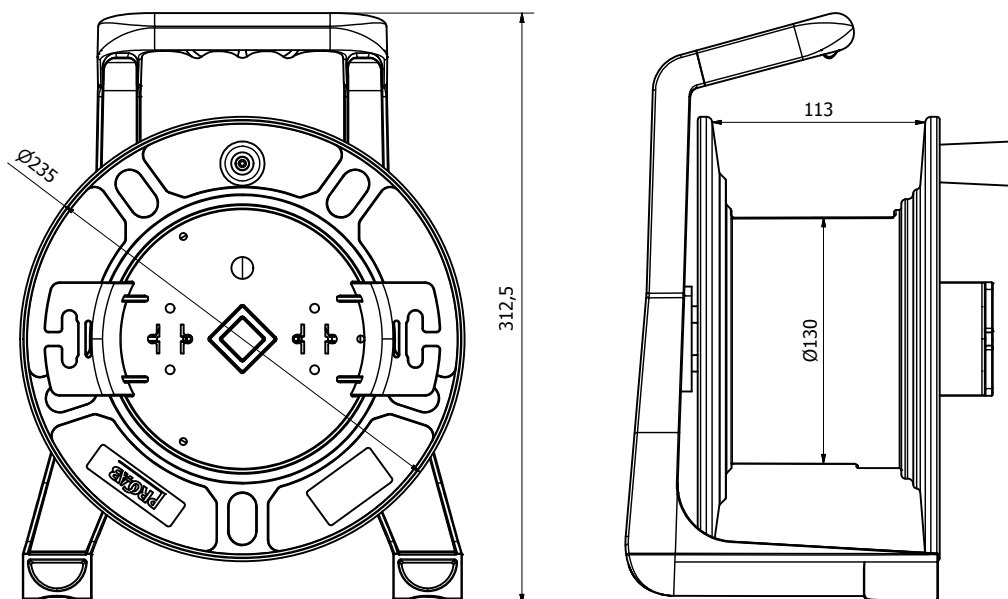
Physical Characteristics

Width	235 mm
Height	312,5 mm
Depth	206 mm
Drum inner diameter	\varnothing 130 mm
Drum outer diameter	\varnothing 235 mm
Drum depth	112 mm
Weight	1.0 Kg
Construction materials	Sturdy polycarbonate frame Impact resistant polyethylene drum
Features	Ergonomic grip Front flange with cable winder Locking brake

Ordering & packaging

CDM235	Cable reel w ext. cable winder	Carton box
--------	--------------------------------	------------

Technical drawing



Additional specifications



CDM235 Cable capacity	
3 mm Ø OD	340 meter
4 mm Ø OD	190 meter
5 mm Ø OD	125 meter
6 mm Ø OD	85 meter
7 mm Ø OD	62 meter
8 mm Ø OD	48 meter
9 mm Ø OD	38 meter
10 mm Ø OD	30 meter
11 mm Ø OD	25 meter
12 mm Ø OD	21 meter
13 mm Ø OD	18 meter
14 mm Ø OD	15 meter
15 mm Ø OD	13 meter