

CDM152

Cable reel Ø 285x140 mm

The CDM152 is a high-quality cable reel, featuring a steel tubular frame with a solid and strong drum constructed of high-quality and impact resistant materials. The drum dimensions of Ø 285 mm x 140 mm offers a capacity up to 130 meters of standard microphone (~ Ø 6.5 mm) and up to 65 meters of speaker cable (~ Ø 9.0 mm).

Other present features such as the ergonomic grip, front flange with practical cable holder and blocking brake, makes it a practical tool for carrying any cable to any event or production!



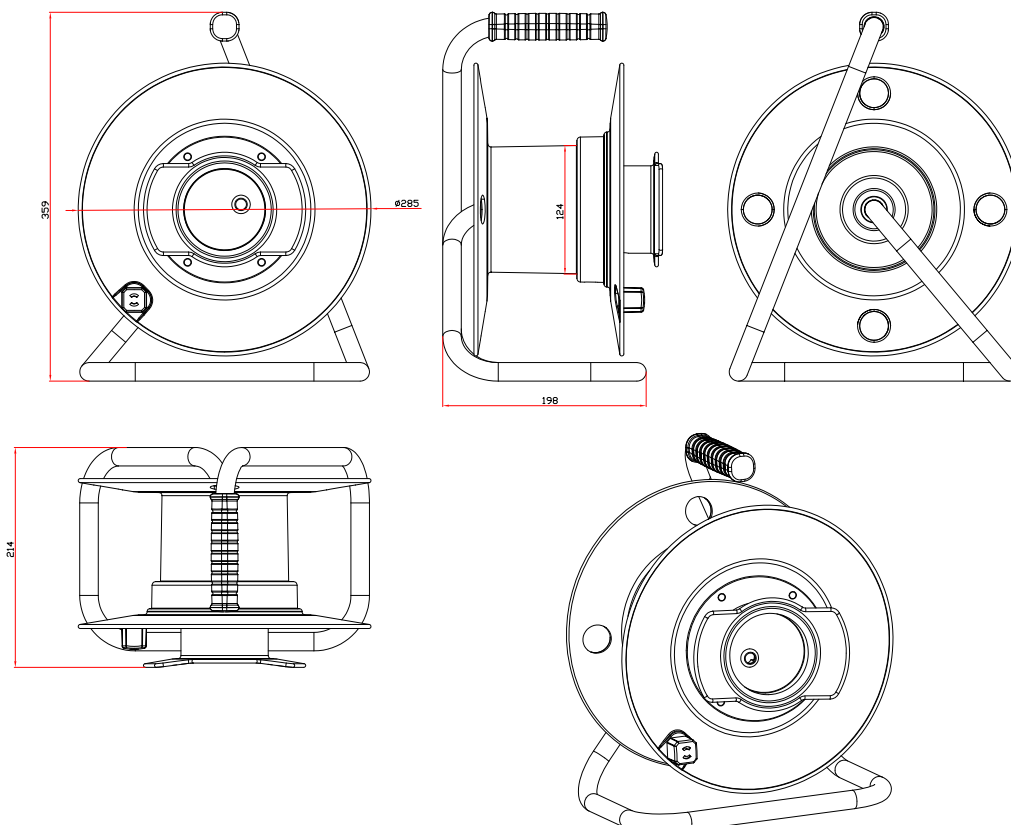
MOBILE

STAGE

Physical Characteristics	
Width	285 mm
Height	359 mm
Depth	214 mm
Drum inner diameter	Ø 124 mm
Drum outer diameter	Ø 285 mm
Drum depth	140 mm
Weight	1.287 Kg
Construction materials	Steel tubular frame Impact resistant plastic drum
Features	Ergonomic grip Front flange with cable winder Locking brake

Ordering & packaging		
CDM152	Cable reel	Carton box

Technical drawing



Additional specifications



CDM152 Cable capacity	
3 mm Ø OD	600 meter
4 mm Ø OD	340 meter
5 mm Ø OD	220 meter
6 mm Ø OD	150 meter
7 mm Ø OD	110 meter
8 mm Ø OD	85 meter
9 mm Ø OD	65 meter
10 mm Ø OD	55 meter
11 mm Ø OD	45 meter
12 mm Ø OD	38 meter
13 mm Ø OD	35 meter
14 mm Ø OD	27 meter
15 mm Ø OD	25 meter