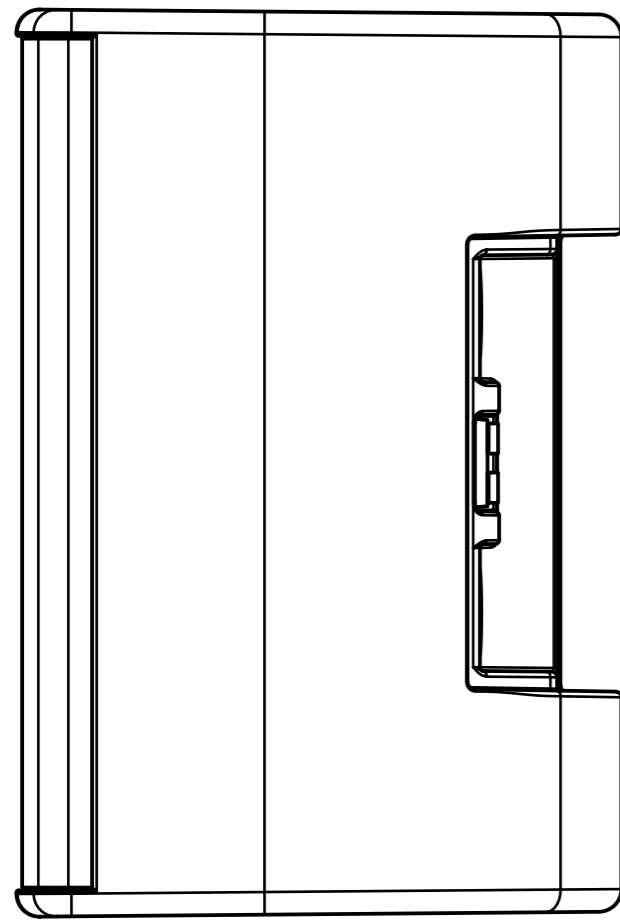
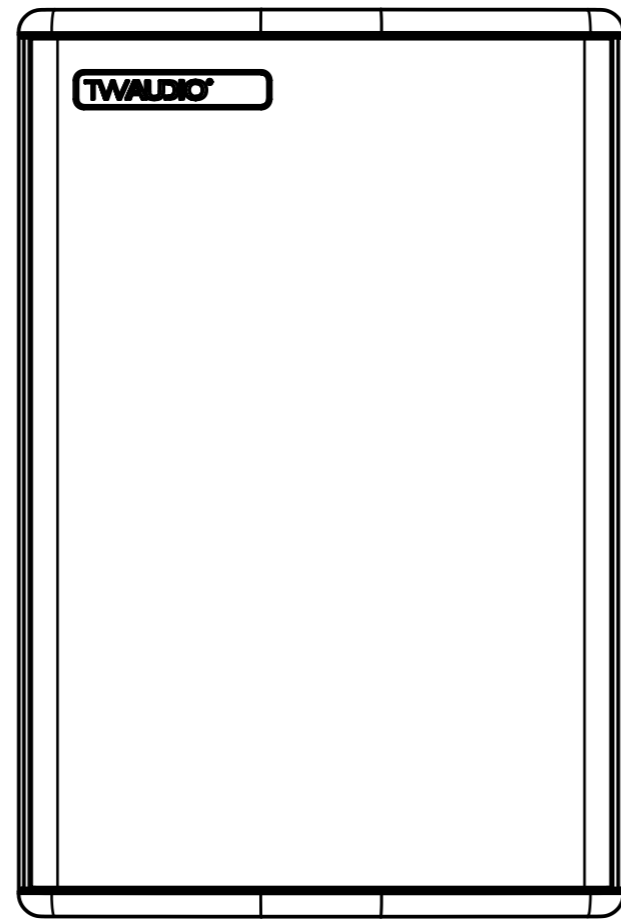


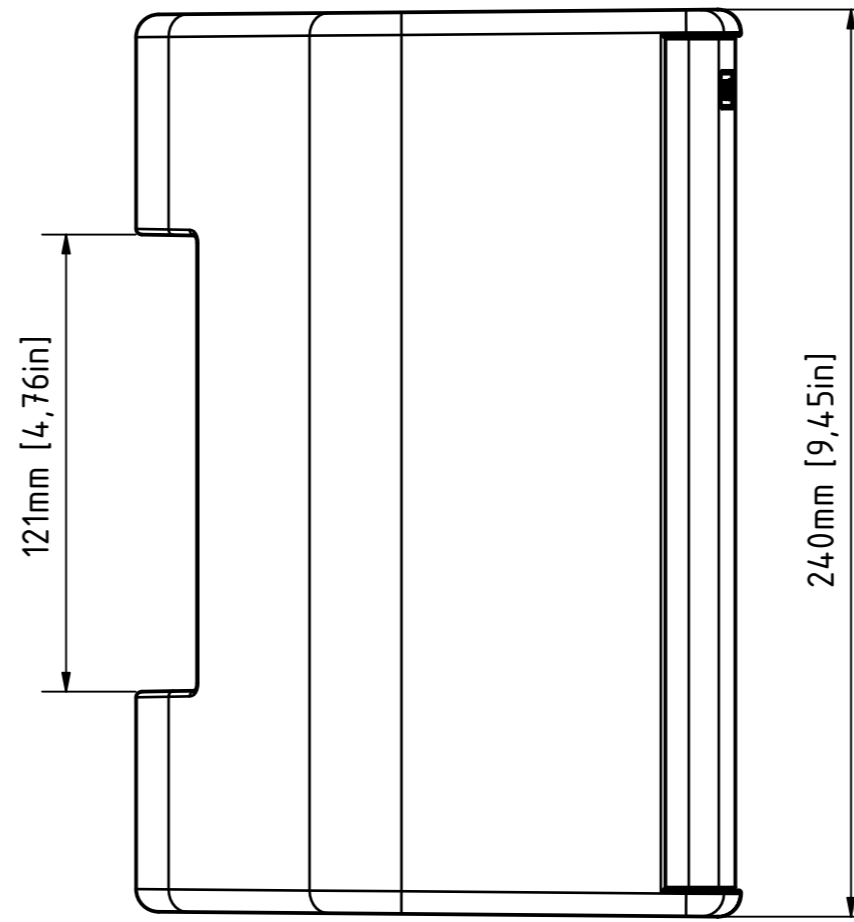
bottom view



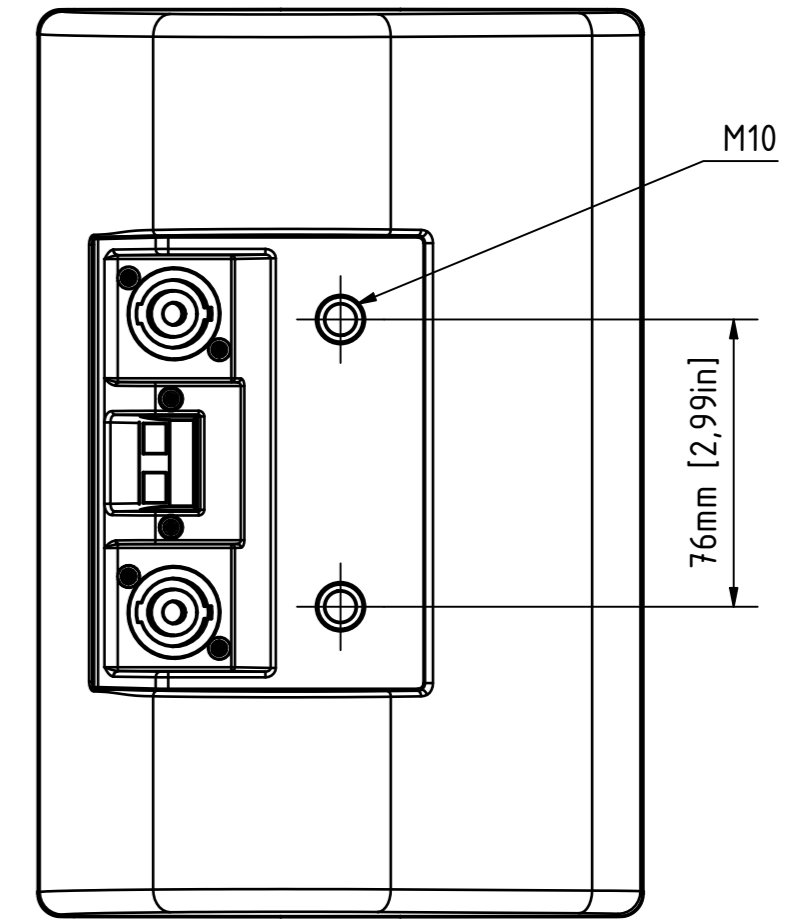
right view



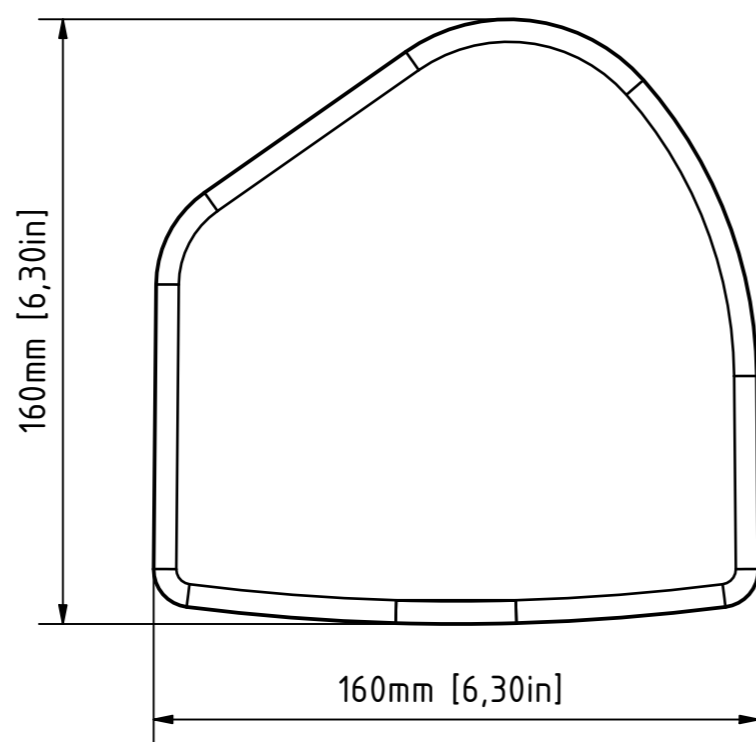
front view



left view



rear view

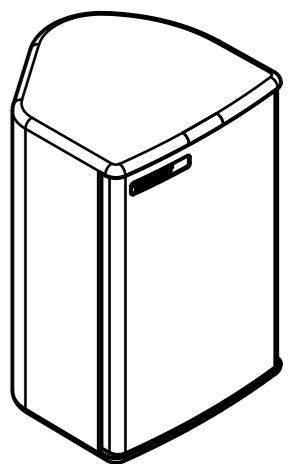


top view

Please note the differences between C5i and C5:

C5i:
white type label with black letters
Weight: 2,4 kg [5,3 lbs]

C5:
black type label with white letters
Weight: 3,9 kg [9 lbs]



Further differences can be found in the operation manuals or on the website.

0		13.05.2020	Heike Konrad
rev. no.	description	date	modified by
revision process			
TWAUDIO Osterholzallee 140-2 71636 Ludwigsburg www.twaudio.de All rights to this drawing reserved in accordance with ISO 16016. Copying and distribution by manufacturer's permission only.	scale:		
	weight:	see above	
	document type:	overview drawing	
	status type:	released	
	date	name	
constructed:	13.05.2020	Heike Konrad	
drawn:	13.05.2020	Heike Konrad	
checked:			
approved:	13.05.2020	Heike Konrad	
general tolerance ISO 2768-mK ISO 13920-BF ISO 9013-IIA/K according to ISO 8015	edges according to ISO 13715 surfaces (Ra) array 2 array 3 DIN ISO 1302	drawing number:	TWA-C5i-0001
		revision no.:	0
		sheet:	1 1 Az
C:\CAD-TW-AUDIO\CAD-Daten\Produkte\ES\ES.san			