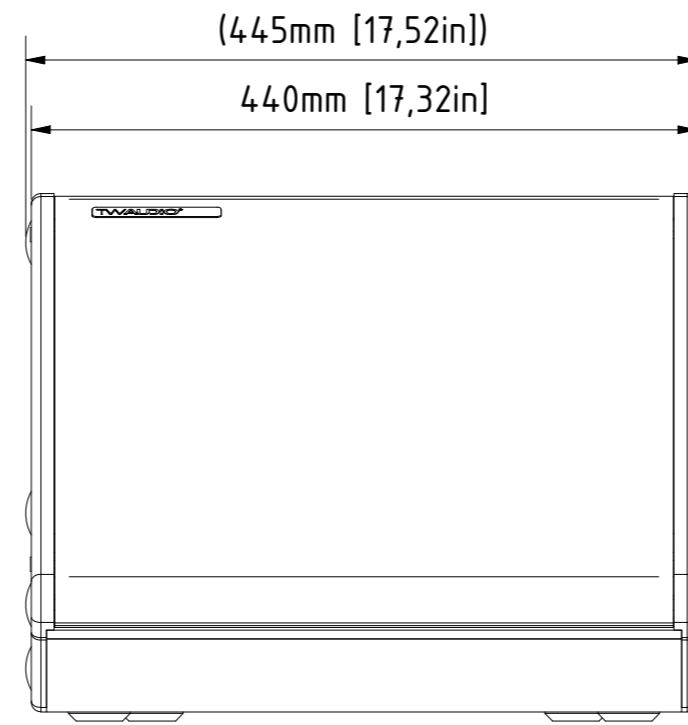
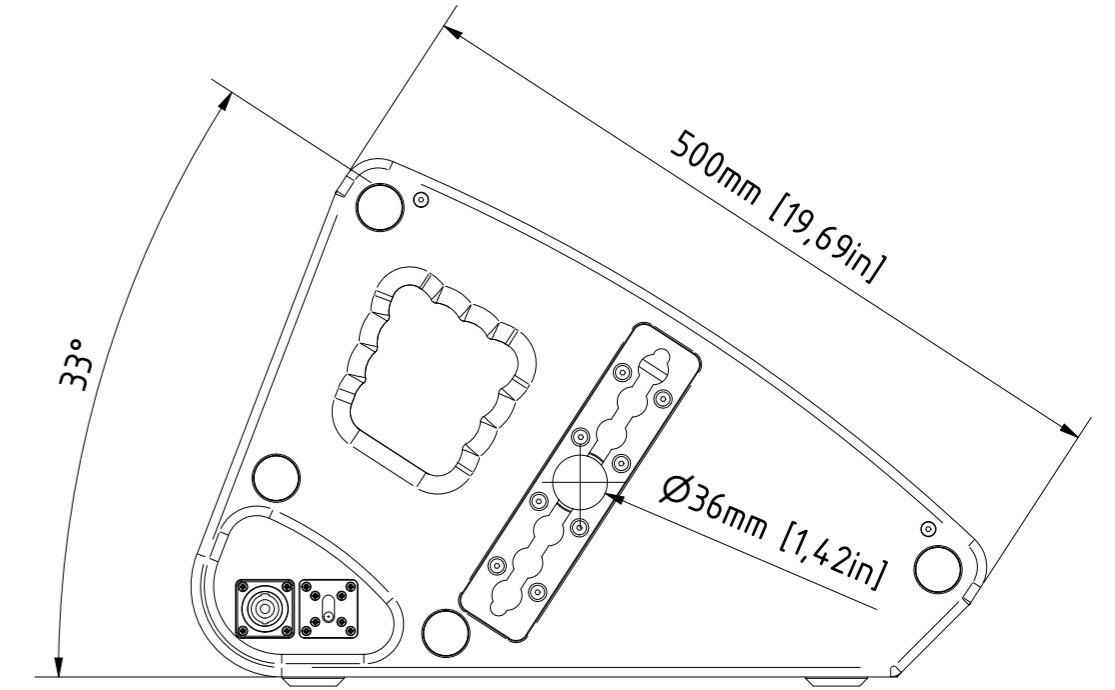


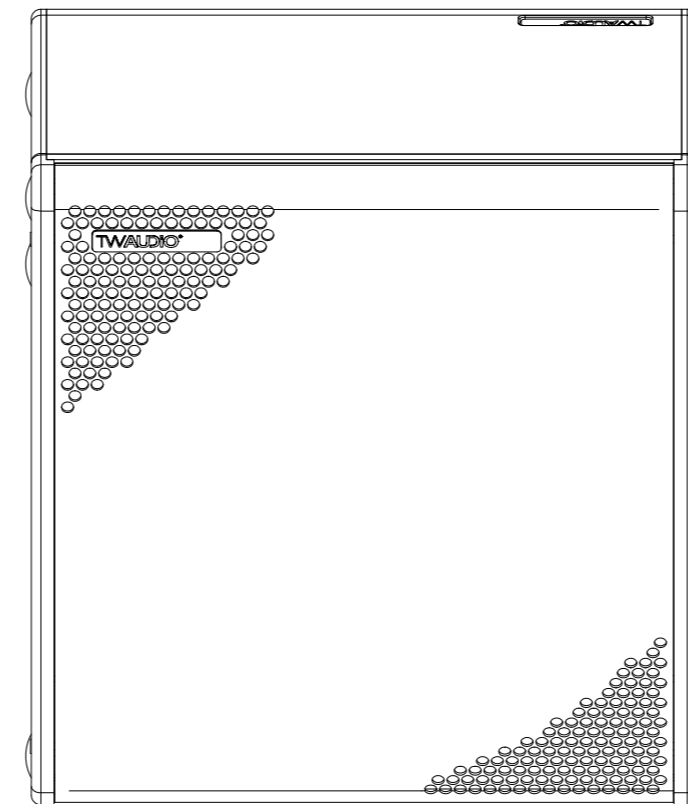
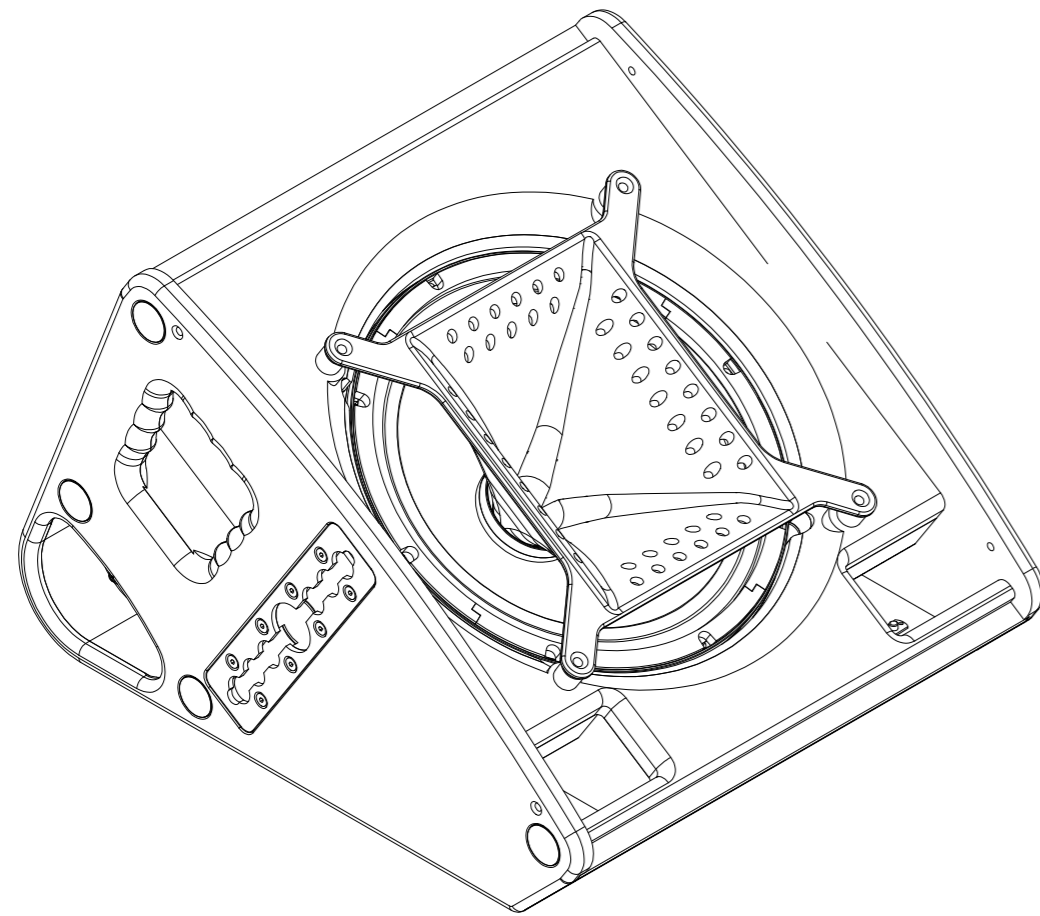
right view



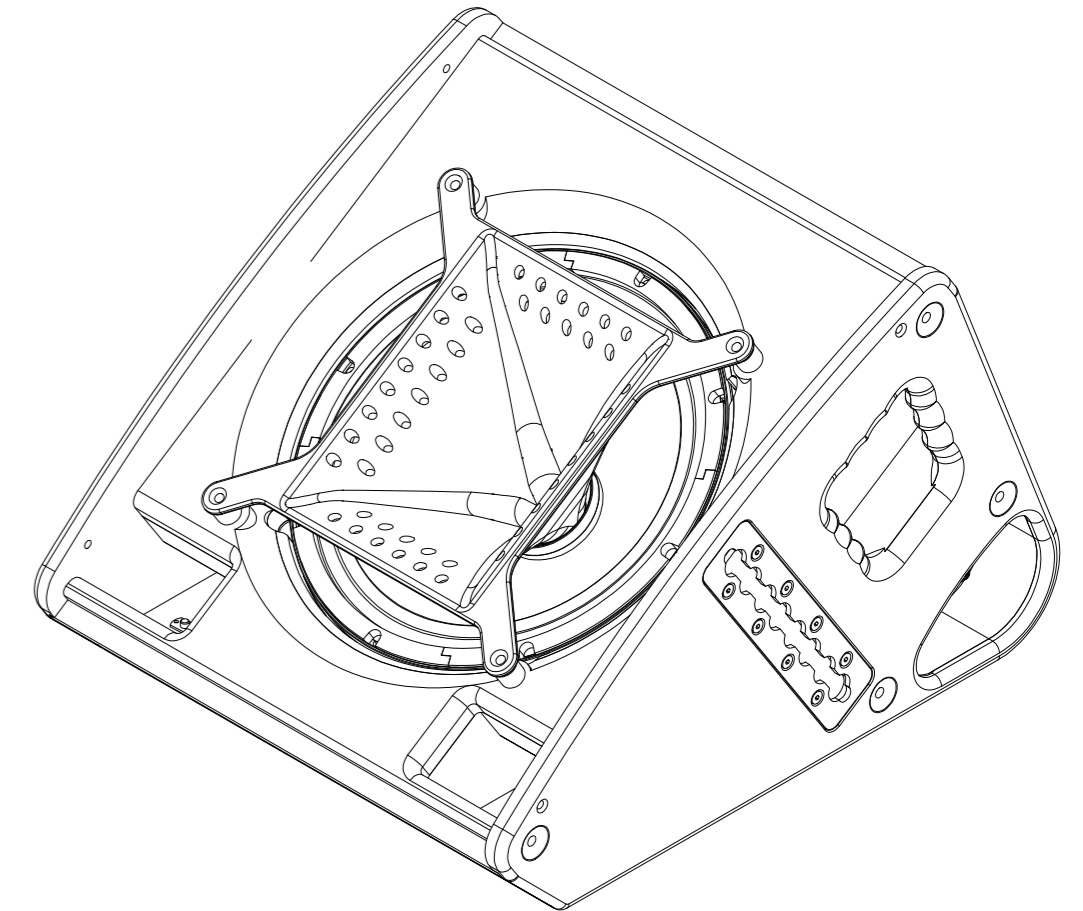
front view



left view



top view



0			06.05.2019	Heike Konrad
rev. no.		description	date	modified by
revision process				
TWAUDIO Osterholzallee 140-2 71636 Ludwigsburg www.twaudio.de		scale:	1:5	
		weight:	21 kg [47 lbs]	
All rights to this drawing reserved in accordance with ISO 16016. Copying and distribution by manufacturer's permission only.		document type:	overview drawing	
		status type:	released	
general tolerance ISO 2768-mK ISO 13920-BF ISO 9013-IIA/K according to ISO 8015		order number:	C12	
		type:	C12	
edges according to ISO 13715 surfaces (Ra) array 2 array 3 according to ISO 1302		constructed:	27.02.2013	Stefan Ullrich
		drawn:	09.12.2013	Stefan Ullrich
checked: approved: 06.05.2019 Heike Konrad C:\CAD\TWAUDIO\CAD-Daten\Produkt\YE12\C12-kpl.dwg		checked:		
		approved:	06.05.2019	Heike Konrad
drawing number:			TWA-C12-0001	
revision no.:			0	sheet: 1
				Az