



**DOUBLE
 ARM FOR
 EXTENDED
 REACH**

BTV504

DOUBLE ARM FLAT SCREEN WALL MOUNT WITH TILT & SWIVEL

Designed to wall mount small to medium sized screens, this double arm wall mount features a tilting interface and three swivel points, allowing quick and easy repositioning of screens as required - whether folded flat against the wall at a depth of 79mm or at maximum extension. Cable management is included to help make a neat and tidy mounting solution which is ideal for home installations as well as commercial applications.



SPECIFICATION	
Recommended screen size	up to 47"
Max load	25kg
VESA® compatibility	up to 200 x 200
Tilt	+/- 15°
Swivel	180° (at wall)
Screen rotation	360°
Distance from wall	Min: 79mm - Max: 385mm

FEATURES

- Easy tilt and swivel adjustment
- Features three swivel points: 180° at wall, 360° at central pivot and 240° at interface
- Screen rotation allows screen to mounted in landscape or portrait orientation
- Folds flat to the wall
- Integrated cable management
- Integrated spirit level for easy wall plate levelling during installation
- Simple 'hook-on' installation with all mounting hardware included



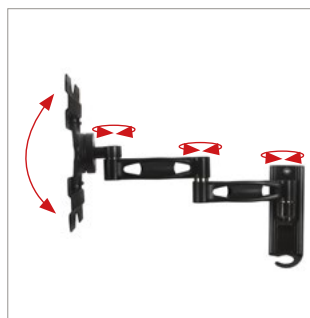
47" 120cm | VESA 200 | 25KG | +/- 15° | 180° | 360° | fulmotionmounts



Folds flat to the wall with a distance of only 79mm



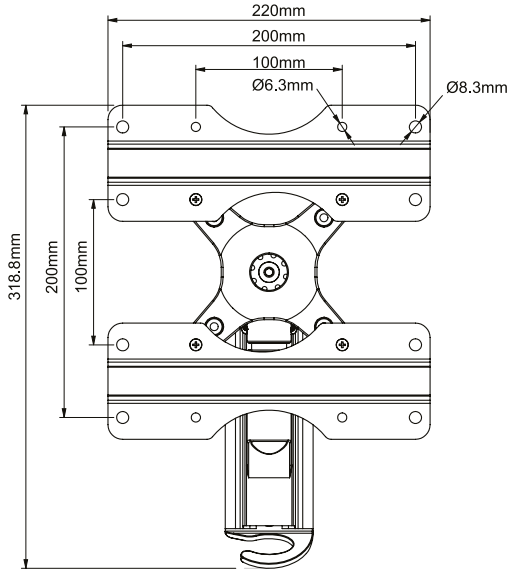
Integrated cable management and spirit level included



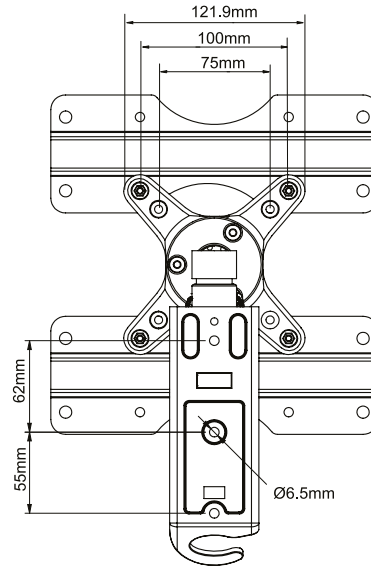
Features up/down tilt plus 3 pivot points



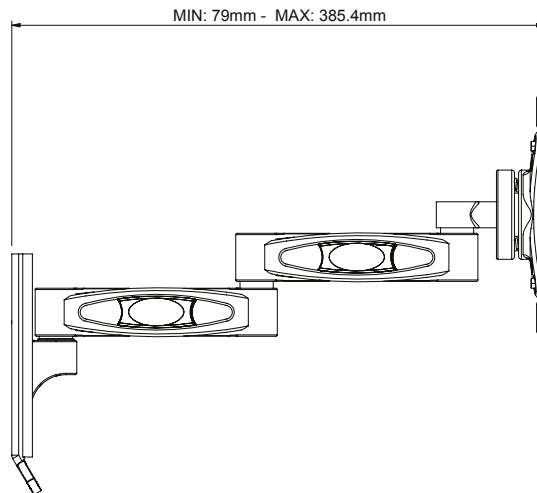
Interface allows screen rotation of 360°



FRONT VIEW EXTENSION



REAR VIEW



SIDE VIEW WITH ARM EXTENDED

PACKING INFORMATION

COLOUR:	ORDER REF:	EAN CODE:	MASTER CARTON QTY:	INNER CARTON QTY:	MASTER CARTON WEIGHT:	MASTER CARTON CUBE:
Black	BTV504/B	5019318440625	4	0	9.88kg	0.029cbm

ACCESSORIES AND SIMILAR PRODUCTS



BTV502
Flat Screen Wall Mount with Tilt & Swivel designed for screens up to 47"



BTV503
Single Arm Wall Mount with Tilt & Swivel designed for screens up to 47"



BTV920
AV Component Shelf designed for holding all common AV equipment



BTV914
Universal Soundbar Mount fits directly to BTV504 to mount a Soundbar under your screen

© 2019 B-Tech Mounts Limited. All rights reserved.
The information in this technical drawing is current technical specifications at the time of print.
We reserve the right to change the technical or physical specifications without prior notice. The B-Tech name and B-Tech logo are registered trademarks of B-Tech International Ltd.
B-Tech accepts no liability for loss or damage caused by improper or negligent installation, use, or maintenance of the product. Any reproduction or transmission or replication of any part of this specification is strictly prohibited unless prior written permission has been granted by B-Tech International Ltd. (BTL).

SS-BTV504-V2-060819