



**SINGLE ARM FOR EXTENDED REACH**

# BTV503

## SINGLE ARM FLAT SCREEN WALL MOUNT WITH TILT AND SWIVEL

Designed to wall mount small to medium sized screens, this single arm wall mount features a rotating interface with tilt and swivel, allowing quick and easy repositioning of screens as required - the mount can display the screen folded flat against the wall or up to its maximum extension of 240mm. Cable management is included to help make a neat and tidy mounting solution which is ideal for home installations as well as commercial applications.



### SPECIFICATION

Recommended screen size	up to 47"
Max load	25kg
VESA® compatibility	up to 200 x 200
Tilt	+/-15°
Swivel	180° (at wall)
Screen rotation	360°
Distance from wall	Min: 79mm - Max: 240mm

### FEATURES

- Easy tilt and swivel adjustment
- Features two swivel points: 180° at wall and 240° at interface
- Screen rotation allows screen to mounted in landscape or portrait orientation
- Folds flat to the wall
- Integrated cable management
- Integrated spirit level for easy wall plate levelling during installation
- Simple 'hook-on' installation with all mounting hardware included



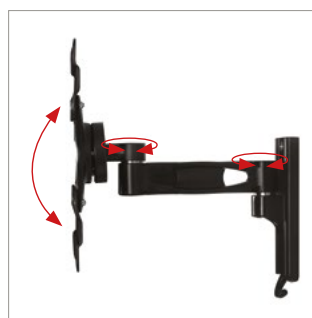
47" 120cm | VESA 200 | 25KG | 15°/15° | 180° | 360°



Folds flat to the wall with a distance of only 79mm



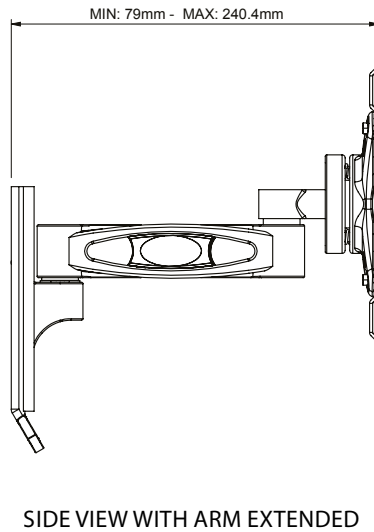
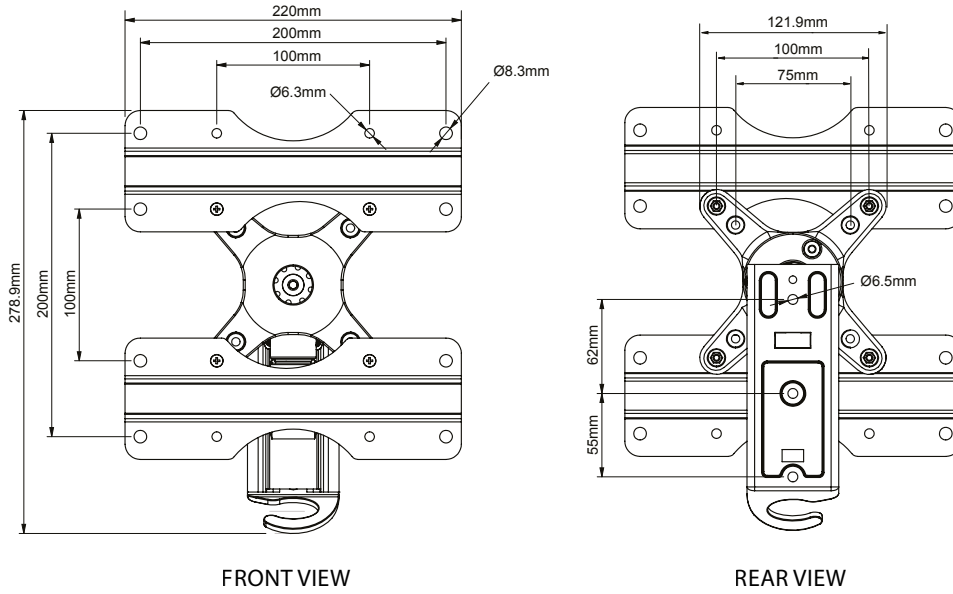
Integrated cable management and spirit level included



Features up/down tilt plus 2 pivot points



Interface allows screen rotation of 360°



**PACKING INFORMATION**

COLOUR:	ORDER REF:	EAN CODE:	MASTER CARTON QTY:	INNER CARTON QTY:	MASTER CARTON WEIGHT:	MASTER CARTON CUBE:
Black	BTV503/B	5019318440618	6	0	12.06kg	0.036cbm

**ACCESSORIES AND SIMILAR PRODUCTS**



**BTV502**  
Flat Screen Wall Mount with Tilt & Swivel designed for screens up to 47"

**BTV504**  
Double Arm Wall Mount with Tilt & Swivel designed for screens up to 47"

**BTV920**  
AV Component Shelf designed for holding all common AV equipment

**BTV914**  
Universal Soundbar Mount fits directly to BTV503 to mount a Soundbar under your screen

© 2016 B-Tech International Pty Ltd. All rights reserved.  
The information in this specification is current technical specifications as the time of print.  
We reserve the right to change the technical or physical specifications without notice. The B-Tech name and B-Tech logo are registered trademarks of B-Tech International Ltd.  
B-Tech accepts no liability for loss or damage caused by improper or misuse of our products. Any reproduction or transmission or replication of any part of this specification is strictly prohibited unless prior written permission has been granted by B-Tech International Ltd. (BTL).

SS-BTV503-V2-060819