



FOR  
 EXTRA-LARGE  
 SCREENS

# BTF843

## UNIVERSAL PORTRAIT FLAT SCREEN FLOOR STAND - 1.8M

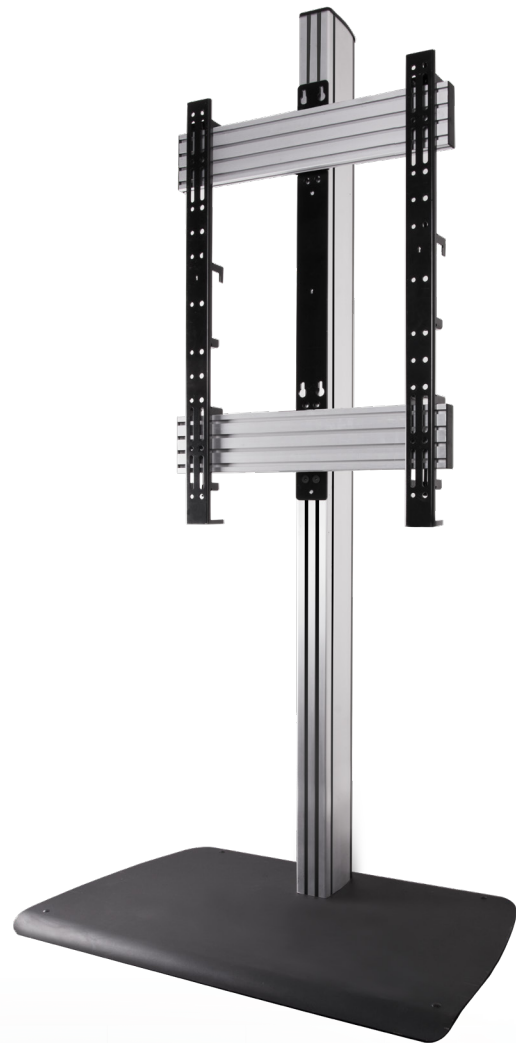
The BTF843 is a premium mounting solution designed to mount extra-large screens in a portrait orientation. A heavy duty steel base eliminates the need to bolt to the floor and adjustable levelling feet are included to accommodate uneven surfaces. The high-end aesthetic with an anodised aluminium finish and integrated cable management ensures finished installations are neat and tidy, making the BTF843 ideal for use in professional or commercial applications.

### SPECIFICATION

Recommended screen size	60" to 85"
Max load	70kg
VESA® and non-VESA fixings	up to 800 x 600mm
Dimensions	W: 890mm H: 1841mm D: 604mm
Colour (column)	Black or Silver
Colour (rails)	Silver
Colour (base & arms)	Black

### FEATURES

- Universal design suitable for mounting XL screens in a portrait orientation
- Heavy duty steel construction provides stability, eliminating the need to bolt to the floor
- Can also be bolted to the floor to help prevent unauthorised relocation of the display
- Supplied with adjustable levelling feet to accommodate uneven floor surfaces
- Arms feature levelling screws to adjust the screen height
- Collar compatible accessories such as shelves can be fitted directly to the column
- Integrated cable management for a neat and tidy installation
- Safety screws help prevent unauthorised screen removal
- Simple 'hook-on' screen installation



SYSTEM X™



Supplied with adjustable levelling feet to accommodate uneven floor surfaces



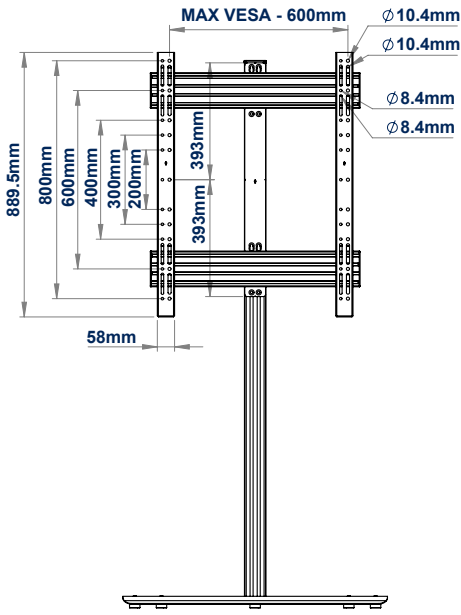
Collar compatible accessories such as shelves (available separately) can be fitted directly to the column



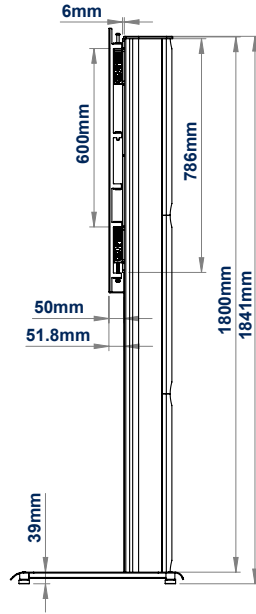
Arms feature levelling screws to adjust the screen height



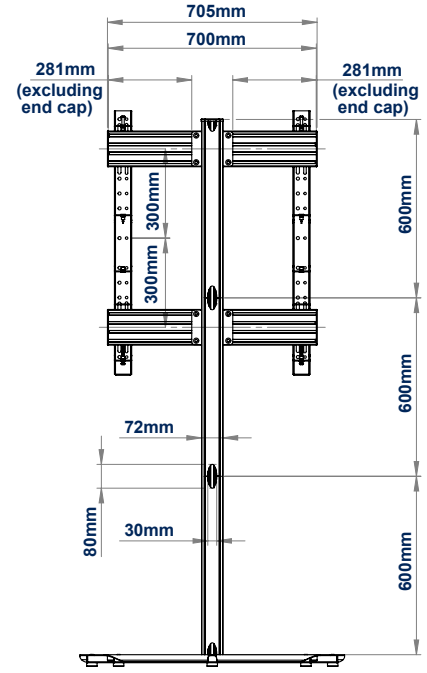
Integrated cable management for a neat and tidy installation



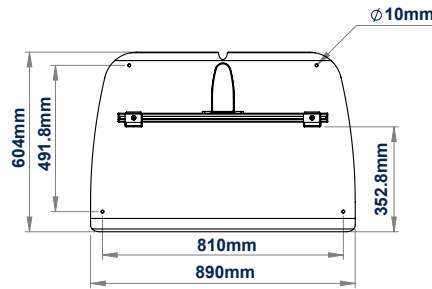
FRONT VIEW



SIDE VIEW



REAR VIEW



TOP VIEW

**PACKING INFORMATION**

PLEASE NOTE, THIS IS A MULTI-BOX ITEM

Colour:	Order Ref:	EAN Code:	Master Carton Qty:	Carton Qty:	Master Carton Weight:	Master Carton Cube:
Black	BTF843/BB	5019318087608	N/A	3	20.5kg / 12.5kg / 13.75kg	x2 0.07cbm / x0.05cbm
Silver	BTF843/BS	5019318087615	N/A	3	20.5kg / 12.5kg / 13.75kg	x2 0.07cbm / x0.05cbm

**ACCESSORIES AND RELATED PRODUCTS**



**BT7032**  
Large AV Accessory Shelf is ideal for adding AV accessories such as a Blu-Ray player or laptop to an installation or a wall



**BT7863**  
VC Camera Shelf is ideal for adding VC cameras or small media players to an installation or directly to the wall



**BTF840**  
System X Flat Screen Floor Stand - 1.8m designed to mount a single screen in portrait or landscape style



**BTF841**  
System X Dual Stack Floor Stand - 1.8m designed to mount two screens, one above the other, in portrait or landscape style

© 2016 B-Tech Mounts. All rights reserved. This information is provided for informational purposes only. B-Tech Mounts and its products are registered trademarks of B-Tech Mounts. All other trademarks are the property of their respective owners. B-Tech Mounts is not responsible for any damage or loss of data caused by improper use of its products. Any reproduction or transmission of any part of this specification is strictly prohibited unless prior written permission has been granted by B-Tech Mounts. B-Tech Mounts is not responsible for any damage or loss of data caused by improper use of its products. Any reproduction or transmission of any part of this specification is strictly prohibited unless prior written permission has been granted by B-Tech Mounts. B-Tech Mounts is not responsible for any damage or loss of data caused by improper use of its products. Any reproduction or transmission of any part of this specification is strictly prohibited unless prior written permission has been granted by B-Tech Mounts.