



FOR PORTRAIT
& LANDSCAPE
MOUNTING

BTF840

SYSTEM X™

UNIVERSAL FLAT SCREEN STAND

The BTF840 is a premium mounting solution designed to mount screens up to 65" in either landscape or portrait orientation. A heavy duty steel base eliminates the need to bolt to the floor and adjustable levelling feet are included to accommodate uneven surfaces. The high-end aesthetic with an anodised aluminium finish and integrated cable management ensures finished installations are neat and tidy, making the BTF840 ideal for use in professional or commercial applications.

SPECIFICATION

Recommended screen size	39" - 65"
Max load	70kg
VESA® & non-VESA fixings (as standard)	up to 430 x 400mm*
VESA® & non-VESA fixings (with included adaptors)	up to 600 x 400mm*
Dimensions	W: 890mm H: 1841mm D: 604mm
Colour (column & rail)	Black or Silver

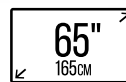
*As standard the maximum fixing dimension is 400mm. Increase either the horizontal or vertical fixing to 600mm using the included interface adaptor arms.

FEATURES

- Universal design suitable for mounting screens in a landscape or portrait orientation
- Heavy duty steel base construction provides stability, eliminating the need to bolt to the floor
- Can also be bolted to the floor to help prevent unauthorised relocation of the display
- Supplied with adjustable levelling feet to accommodate uneven floor surfaces
- Arms feature levelling screws to adjust the screen height
- Collar compatible accessories such as shelves can be fitted directly to the column
- Integrated cable management for a neat and tidy installation
- Safety screws help prevent unauthorised screen removal
- Simple 'hook-on' screen installation



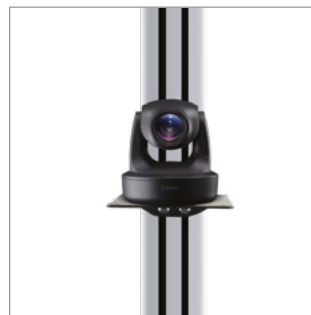
SYSTEM X™



Maximum VESA fixing can be increased to 600mm using the included adaptor arms



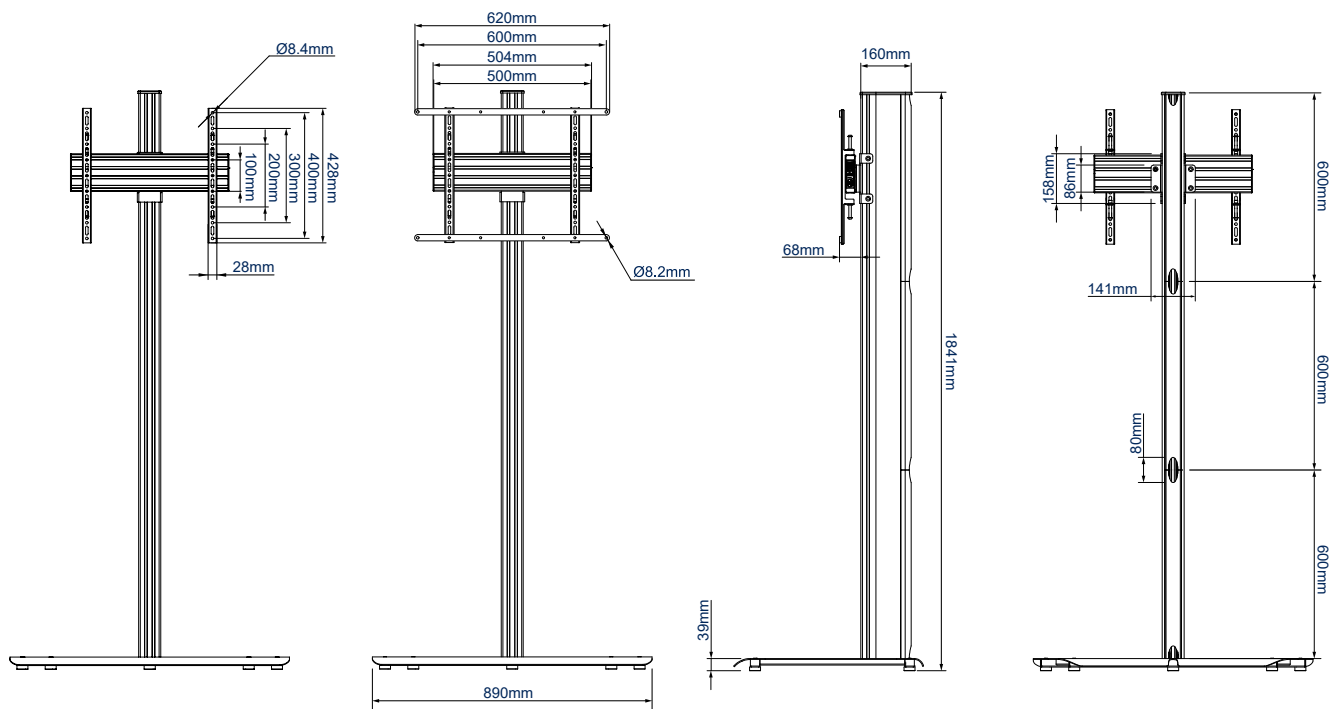
Supplied with adjustable levelling feet to accommodate uneven floor surfaces



Collar compatible accessories such as shelves (available separately) can be fitted directly to the column



Integrated cable management for a neat and tidy installation

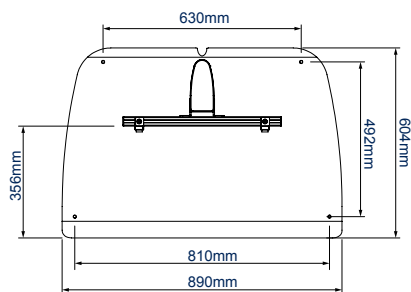


FRONT VIEW

FRONT VIEW WITH ADAPTOR ARMS

SIDE VIEW WITH ADAPTOR ARMS

REAR VIEW



TOP VIEW

PACKING INFORMATION

PLEASE NOTE, THIS IS A MULTI-BOX ITEM

COLOUR:	ORDER REF:	EAN CODE:	MASTER CARTON QTY:	CARTON QTY:	MASTER CARTON WEIGHT:	MASTER CARTON CUBE:
Black	BTF840/BB	5019318087547	N/A	3	20.5kg / 12.5kg/ /5.5kg	x2 0.07cbm / x0.01cbm
Silver	BTF840/BS	5019318087554	N/A	3	20.5kg / 12.5kg/ /5.5kg	x2 0.07cbm / x0.01cbm

ACCESSORIES AND RELATED PRODUCTS



BT7032
Large AV Accessory Shelf is ideal for adding AV accessories such as a Blu-Ray player or laptop to an installation or a wall



BT7863
VC Camera Shelf is ideal for adding VC cameras or small media players to an installation or directly to the wall



BT8390-VESA400T
VESA 400 Interface Arms designed to mount medium / large sized screens in a tilted position



BTF841
System X Dual Stack Floor Stand - 1.8m designed to mount two screens, one above the other, in portrait or landscape style

© 2016 B-Tech Professional Design & Manufacturing Limited. All rights reserved. The information in this specification is for reference only and does not constitute an offer of any product. B-Tech Professional Design & Manufacturing Limited is not responsible for any damage or loss of data caused by the use of this specification. B-Tech Professional Design & Manufacturing Limited is not responsible for any damage or loss of data caused by the use of this specification. B-Tech Professional Design & Manufacturing Limited is not responsible for any damage or loss of data caused by the use of this specification.