

B-TECH AV MOUNTS®

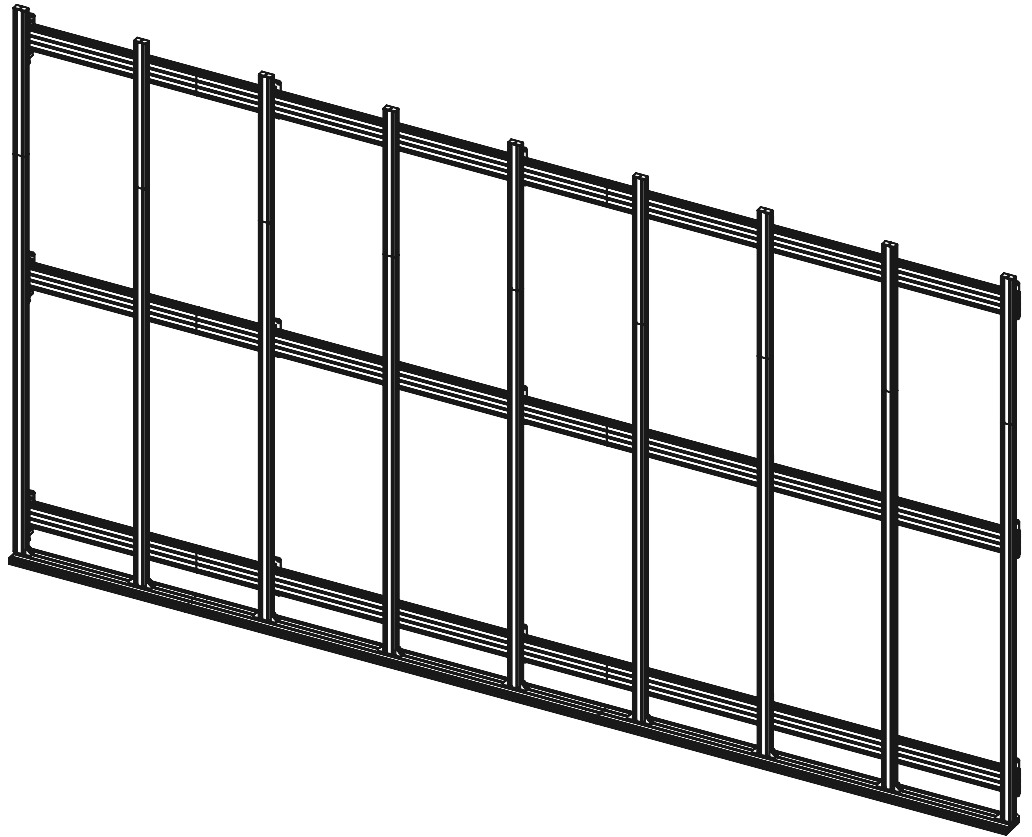
B-TECH AV MOUNTS

BT9340-FM

UNIVERSAL DVLED VIDEOWALL MOUNT
FOR FRONT MOUNTED DVLED CABINETS



INSTALLATION GUIDE



SPECIFICATIONS

- Universal mounting solution suitable for a variety of DVLED cabinets and configurations
- Designed for front mounted DVLED cabinets
- Open frame allows panel access for easy servicing and maintenance
- Pre-assembly of major parts for quick and easy installation
- All mounting hardware included
- For indoor use only



www.btechavmounts.com

CONTENTS

Installation Safety Notes.....	2
Parts List.....	4
Installation Instructions.....	6
B-Tech Contact Details.....	16

INSTALLATION SAFETY INSTRUCTIONS



CAUTION: This mount is intended for use only with the maximum weights indicated. Use with equipment heavier than the maximum indicated may result in instability causing possible injury.

Do not attempt to install this product until all instructions and warnings have been read and properly understood.
Please keep these instructions for future reference.

Please check carefully to make sure there are no missing or defective parts - defective parts must never be used.
B-Tech AV Mounts, its distributors and dealers are not liable or responsible for damage or injury caused by improper installation, improper use or failure to observe these safety instructions. In such cases, all guarantees will expire.

General

B-Tech AV Mounts recommends that a professional AV installer or other suitably qualified person install this product. Great care must always be taken during installation as most AV equipment is of a fragile nature, possibly heavy and easily damaged if dropped.

If you do not fully understand the instructions or are not sure how to install this product safely, then please consult a professional for advice and/or to install this product for you. Failure to mount this product correctly may cause serious injury or death both during installation and at any time thereafter.

Do not mount any AV equipment that exceeds the specific weight limit of the product you are installing.
This weight limit will be clearly stated on each product and its packaging and will vary from product to product.

Product location

Please pay careful attention to where this product is located. Check load capacity of the wall prior to installation as some surfaces are not suitable for installation. Designed for indoor use, this mount is suitable for public or home installation. If located in a public or frequently populated area ensure that the product is out of the immediate reach of people. If any AV equipment is to be suspended over the likely path or location of people then great care should be taken to secure all parts of the installation from falling.

When drilling holes it is essential to avoid contact with electrical cables and water or gas pipes contained within. Use of a good quality live wire detector and hidden object locator is therefore recommended.
Only drill into structures when you are sure it is safe to do so.

Fixing hardware

It is highly recommended that all fixing screws be used where supplied and that the purpose of all other fixing hardware is fully understood. In some cases more AV equipment fixing hardware will be supplied to accommodate different models of equipment and set up configurations. The installer must be satisfied that any supplied fixing hardware is suitable for each specific installation. The fixing kit supplied with the product may not be suitable for all walls.
If any fixing screws or included hardware are deemed not sufficient for a safe installation then please consult a professional or your local hardware store.

Hazard limitation

When routing cables take advantage of any built in cable management features that the product might provide and ensure that all cables are tidy and secure. Check to see that any moving aspect of the product can do so unhindered by any cabling. Some products have moving parts and the potential to cause injury through the crushing or trapping of fingers or other body parts. Particular attention to the nature of moving parts is required especially when assembling installing and adjusting during set up. Immediately after installation double-check that the work done is safe and secure. Double-check all necessary fixings are present and are of ample tightness.

It is recommended that periodic inspections of the product and its fixing points are made as frequently as possible (no more than 6 months apart) to ensure that safety is maintained.

If in doubt consult a professional AV installer or other suitably qualified person.

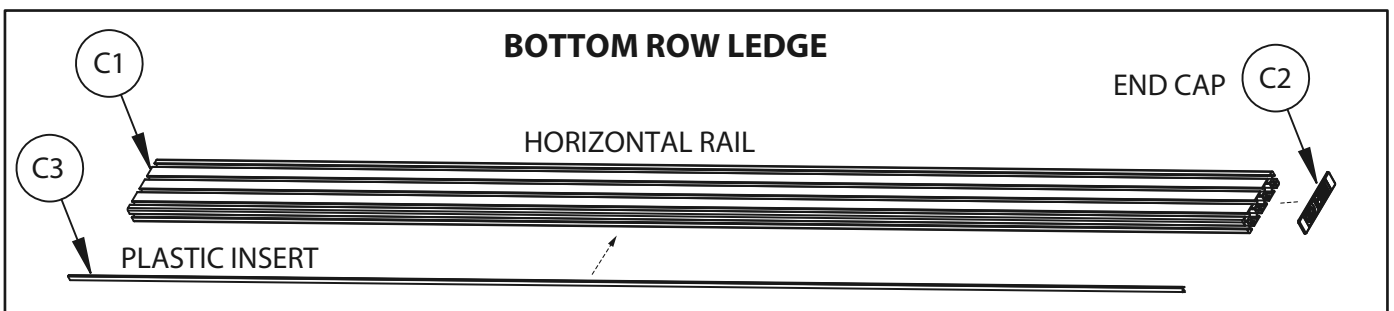
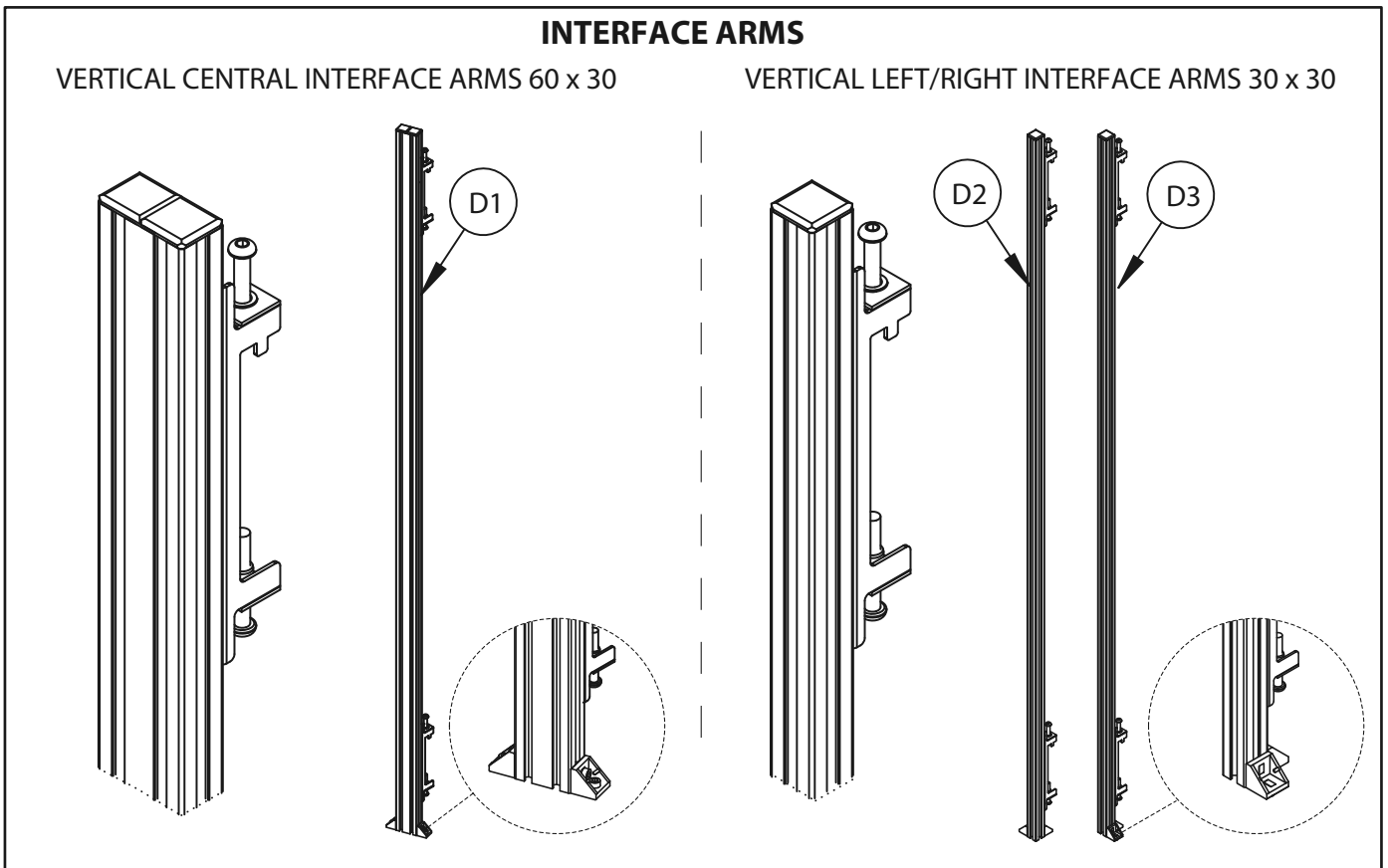
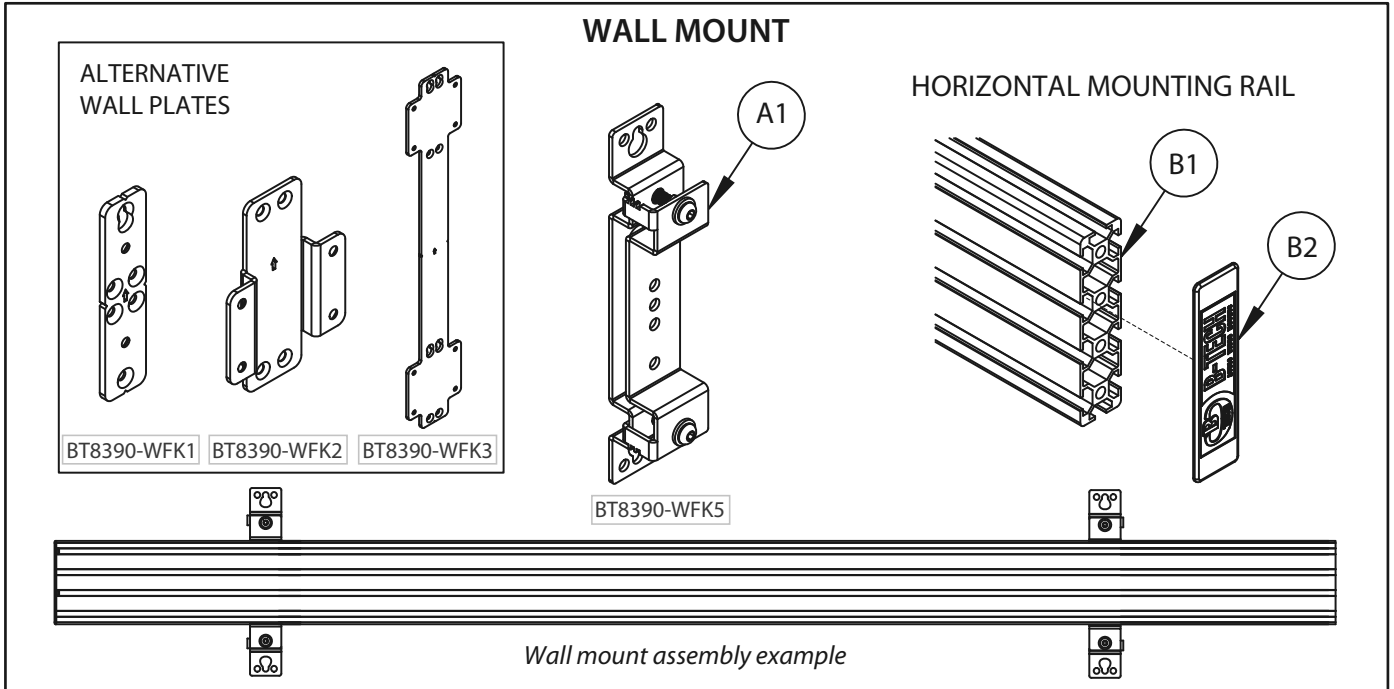
- CN B-Tech AV Mounts 建议本产品由专业AV安装人员或其他合格人员安装。 B-Tech AV Mounts 及它的代理商、经销商不由于不恰当的安装而造成的损失或伤害负责。 本产品必须安装在合适的架构上，并仅用于不超过所标示的最大承重。
- CS Společnost B-Tech AV Mounts doporučuje provést instalaci tohoto produktu instalátora AV či jinak způsobilé osoby. Společnost B-Tech AV Mounts, její distributoři a prodejci nenesou prostřednictvím odborného odpovědnost za škody nebo zranění způsobená nevhodnou instalací. Tento výrobek je nutno umístit do vhodné konstrukce a používat jen po uvedené maximální výšce.
- DE B-Tech AV Mounts empfiehlt, dass dieses Produkt durch einen qualifizierten AV-Techniker oder eine andere Person mit geeigneter Qualifikation installiert wird. B-Tech AV Mounts, ihre Distributoren und Händler können nicht für durch fehlerhafte Montage verursachte Beschädigung oder Verletzung haftbar bzw. verantwortlich gemacht werden. Dieses Produkt muss auf einen geeigneten Untergrund montiert werden und darf nur bis zum angegebenen Höchstgewicht verwendet werden.
- ES B-Tech AV Mounts recomienda que un instalador de audio y video profesional u otra persona debidamente cualificada instalen este producto. B-Tech AV Mounts, sus distribuidores y concesionarios no se hacen cargo ni se responsabilizan de ningún daño o lesión provocados por una instalación inapropiada. Este producto se debe montar en una estructura adecuada y se debe utilizar soportando solamente hasta el peso máximo indicado.
- FR B-Tech AV Mounts recommande de confier l'installation de ce produit à un installateur AV professionnel ou à une autre personne dûment qualifiée. B-Tech AV Mounts, ses distributeurs et ses revendeurs ne sauraient être tenus responsables de tout dégât ou de toute blessure résultant d'une installation incorrecte. Ce produit doit être monté sur un support approprié et utilisé dans la limite du poids maximum indiqué.
- IT B-Tech AV Mounts consiglia di affidare l'installazione di questo prodotto a un installatore specializzato o ad altra persona adeguatamente qualificata. B-Tech AV Mounts, i suoi distributori e rivenditori non accettano alcuna responsabilità nei riguardi di eventuali danni o infortuni causati da un'errata installazione. Questo prodotto deve essere fissato a una struttura idonea e utilizzato unicamente sino al peso massimo indicato.
- JP B-Tech AV Mounts はAV設置の専門家または適合した知識を備えた人が製品を設置することを推奨します。 B-Tech AV Mounts と販売店、取引先はこうした安全指針に従わない場合に随伴される製品の損傷や傷害に対する責任を負いません。場合によって製品が設置されるに適していないところもあるので設置位置に特別な注意を傾けてください。この製品の位置に注意を傾けて設置に適していない壁があるかを確認してください。指定した重さ制限を超過するAV装備を装着しないでください。
- KR B-Tech AV Mounts 는 AV 설치 전문가 또는 적합한 지식을 갖춘 사람이 제품을 설치하도록 권장합니다. B-Tech AV Mounts 와 판매점, 거래처는 이러한 안전 지침을 따르지 않을 경우에 수반될 제품의 손상이나 상해에 대한 책임을 지지 않습니다. 경우에 따라 제품이 설치되기에 적합하지 않은 곳들도 있으므로 설치 위치에 특별한 주의를 기울여 주시기 바랍니다. 제품의 설치 위치에 주의를 기울여 확인하십시오. 지정된 무게 제한을 초과하는 AV 장비를 장착하지 마십시오.
- NL B-Tech AV Mounts adviseert om dit product te laten installeren door een professionele AV-installateur of andere hiervoor gekwalificeerde persoon. B-Tech AV Mounts, haar distributeurs en dealers zijn niet aansprakelijk of verantwoordelijk voor schade of letsel die is veroorzaakt door onoordeelkundige installatie. Dit product moet worden gemonteerd aan een geschikte constructie, waarbij het aangegeven maximum gewicht niet mag worden overschreden.
- PL Firma B-Tech AV Mounts zaleca, aby ten produkt był instalowany przez profesjonalnych instalatorów AV lub inny odpowiednio przeszkolony personel. Firma B-Tech AV Mounts, jej dystrybutorzy i dealerzy nie ponoszą odpowiedzialności za uszkodzenia lub obrażenia ciała powstałe w wyniku nieprawidłowej instalacji. Niniejszy produkt musi być amontowany na odpowiedniej powierzchni, a podczas użytkowania nie wolno przekraczać podanego maksymalnego obciążenia.
- PT A B-Tech AV Mounts recomenda que a instalação deste produto seja efectuada por um instalador de AV instalador de AV profissional ou outra pessoa devidamente habilitada. A B-Tech AV Mounts e os seus distribuidores e concessionários não são responsáveis por danos ou lesões causados por uma instalação incorrecta. Este produto tem de ser montado numa estrutura adequada e utilizado somente até ao peso máximo indicado.
- RU Компания B-Tech AV Mounts рекомендует, чтобы установка данного изделия производилась инженером по установке аудио-видеотехники или другим специалистом с соответствующей квалификацией. Компания B-Tech AV Mounts ее дистрибьюторы и дилеры не несут ответственности за повреждения или травмы, полученные в результате неправильной установки.

توصي بي- تك للتجارة الدولية المحدودة بأن شخص محترف في تركيب ال AV او شخص مؤهل تأهيلا مناسباً لتركيب هذا المنتج. بي- تك للتجارة الدولية، موزعيها والتجار ليست عرضة أو مسؤولة عن الأضرار أو الإصابات الناجمة عن تركيب غير سليم، والاستخدام غير السليم أو عدم مراعاة هذه التعليمات للسلامة. يجب أن يتم تركيب هذا المنتج في بنية مناسبة ويجب استخدامه فقط لدعم الحد الأقصى للوزن المشار إليه.

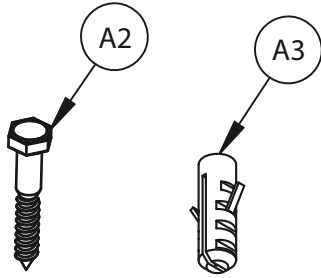
BT9340-FM PARTS LIST

PLEASE KEEP THIS FOR FUTURE REFERENCE

Note: Images for reference only as sizes may differ depending on installation type



WALL FIXING KIT

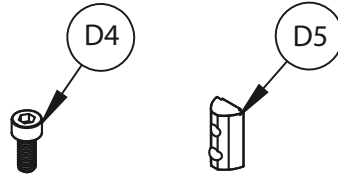


M8 x 50mm
COACH SCREW

No.10
WALL PLUG*

**If required. (For installing into brick/concrete walls)*

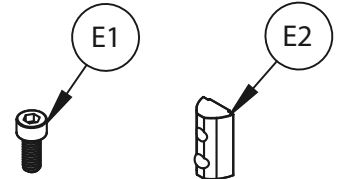
INTERFACE ARM FIXING KIT



M6 x 14mm CAP
HEAD HEX SCREW

M6 INSERT
NUT

DVLED CABINET FIXING KIT

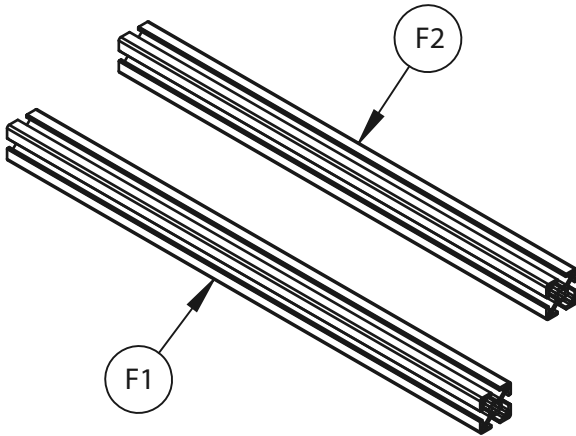


CAP HEAD
HEX SCREW*

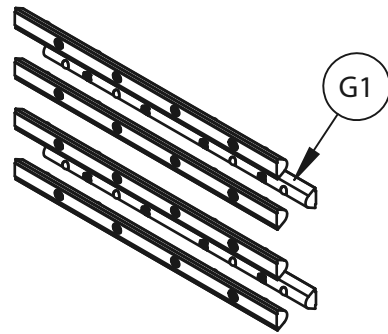
INSERT
NUT*

**Size dependent on LED cabinet*

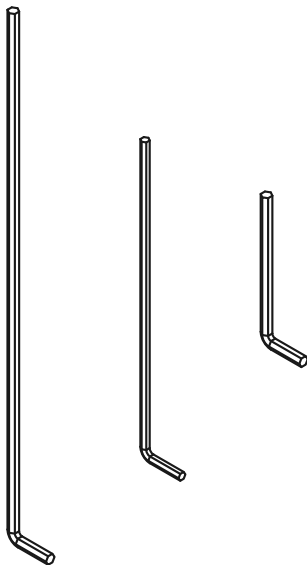
Installation Spacers



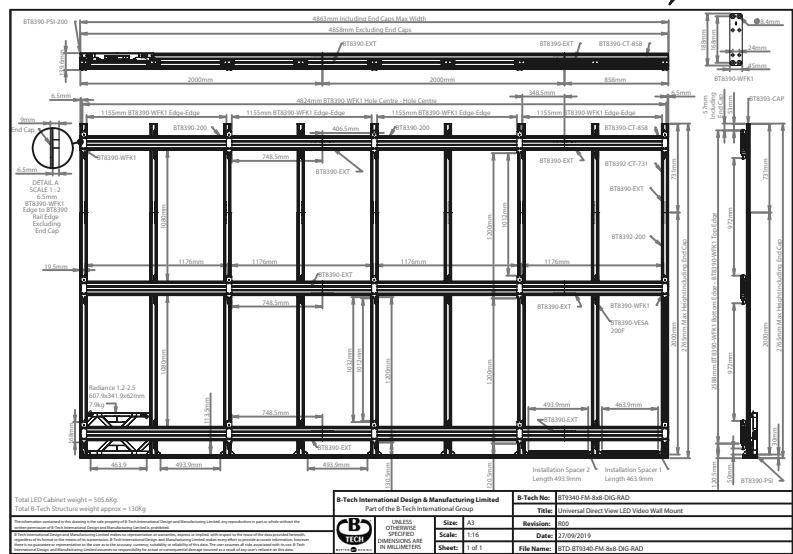
Optional Rail Extension Kit



Hex Keys (Assorted)



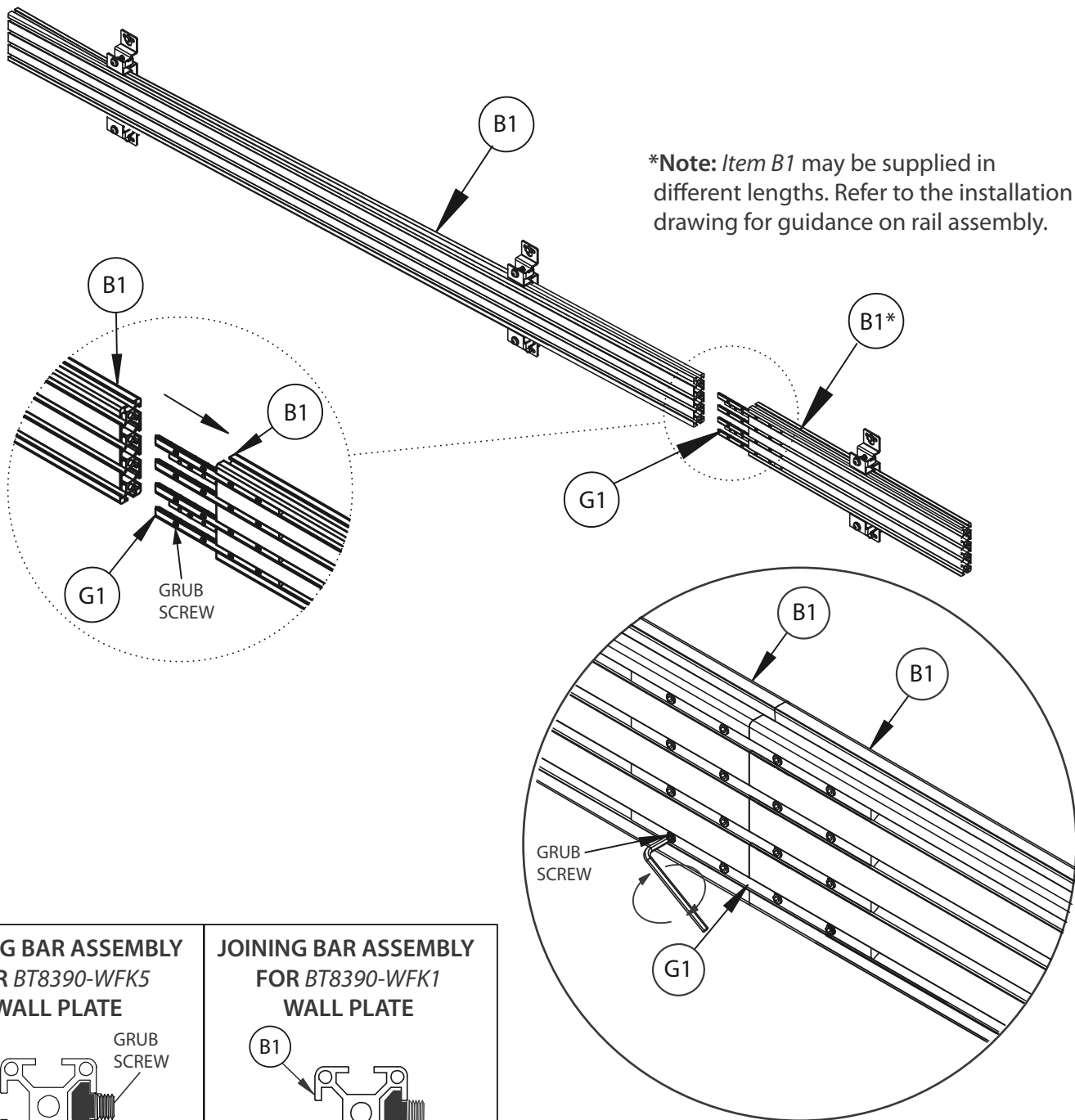
Installation Drawing



INSTALLATION INSTRUCTIONS

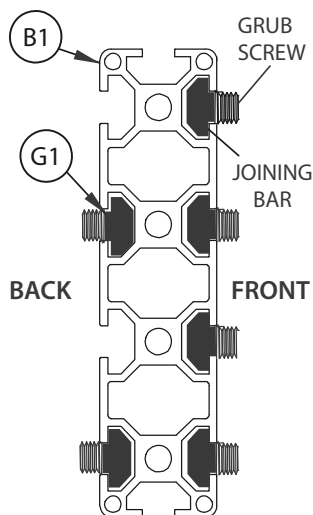
1. OPTIONAL EXTEND MOUNTING RAILS

Connect *items B1** together using *item G1* and tighten grub screws, combining the rails securely. Repeat this procedure for the both rails.

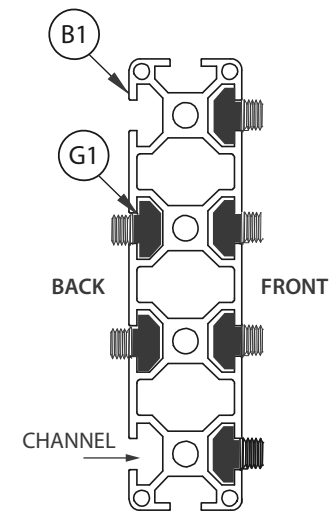


***Note:** *Item B1* may be supplied in different lengths. Refer to the installation drawing for guidance on rail assembly.

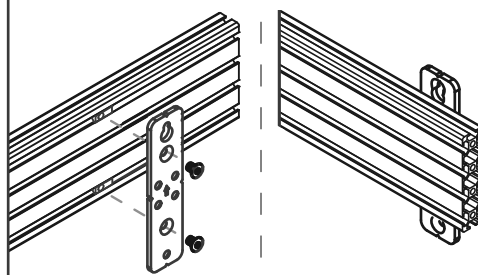
JOINING BAR ASSEMBLY FOR BT8390-WFK5 WALL PLATE



JOINING BAR ASSEMBLY FOR BT8390-WFK1 WALL PLATE



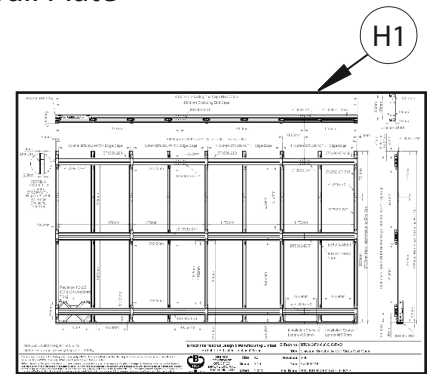
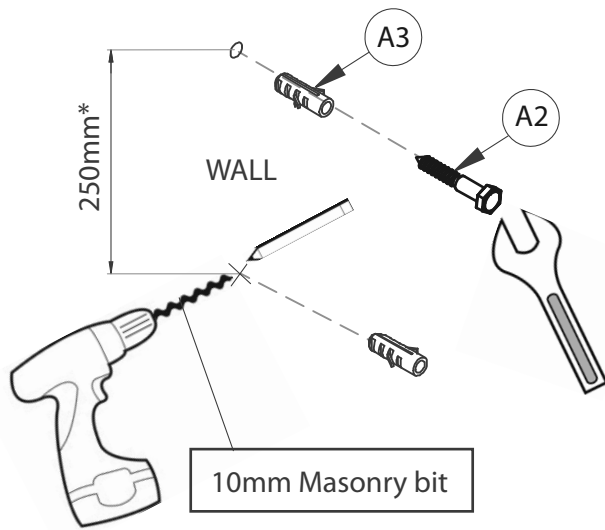
Alternative Wall Plate (BT8390-WFK1)



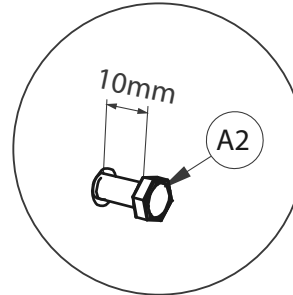
2. FIX MOUNTING RAILS TO THE WALL

Keyhole mounting - Using a BT8390-WFK5 Adjustable Depth Wall Plate

- i. Use the installation drawing (*item H1*) to mark and drill the fixing holes for each *item A1* assembled on *item B1*, starting with the bottom rail.
- ii. Insert *item A2* into the top fixing holes, do not fully tighten. Allow a gap (approx. 10mm) to hook on *item A1*.

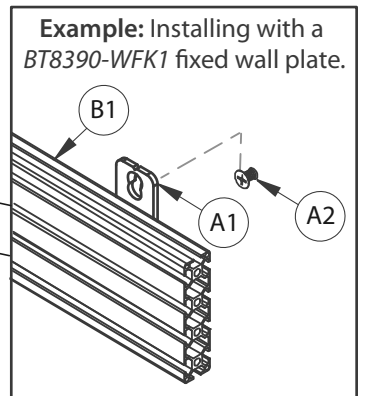


INSTALLATION DRAWING

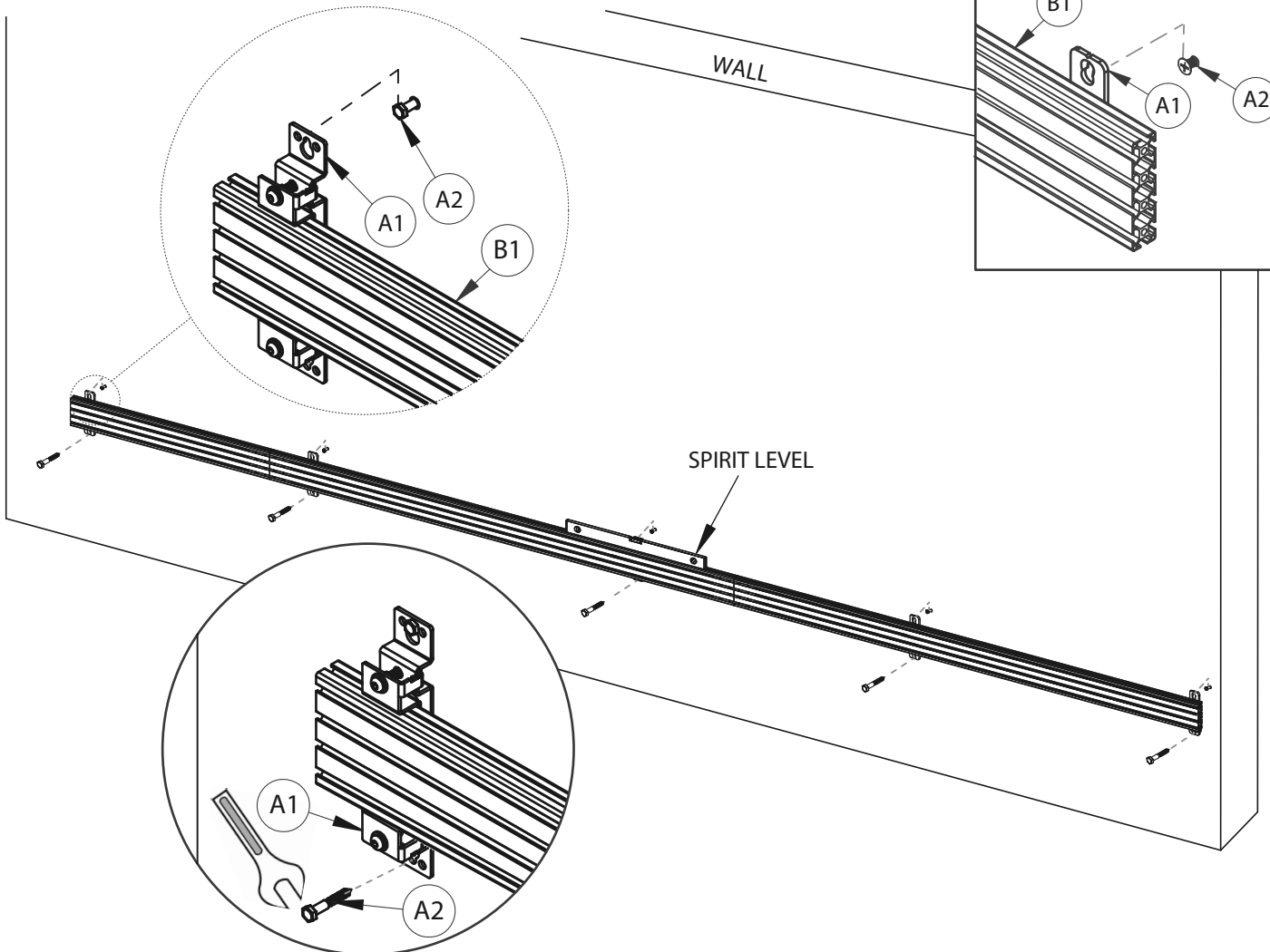


*Note: 250mm measurement is for use with BT8390-WFK5 wall plates.

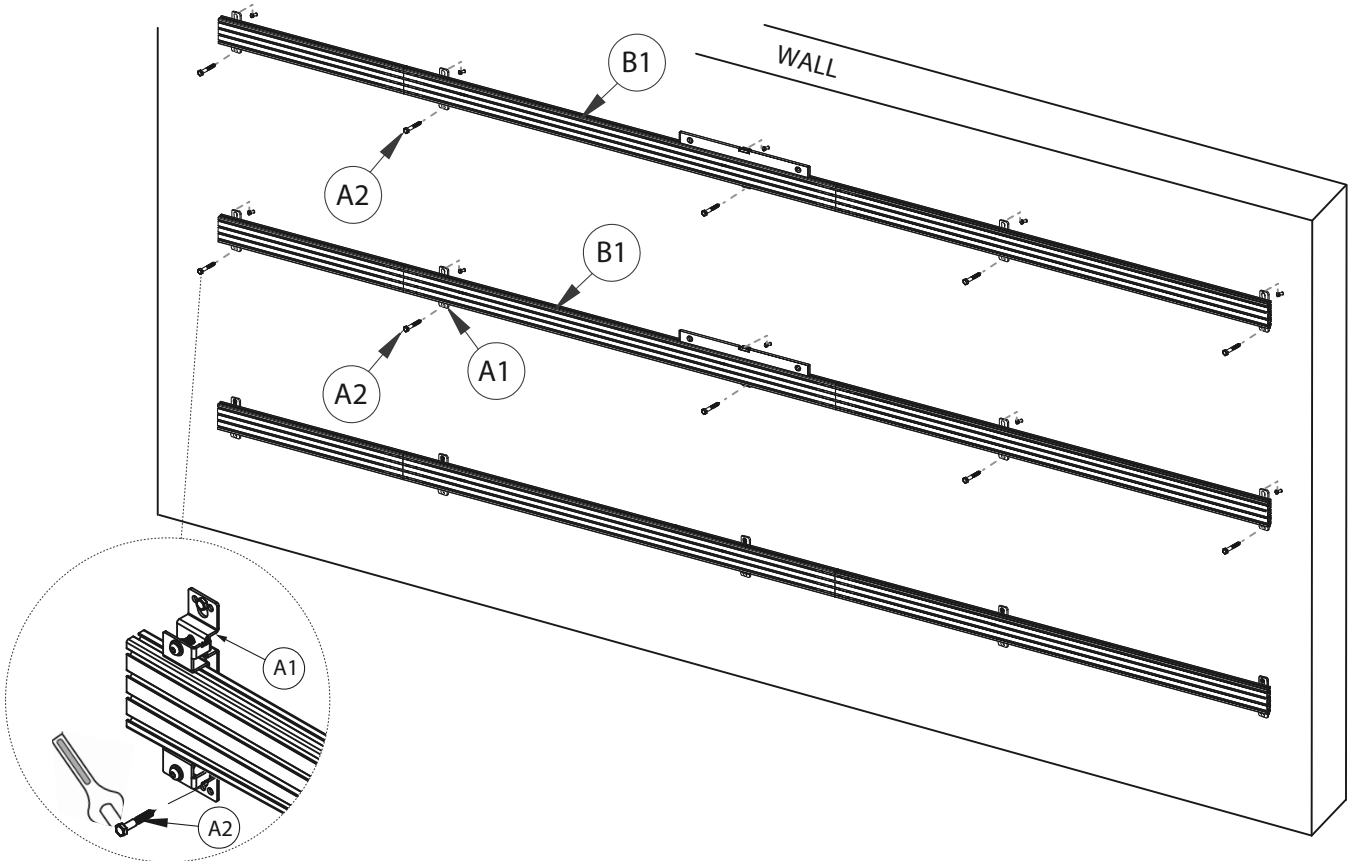
- iii. Once the bottom rail (*items A1 & B1*) has been hooked on, screw *item A2* into the bottom fixing holes of *item A1* and tighten all fixings.



Example: Installing with a BT8390-WFK1 fixed wall plate.

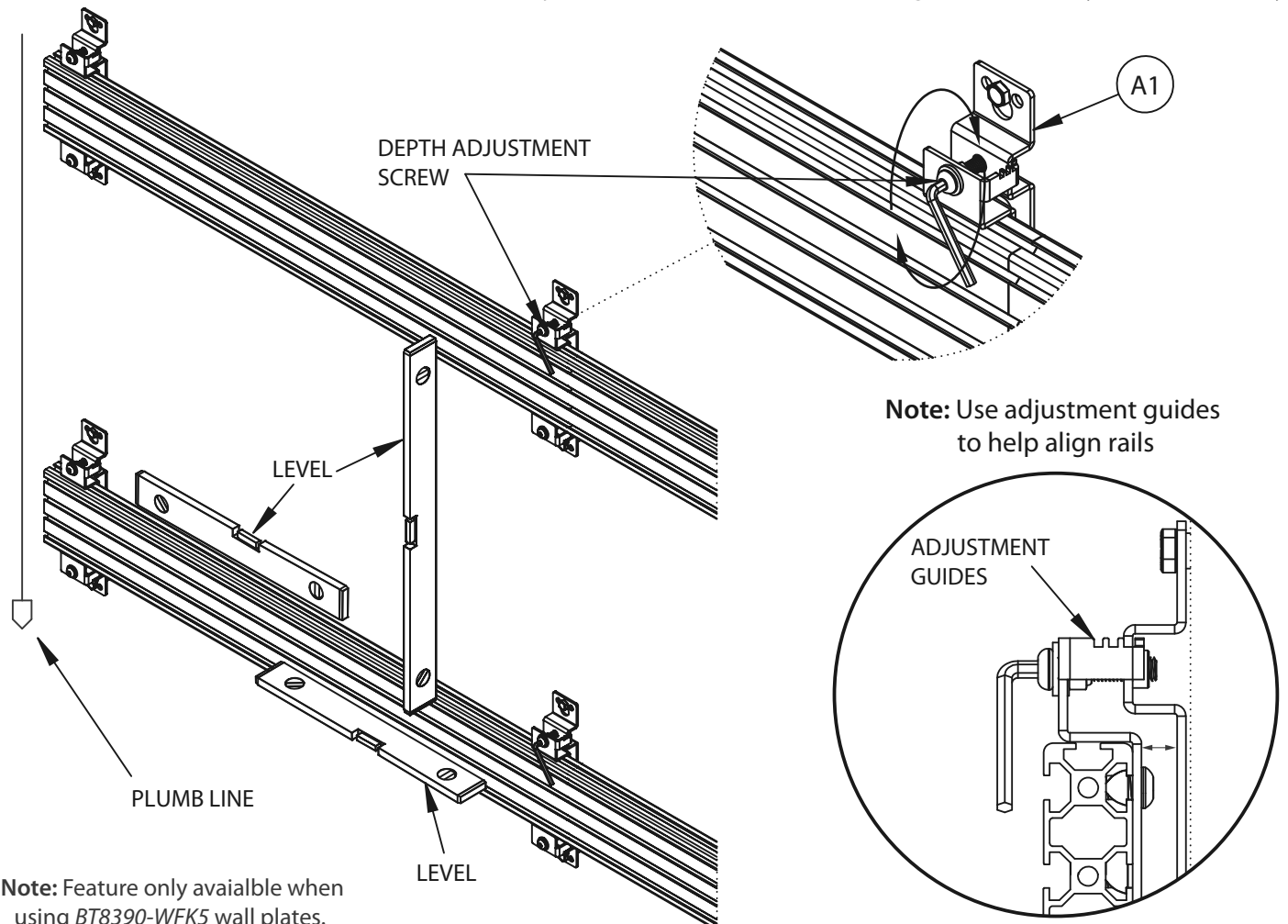


iv. Refer to the installation drawing (*item H1*) to position and fix the remaining rails (*item B1*).



ADJUST RAILS TO ALIGN*

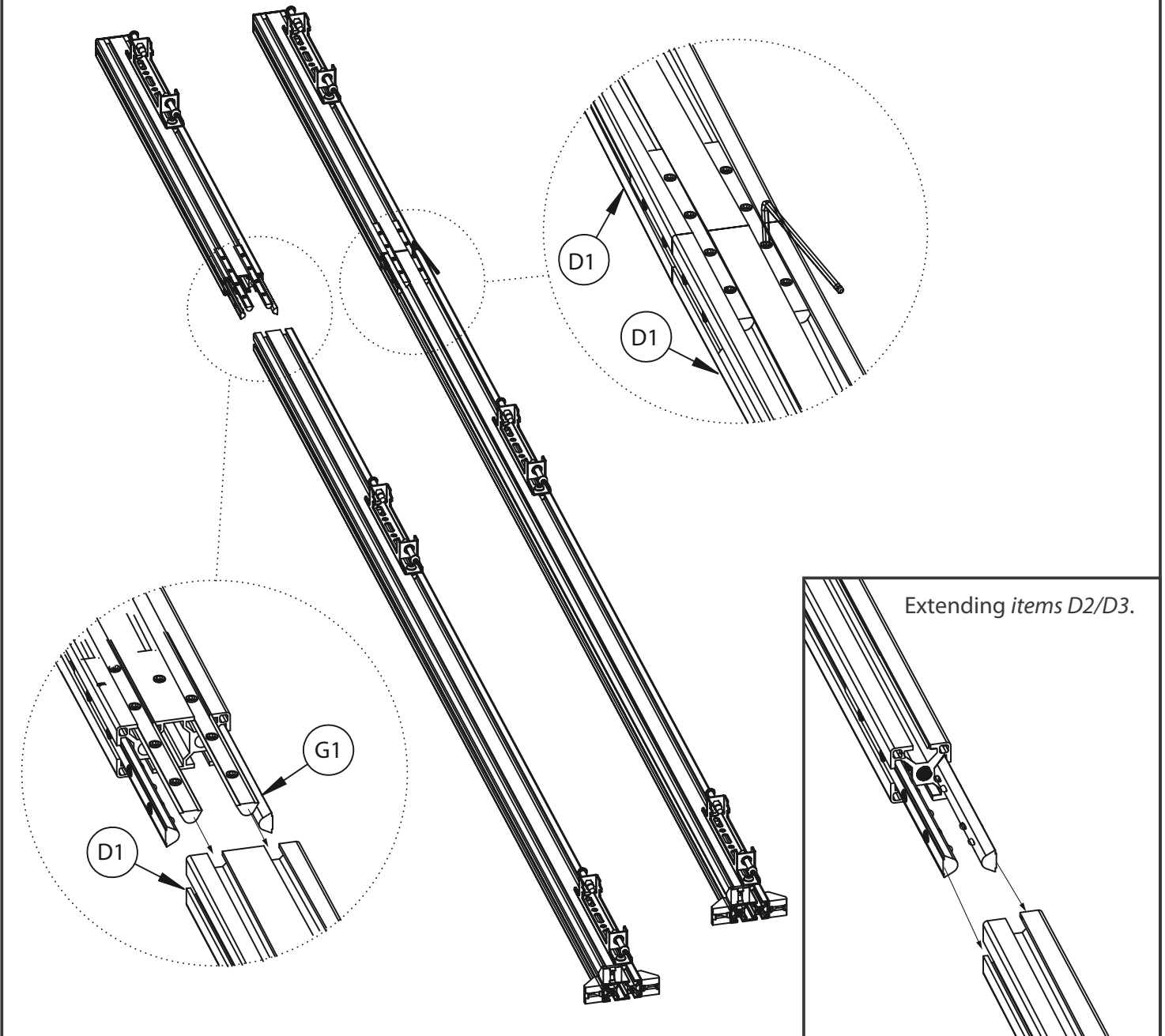
v. Use a plumb line, spirit level and the depth adjustment screws on *item A1* to align rails vertically and horizontally.



*Note: Feature only available when using BT8390-WFK5 wall plates.

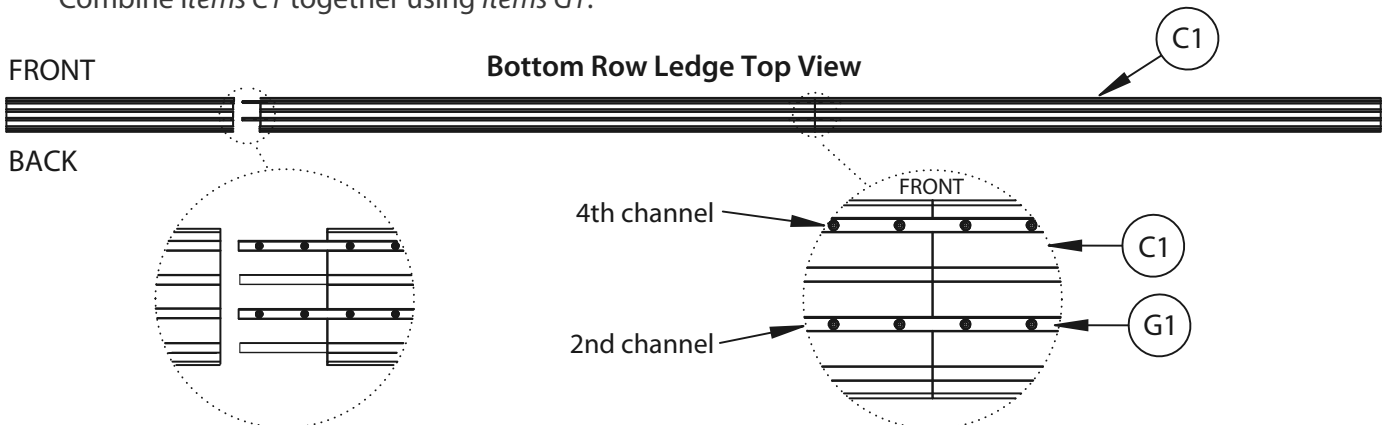
3. OPTIONAL EXTEND INTERFACE ARMS

Combine items *D1* together using items *G1*.
Repeat this procedure for items *D2/D3*.



4. OPTIONAL EXTEND BOTTOM ROW LEDGE

Combine items *C1* together using items *G1*.



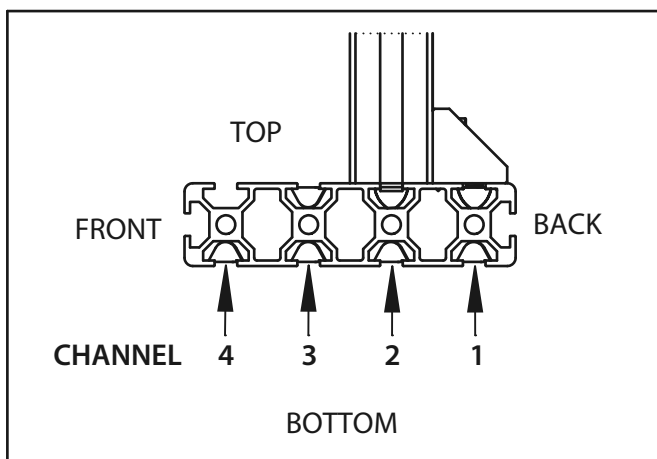
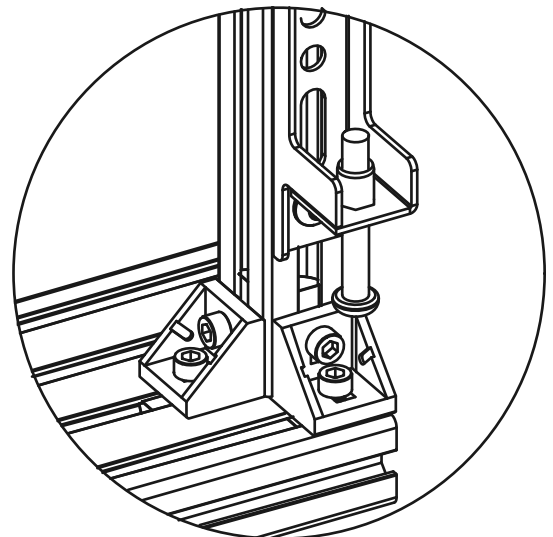
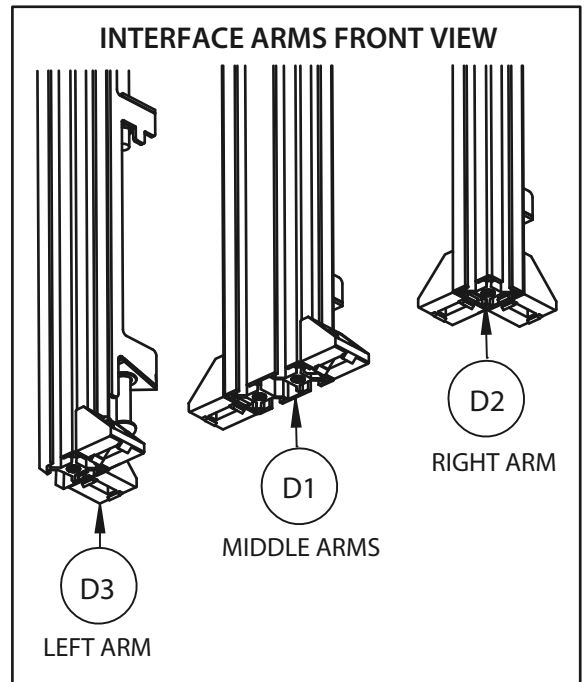
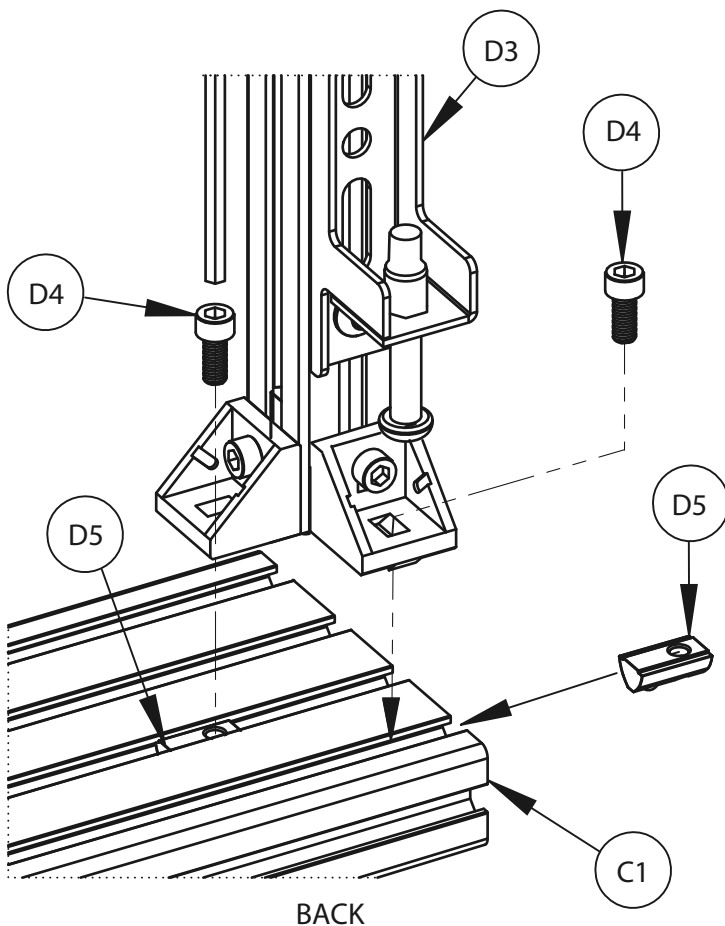
5. ATTACH VERTICAL INTERFACE ARMS TO BOTTOM ROW LEDGE

- i. Starting from the left of the bottom row ledge (*item C1*), insert 1 x *item D5* into the 1st channel and 1 x *item D5* into the 2nd channel.

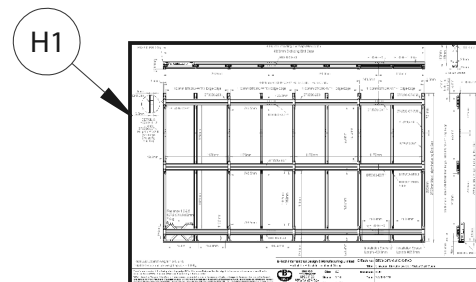
Position and fix in place *item D3* using *items D4 & D5*.

Important: Ensure the bottom row ledge is as perfectly horizontal as possible when attaching interface arms.

REAR VIEW OF LEFT ARM

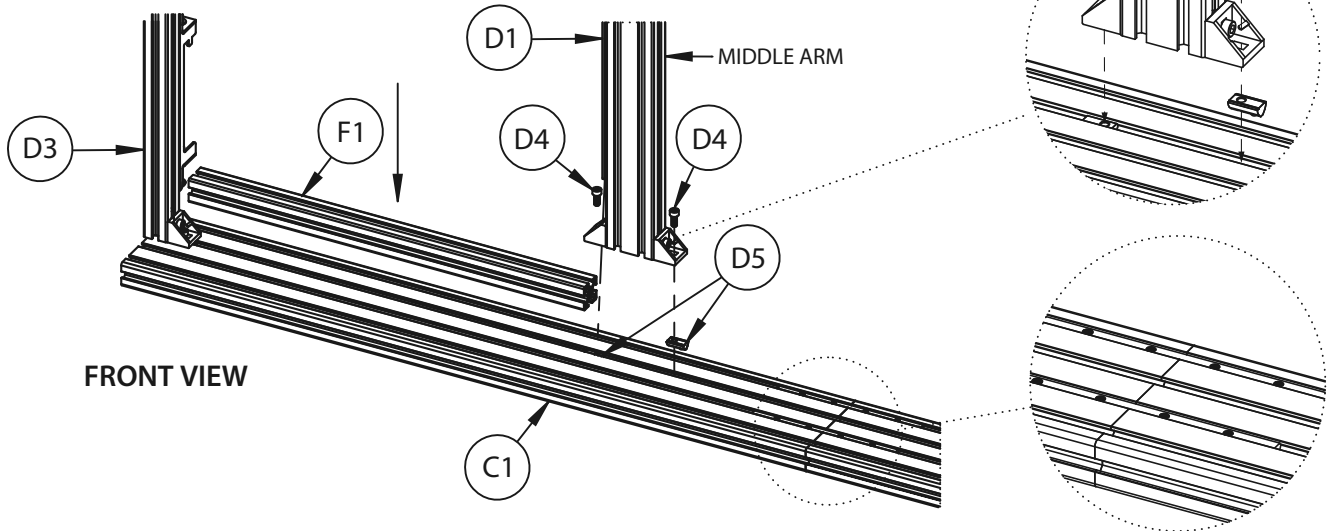


Note: Refer to installation drawing (*item H1*) for interface arms positioning.

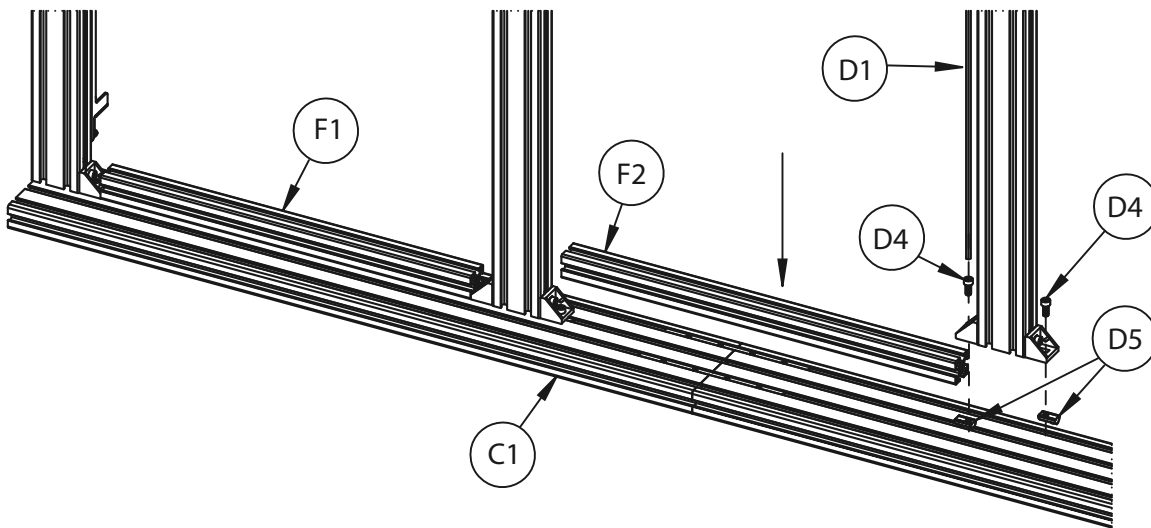


INSTALLATION DRAWING

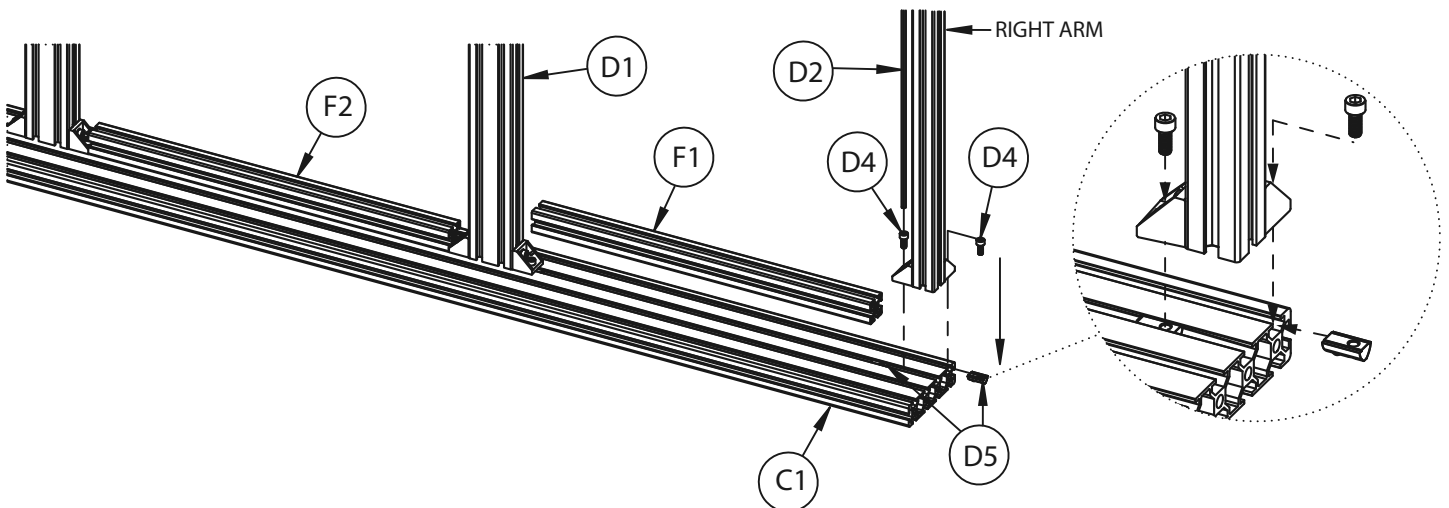
ii. Use *item F1* as a template to position the first middle arm (*item D1*). Insert 2x *item D5* into the 2nd channel of *item C1*. Secure *item D1* in place using *items D4 & D5*.



iii. Use *item F2* to position in place the second middle arm (*item D1*). Insert 2x *item D5* into the 2nd channel of *item C1*. Secure *item D1* in place using *items D4 & D5*. Repeat the above procedure for the remaining middle arms.

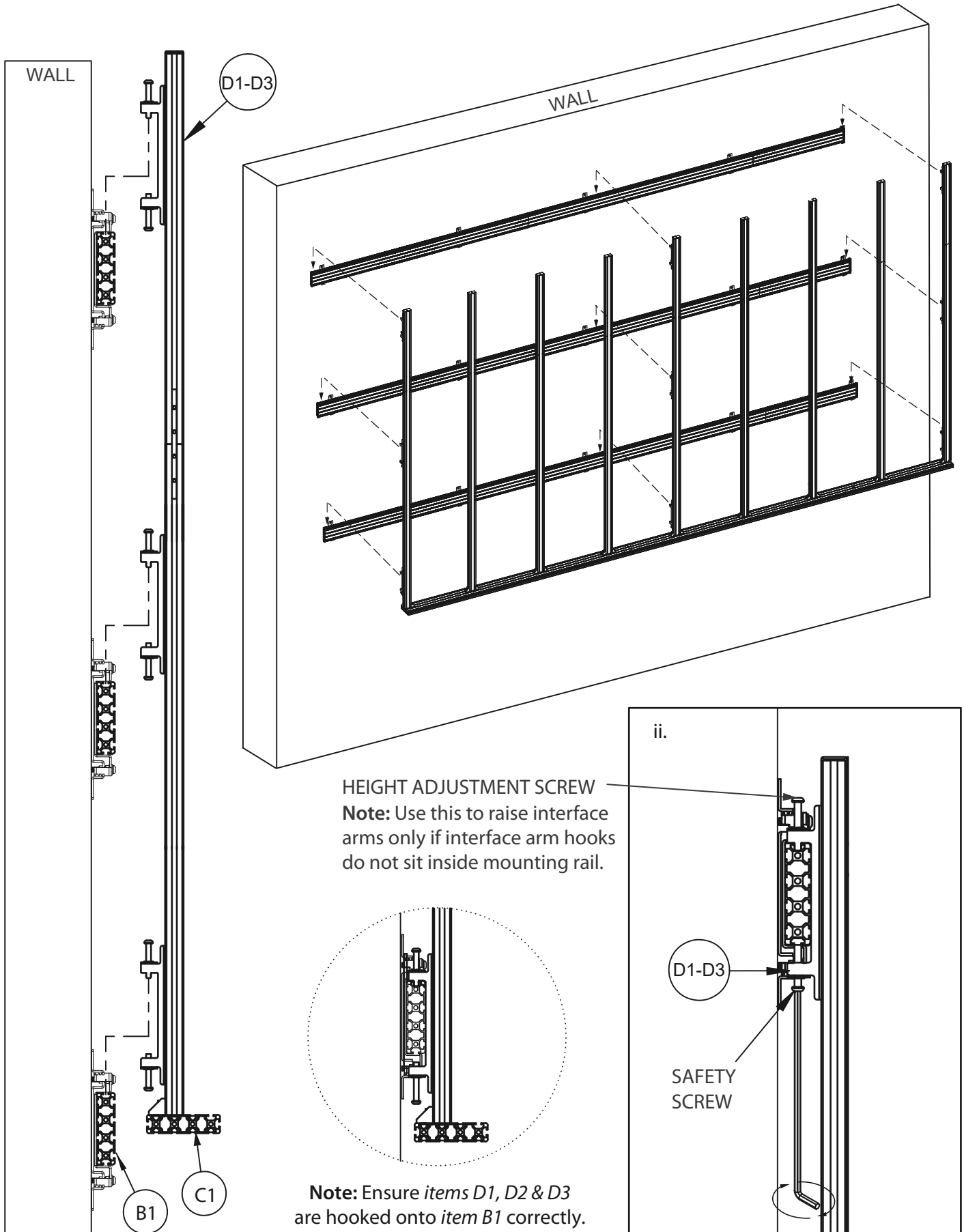


iv. Use *item F1* to position *item D2* (right arm). Insert 1x *item D5* into the 1st channel and 1x *item D5* into the 2nd channel on *item C1*, secure *item D2* in place using *items D4 & D5*.



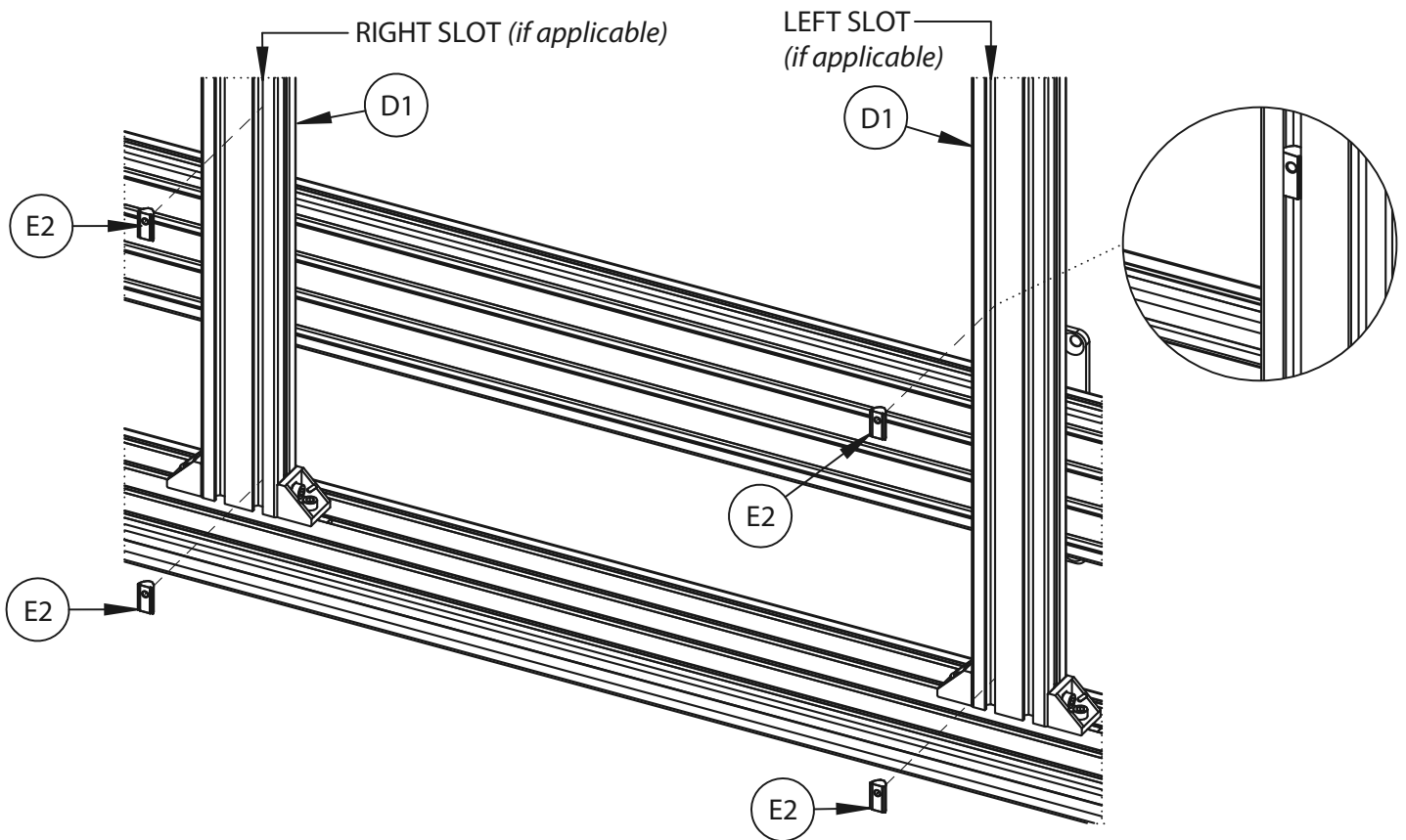
7. HOOK VERTICAL INTERFACE ARMS ONTO THE MOUNTING RAILS

- i. Hook items *D1, D2, D3* & *C1* onto items *B1*.
- ii. Semi-fix items *D1, D2* & *D3* on item *B1* by tightening the safety screws on the bottom of the hook arms. Do not fully tighten until dvLED cabinets have been mounted.

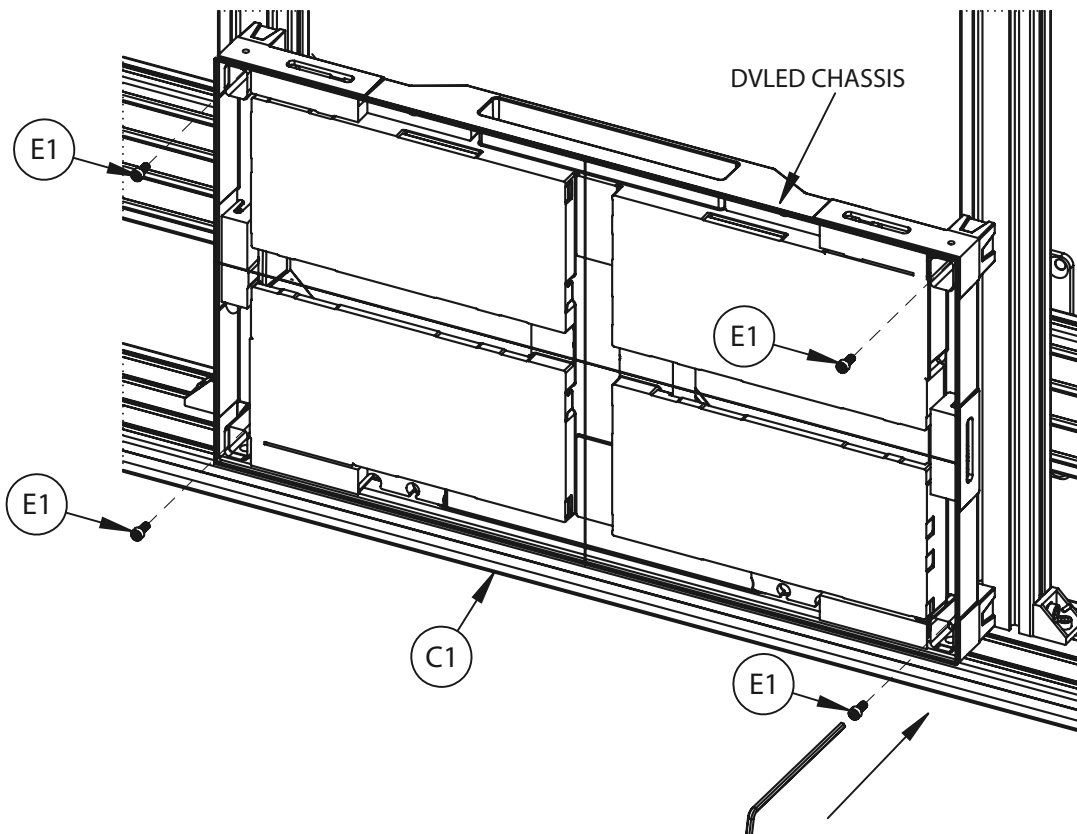


7. MOUNT DVLED CABINETS ONTO INTERFACE ARMS

- i. Insert 2 x *items E2* into *item D1* right slot and 2 x *items E2* into *item D1* left slot, approximately, where the dvLED cabinet fixing holes will be located.

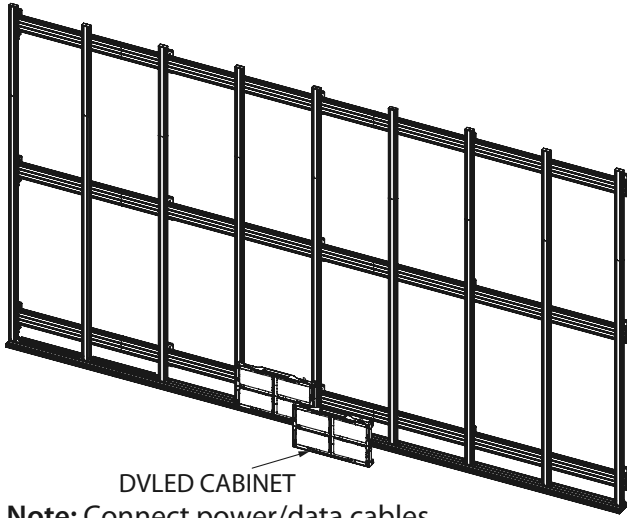


- ii. Place the correct sequence dvLED chassis centrally onto the bottom row ledge (*item C1*) (remove front dvLED modules from chassis if installed).
- iii. Screw *item E1* into *item E2* to semi-secure the dvLED chassis to *item D1*.



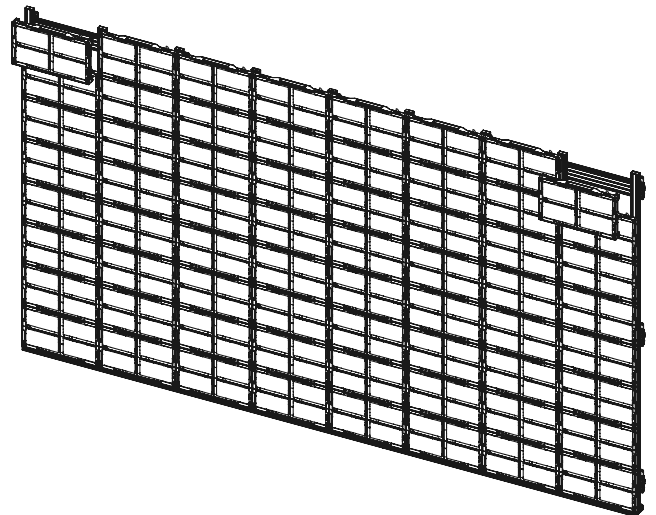
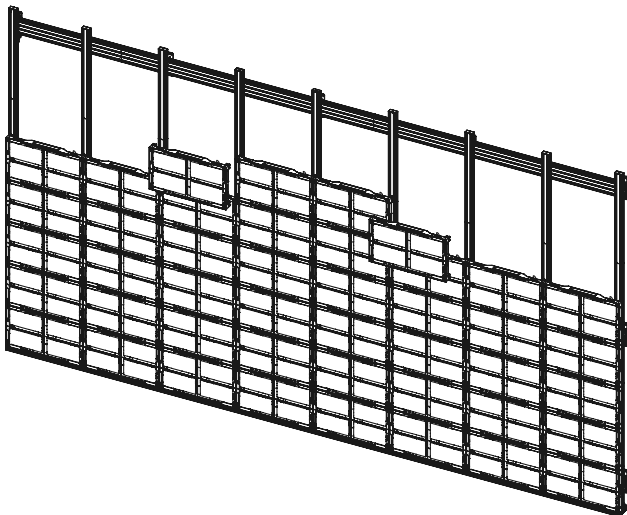
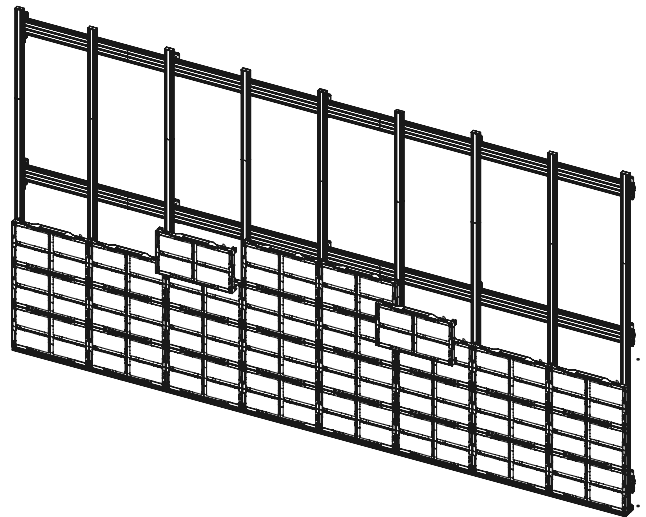
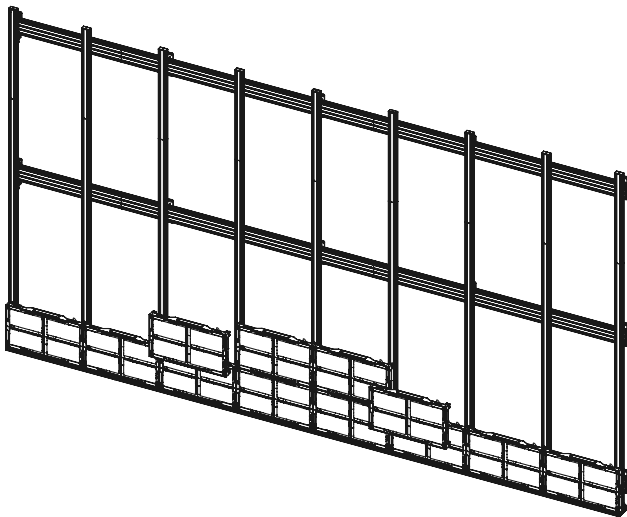
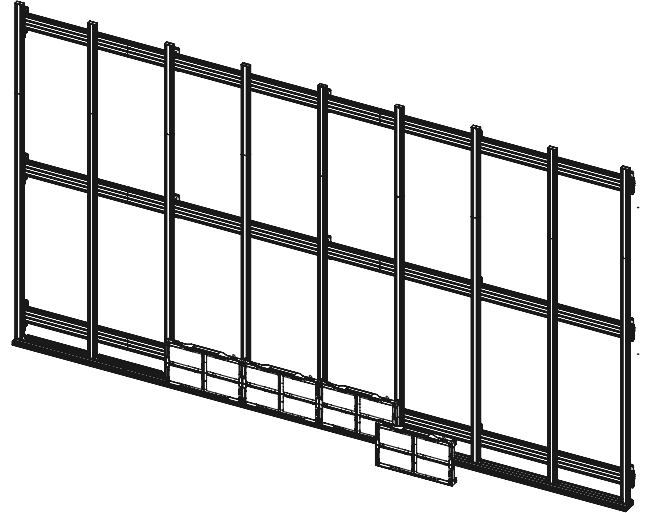
- iv. Repeat the previous steps to mount each dvLED chassis until the desired width is achieved.
- v. Fully tighten all *items E1*.
- vi. Repeat the previous steps to mount the next row of dvLED chassis, until the desired height is achieved.

Note: Refer to the dvLED cabinet manufacturer's manual on how to fix the cabinets together and how to connect the power/data cables.



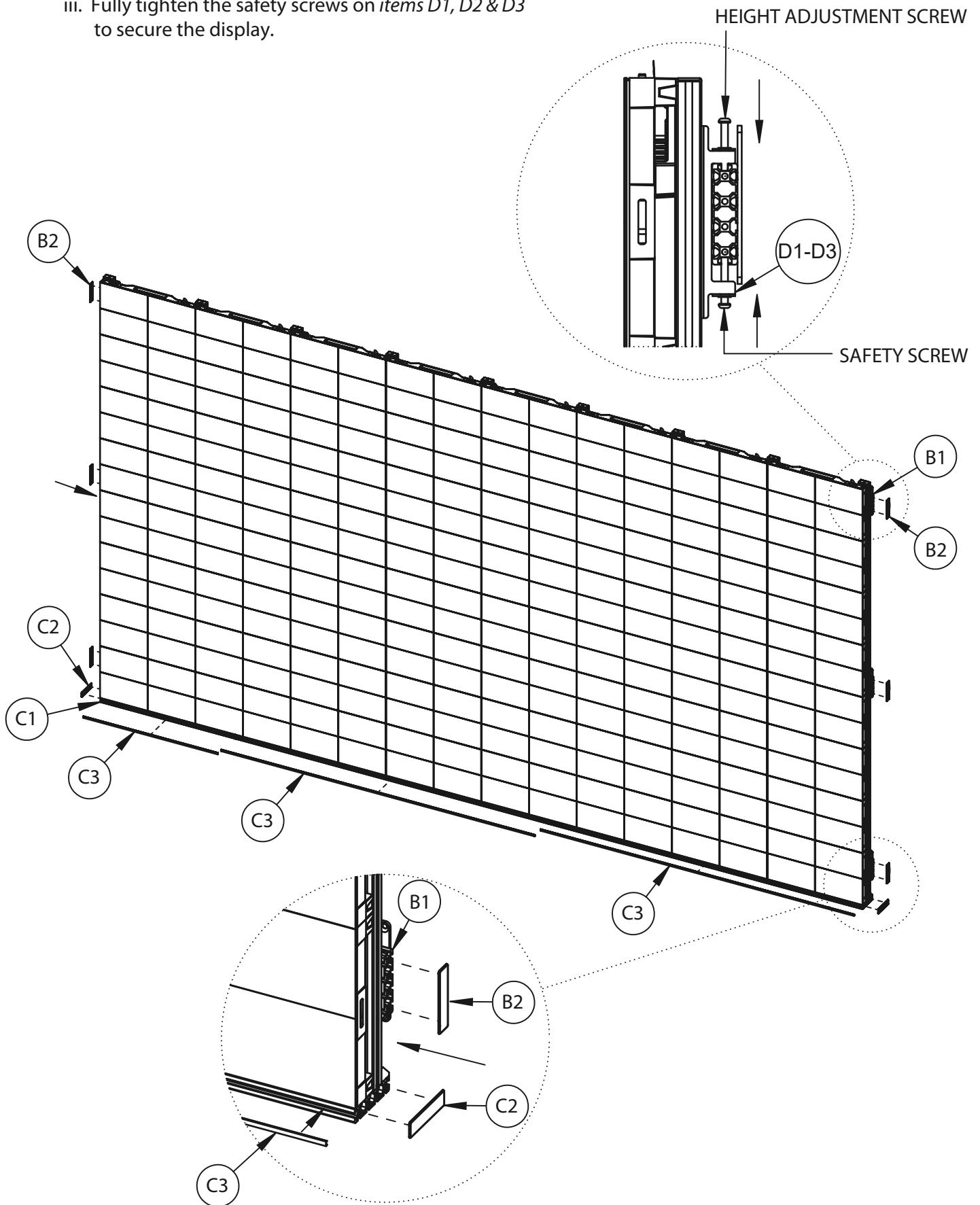
DVLED CABINET

Note: Connect power/data cables during dvLED chassis mounting.



8. ADD END CAPS AND TIGHTEN SAFETY SCREWS

- i. Once all the power/data cables are connected and the DVLED modules are mounted onto the dvLED chassis, clip *items B2* onto the end of *items B1*.
- ii. With a knife, cut to length 1x *items C3* and insert all into the front of *item C1* and add *item C2* to end of the ledge.
- iii. Fully tighten the safety screws on *items D1, D2 & D3* to secure the display.





CONTACT:

info@btechavmounts.com

©2021B-Tech International Design and Manufacturing Ltd. All rights reserved.

B-Tech AV Mounts is a division of B-Tech International Design and Manufacturing Ltd.

B-Tech AV Mounts and the B-Tech logo are registered trade marks.

All other brands and product names are trademarks of their respective owners.

Photographs are for illustrative purposes only. E&OE.

AMA-BT9340-V1.2-0821-BTECH MADE IN THE UK

