



B-TECH AV MOUNTS™

FOR TWO
 SCREENS
 UP TO 38"

BT85 10

TWIN SCREEN VC DISPLAY TROLLEY

The BT8510 is the ideal mobile video conferencing solution for twin screens up to 38". The trolley is supplied with a shelf for VC cameras which gives the user the flexibility to mount their camera either above or below the screens and integrated cable management keeps finished installations neat and tidy. Non-marking braked castors allow the trolley to be relocated easily and safely without marking floor surfaces and optional screw-in levelling feet are also included for freestanding applications if mobility is not required.

SPECIFICATION

Recommended screen size	32" to 38"
Max load	35kg (per screen)
VESA® and non-VESA fixings	up to 200 x 200mm
Dimensions	W: 1400mm H: 1691mm D: 769mm
Colour option (Ø60mm poles)	Black or Chrome

FEATURES

- Universal design suitable for mounting two small - medium sized screens side-by-side
- High-end aesthetic quality
- Includes VC shelf which can be fixed above or below the screens
- Features non-marking 4" locking/braked castors
- Also supplied with adjustable levelling feet
- Arms feature levelling screws to adjust the screen height
- Accessories such as shelves can be fitted to the poles using Ø60mm collars
- Integrated cable management for a neat and tidy installation
- Safety screws help prevent unauthorised screen removal
- Simple 'hook-on' screen installation



32"-38" VESA 200 35KG PER SCREEN

SYSTEM X™ POLES



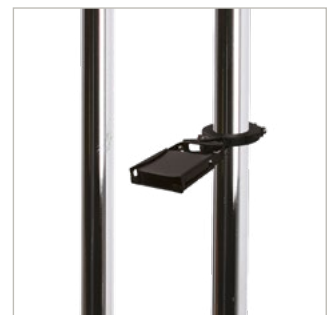
Simple 'hook-on' installation



VC shelf can mount camera above or below the screens

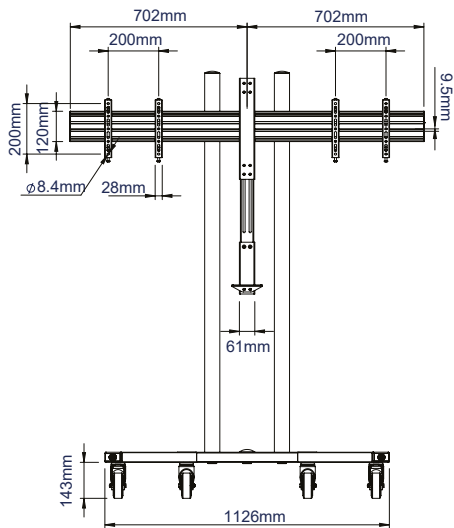


Includes non-marking 4" locking/braked castors

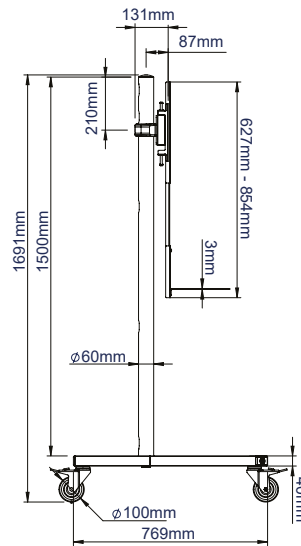


Collar compatible accessories can be fitted to the poles

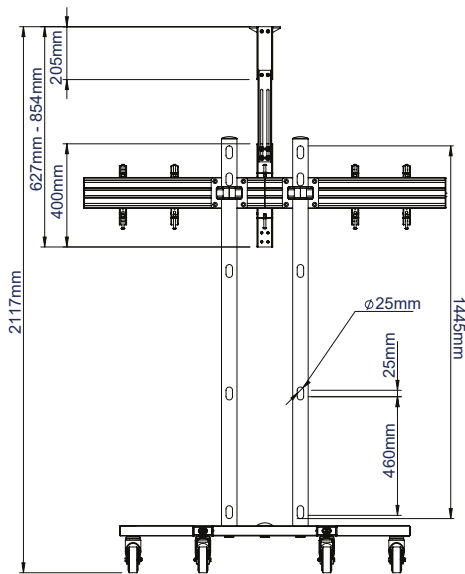




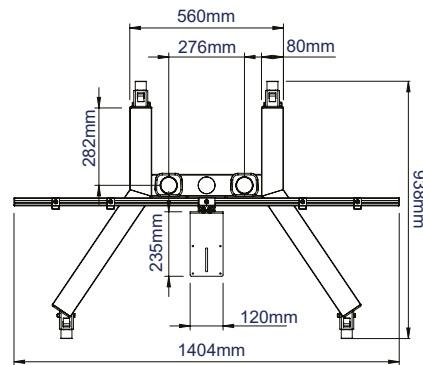
FRONT VIEW



SIDE VIEW



REAR VIEW



TOP VIEW

PACKING INFORMATION

PLEASE NOTE, THIS IS A 3 BOX ITEM.

COLOUR:	ORDER REF:	EAN CODE:	CARTON QTY:	CARTON WEIGHT:	CARTON CUBE:
Black Base & Black Poles	BT8510/BB	5019318089152	3	12kg / 9kg / 18kg	0.07cbm / 0.02cbm / 0.09cbm
Black Base & Chrome Poles	BT8510/BC	5019318089213	3	12kg / 9kg / 18kg	0.07cbm / 0.02cbm / 0.09cbm

ACCESSORIES AND RELATED PRODUCTS



BT7032
Large AV Accessory Shelf is ideal for adding AV accessories such as a Blu-Ray player or laptop to an installation



BT7882
AV Storage Cradle for securing 1U, 2U and 3U rack units



BT7880
Apple TV Mount allows you to mount the latest Apple TV to your VC stand



BT8511
Twin Screen VC Trolley with VC Camera Shelf for screens up to 46"

© 2019 B-Tech Av Mounts Professional Design & Manufacturing Ltd. All rights reserved.
The information in this specification sheet reflects the current technical specifications at the time of print.
We reserve the right to change the technical or physical specifications without prior notice. This is a technical drawing and not a photograph.
It is the responsibility of the user to ensure that the information provided in this specification sheet is used in accordance with the relevant safety and regulatory requirements.
B-Tech Av Mounts Professional Design & Manufacturing Ltd. is not responsible for any damage caused by misuse or modification of the product.
All specifications are subject to change without notice. For more information please contact B-Tech Av Mounts Professional Design & Manufacturing Ltd. 01203 616100.
SS-V2-BT8510-180719