



BT8428

BACK-TO-BACK UNIVERSAL FLAT SCREEN CEILING MOUNT WITH TILT

CHOICE OF
FIVE POLE
LENGTHS

Designed to ceiling mount two screens in a back-to-back configuration, the BT8428 is available in a choice of FIVE different drop lengths; 1m, 1.5m, 2m and 3m. The mount uses B-Tech's unique 'Torsion-Tilt' mechanism for easy tilt up to +/-15°. Levelling screws are included on the interface arms to finely adjust the screen height and locking screws help prevent unauthorised removal of the screen.

SPECIFICATION

| | |
|--|---------------------------------------|
| Recommended screen size | up to 65" |
| Max load | 50kg per screen |
| VESA® & non-VESA fixings | up to 468 x 400mm |
| VESA® compatibility (with included adaptors) | up to 600 x 400 |
| Ceiling drop | 460mm, 960mm, 1460mm, 1960mm, 2960mm* |
| Tilt (at screen) | up to +/-15° |
| Tilt (at ceiling) | up to +90° |
| Colour option (Ø50mm pole) | Black, White or Chrome |

*From the ceiling to the centre of the mount

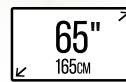
FEATURES

- Mounts two screens back-to-back
- Ceiling bracket can be tilted for mounting on angled ceilings
- Unique 'Torsion-tilt' mechanism for tool-less screen tilt adjustment
- Suitable for landscape or portrait mounting
- Lateral adjustment of screen once mounted
- Arms feature levelling screws to adjust the screen height
- Security screws help prevent unauthorised removal of screens
- Poles are supplied with safety bolt and grub screws for a secure installation
- Integrated cable management
- Simple 'hook-on' installation with all mounting hardware included

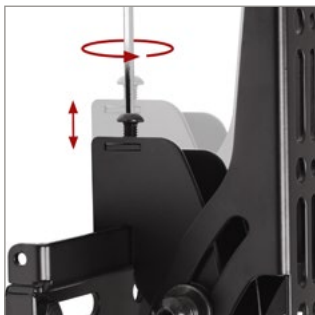


Available in 5 pole lengths

| | |
|------------|-----------|
| BT8428-050 | 0.5m Pole |
| BT8428-100 | 1m Pole |
| BT8428-150 | 1.5m Pole |
| BT8428-200 | 2m Pole |
| BT8428-300 | 3m Pole |



PER SCREEN



Levelling screws allow adjustment of the screen height once mounted



Security locking screws and Allen key provide a secure installation

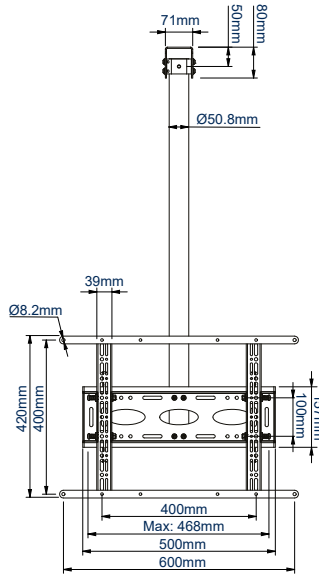


Ceiling bracket can be tilted for mounting on angled ceilings

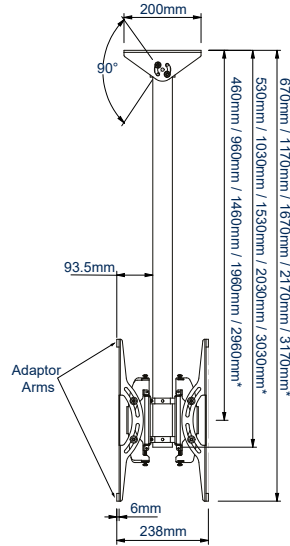


Maximum VESA fixing can be increased to 600mm using the included adaptor arms

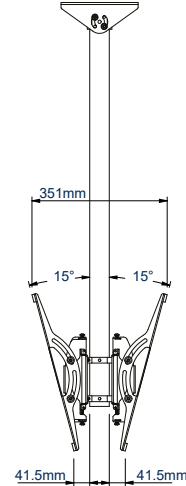
*Length shown using a 0.5m / 1m / 1.5m / 2m / 3m extension pole



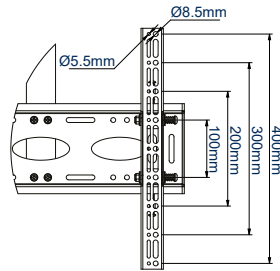
FRONT VIEW WITH ADAPTOR ARMS



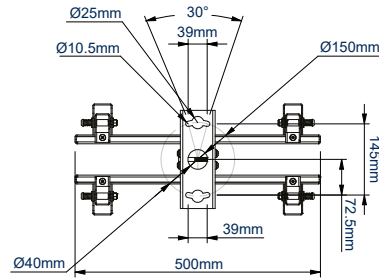
SIDE VIEW INTERFACE FLAT



SIDE VIEW INTERFACE TILT DOWN



INTERFACE ARM CLOSE UP VIEW



TOP VIEW

PACKING INFORMATION

ORIGINAL DESIGN BY B-TECH - REGISTERED COMMUNITY DESIGN NO.: 004038040-0021 / -0044

| COLOUR: | ORDER REF: | EAN CODE: | MASTER CARTON QTY: | INNER CARTON QTY: | MASTER CARTON WEIGHT: | MASTER CARTON CUBE: |
|-----------------------|--------------|---------------|--------------------|-------------------|-----------------------|---------------------|
| Black w/ Black Poles | BT8428-050/B | 5019318302466 | 1 / 1 | 0 / 0 | 13kg | 0.03cbm |
| Black w/ Chrome Poles | BT8428-050/C | 5019318302473 | 1 / 1 | 0 / 0 | 13kg | 0.03cbm |
| Black w/ White Poles | BT8428-050/W | 5019318302480 | 1 / 1 | 0 / 0 | 13kg | 0.03cbm |
| Black w/ Black Poles | BT8428-100/B | 5019318551413 | 1 / 1 | 0 / 0 | 12.09kg / 1.93kg | 0.041cbm / 0.003cbm |
| Black w/ Chrome Poles | BT8428-100/C | 5019318551512 | 1 / 1 | 0 / 0 | 12.09kg / 1.93kg | 0.041cbm / 0.003cbm |
| Black w/ White Poles | BT8428-100/W | 5019318302497 | 1 / 1 | 0 / 0 | 12.09kg / 1.93kg | 0.041cbm / 0.003cbm |
| Black w/ Black Poles | BT8428-150/B | 5019318551420 | 1 / 1 | 0 / 0 | 12.09kg / 3.09kg | 0.041cbm / 0.005cbm |
| Black w/ Chrome Poles | BT8428-150/C | 5019318551529 | 1 / 1 | 0 / 0 | 12.09kg / 2.89kg | 0.041cbm / 0.005cbm |
| Black w/ White Poles | BT8428-150/W | 5019318302503 | 1 / 1 | 0 / 0 | 12.09kg / 2.89kg | 0.041cbm / 0.005cbm |
| Black w/ Black Poles | BT8428-200/B | 5019318551437 | 1 / 1 | 0 / 0 | 12.09kg / 3.83kg | 0.041cbm / 0.007cbm |
| Black w/ Chrome Poles | BT8428-200/C | 5019318551536 | 1 / 1 | 0 / 0 | 12.09kg / 4.1kg | 0.041cbm / 0.007cbm |
| Black w/ Black Poles | BT8428-300/B | 5019318501807 | 1 / 1 | 0 / 0 | 12.09kg / 5.79kg | 0.041cbm / 0.010cbm |
| Black w/ Chrome Poles | BT8428-300/C | 5019318501814 | 1 / 1 | 0 / 0 | 12.09kg / 5.84kg | 0.041cbm / 0.010cbm |

RELATED PRODUCTS



BT8424
Universal Flat Screen Ceiling Mount with Tilt for screens up to 65"



BT8426
Flat Screen Ceiling Mount with Adjustable drop and tilt for screens up to 65"



BT8448
Extra-Large Flat Screen Ceiling Mount for screens over 65"



BT8552
Back-To-Back Flat Screen Display Stand for screens from 39" up to 65"

© 2016 B-Tech Av Mounts. All rights reserved. The information in this specification is subject to change without notice. B-Tech Av Mounts and the B-Tech logo are registered trademarks of B-Tech International Design & Manufacturing Ltd. B-Tech Av Mounts is a registered trademark of B-Tech International Design & Manufacturing Ltd. All other trademarks are the property of their respective owners. B-Tech Av Mounts is not responsible for any damage caused by improper installation or use. Any reproduction or transmission of any part of this specification is strictly prohibited unless prior written permission has been granted by B-Tech International Design & Manufacturing Ltd. (B-Tech).

SS-V5.1-BT8428-190919