



BT8424

FLAT SCREEN CEILING MOUNT WITH TILT INSTALLATION GUIDE & PARTS LIST

This Pack Contains 1 Ceiling Mount

PLEASE KEEP THIS FOR FUTURE REFERENCE



FEATURES

- Designed for screens up to 65" (165cm) / 50kg
- Suitable for screens with mounting patterns up to VESA® 600 x 400mm
- Unique 'Torsion Tilt' adjustment: +/-15°
- Can mount a screen in landscape or portrait orientation
- Integrated cable management
- Post installation screen alignment
- Height adjusting levelling screws for perfect screen positioning
- Safety screws help prevent unauthorised removal of screen
- Cover plate supplied for a smart installation
- All mounting hardware and fixings included



CONTENTS

Installation Safety Notes.....	2
Parts List.....	4
Installations Instructions.....	6
Product Dimensions.....	11
B-Tech Contact Details.....	12

TOOLS REQUIRED

13mm (1/2")
spanner or socket



Crosshead
screwdriver



Drill



10mm (7/16")
masonry bit or
6mm (1/4") wood bit



Pencil



B-TECH AUDIO VIDEO MOUNTS

www.btechavmounts.com

INSTALLATION SAFETY INSTRUCTIONS



CAUTION: This mount is intended for use only with the maximum weights indicated. Use with flat screens heavier than the maximum indicated may result in instability causing possible injury.

Do not attempt to install this product until all instructions and warnings have been read and properly understood. Please keep these instructions for future reference. Please check carefully to make sure there are no missing or defective parts - defective parts must never be used. B-Tech International Design and Manufacturing Limited, its distributors and dealers are not liable or responsible for damage or injury caused by improper installation, improper use or failure to observe these safety instructions. In such cases, all guarantees will expire.

General

B-Tech International Design and Manufacturing Limited recommends that a professional AV installer or other suitably qualified person install this product. Great care must always be taken during installation as most AV equipment is of a fragile nature, possibly heavy and easily damaged if dropped. If you do not fully understand the instructions or are not sure how to install this product safely, then please consult a professional for advice and/or to install this product for you. Failure to mount this product correctly may cause serious injury or death both during installation and at any time thereafter. Do not mount any AV equipment that exceeds the specific weight limit of the product you are installing. This weight limit will be clearly stated on each product and its packaging and will vary from product to product.

Product location

Please pay careful attention to where this product is located. Check load capacity of ceiling prior to installation as some ceilings are not suitable for installation. Designed for indoor use, this mount is suitable for public or home installation. If located in a public or frequently populated area ensure that the product is out of the immediate reach of people. If any AV equipment is to be suspended over the likely path or location of people then great care should be taken to secure all parts of the installation from falling. If you install this product on drywall it must be securely fixed to a wooden stud, concrete block or other permanent structure behind the drywall board. Installing on drywall boards alone will not support the weight of most AV equipment. When drilling holes in ceilings it is essential to avoid contact with electrical cables and water or gas pipes contained within. Use of a good quality live wire detector and hidden object locator is therefore recommended. Only drill into structures when you are sure it is safe to do so.

Fixing hardware

It is highly recommended that all wall fixing screws be used where supplied and that the purpose of all other fixing hardware is fully understood. In some cases more AV equipment fixing hardware will be supplied to accommodate different models of equipment and set up configurations. The installer must be satisfied that any supplied fixing hardware is suitable for each specific installation. If any fixing screws or included hardware are deemed not sufficient for a safe installation then please consult a professional or your local hardware store.

Hazard limitation

When routing cables take advantage of any built in cable management features that the product might provide and ensure that all cables are tidy and secure. Check to see that any moving aspect of the product can do so unhindered by any cabling. Some products have moving parts and the potential to cause injury through the crushing or trapping of fingers or other body parts. Particular attention to the nature of moving parts is required especially when assembling installing and adjusting during set up. Immediately after installations double-check that the work done is safe and secure. Double-check all necessary fixings are present and are of ample tightness. It is recommended that periodic inspections of the product and its fixing points are made as frequently as possible to ensure that safety is maintained. If in doubt consult a professional AV installer or other suitably qualified person.

CS

Společnost B-Tech International Design And Manufacturing Ltd. doporučuje provést instalaci tohoto produktu instalátora AV či jinak způsobilé osoby. Společnost B-Tech International Design And Manufacturing Ltd, její distributoři a prodejci nenesou prostřednictvím odborného odpov. édnost za škody nebo zranění způsobená nevhodnou instalací. Tento výrobek je nutno umístit do vhodné konstrukce a používat jen po uvedené maximální výšce.

DE

B-Tech International Design And Manufacturing Ltd. empfiehlt, dass dieses Produkt durch einen qualifizierten AV-Techniker oder eine andere Person mit geeigneter Qualifikation installiert wird. B-Tech International Design And Manufacturing Ltd, ihre Distributoren und Händler können nicht für durch fehlerhafte Montage verursachte Beschädigung oder Verletzung haftbar bzw. verantwortlich gemacht werden. Dieses Produkt muss auf eine geeignetem Untergrund montiert werden und darf nur bis zum angegebenen Höchstgewicht verwendet werden.

ES

B-Tech International Design And Manufacturing Ltd. recomienda que un instalador de audio y video profesional u otra persona debidamente cualificada instalen este producto. B-Tech International Design And Manufacturing Ltd, sus distribuidores y concesionarios no se hacen cargo ni se responsabilizan de ningún daño o lesión provocados por una instalación inapropiada. Este producto se debe montar en una estructura adecuada y se debe utilizar soportando solamente hasta el peso máximo indicado.

FR

B-Tech International Design And Manufacturing Ltd. recommande de confier l'installation de ce produit à un installateur AV professionnel ou à une autre personne dûment qualifiée. B-Tech International Design And Manufacturing Ltd, ses distributeurs et ses revendeurs ne sauraient être tenus responsables de tout dégât ou de toute blessure résultant d'une installation incorrecte. Ce produit doit être monté sur un support approprié et utilisé dans la limite du poids maximum indiqué.

IT

B-Tech International Design And Manufacturing Ltd. consiglia di affidare l'installazione di questo prodotto a un installatore specializzato o ad altra persona adeguatamente qualificata. B-Tech International Design And Manufacturing Ltd, i suoi distributori e rivenditori non accettano alcuna responsabilità nei riguardi di eventuali danni o infortuni causati da un'errata installazione. Questo prodotto deve essere fissato a una struttura idonea e utilizzato unicamente sino al peso massimo indicato.

NL

B-Tech International Design And Manufacturing Ltd. adviseert om dit product te laten installeren door een professionele AV-instalateur of andere hiervoor gekwalificeerde persoon. B-Tech International Design And Manufacturing Ltd, haar distributeurs en dealers zijn niet aansprakelijk of verantwoordelijk voor schade of letsel die is veroorzaakt door onoordeelkundige installatie. Dit product moet worden gemonteerd aan een geschikte constructie, waarbij het aangegeven maximum gewicht niet mag worden overschreden.

PL

Firma B-Tech International Design And Manufacturing Ltd. zaleca, aby ten produkt był instalowany przez profesjonalnych instalatorów AV lub inny odpowiednio przeszkolony personel. Firma B-Tech International Design And Manufacturing Ltd, jej dystrybutorzy i dealerzy nie ponoszą odpowiedzialności za uszkodzenia lub obrażenia ciała powstałe w wyniku nieprawidłowej instalacji. Niniejszy produkt musi być zamontowany na odpowiedniej powierzchni, a podczas u żytkowania nie wolno przekraczać podanego maksymalnego obciążenia.

PT

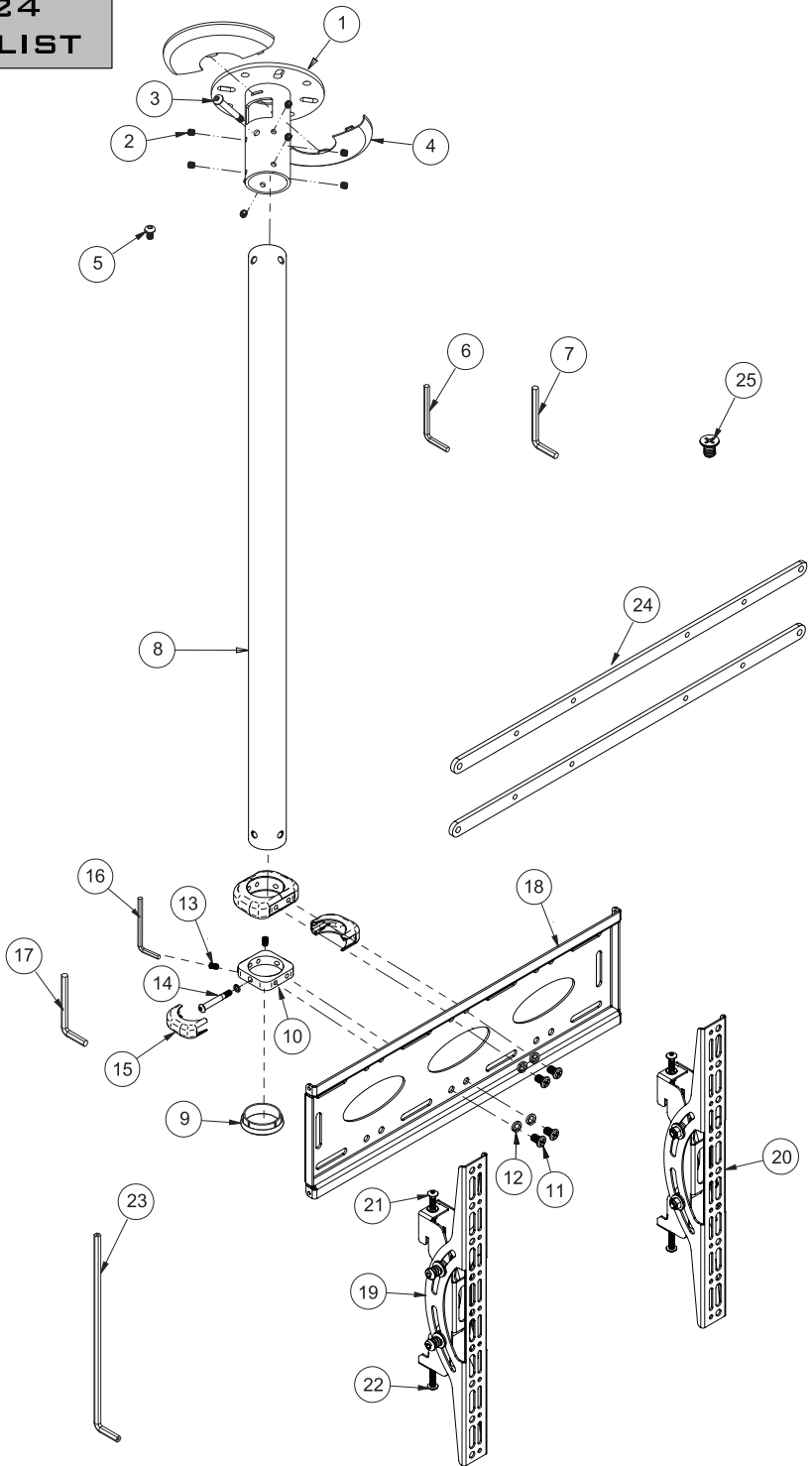
A B-Tech International Design And Manufacturing Ltd. recomenda que a instalação deste produto seja efectuada por um instalador de AV instalador de AV profissional ou outra pessoa devidamente habilitada. A B-Tech International Design And Manufacturing Ltd. e os seus distribuidores e concessionários não são responsáveis por danos ou lesões causados por uma instalação incorrecta. Este produto tem de ser montado numa estrutura adequada e utilizado somente até ao peso máximo indicado.

RU

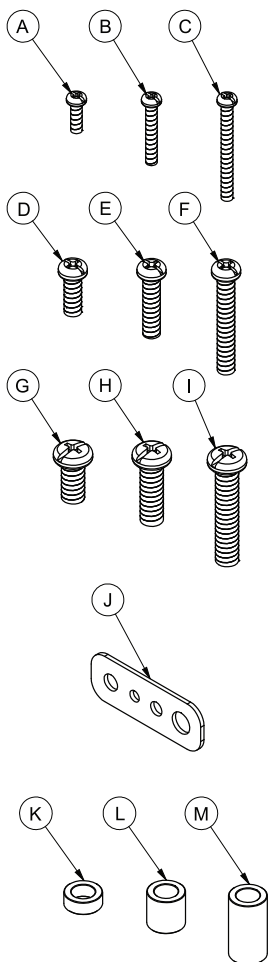
Компания B-Tech International Design And Manufacturing Ltd. рекомендует, чтобы установка данного изделия производилась инженером по установке аудио-видеотехники или другим специалистом с соответствующей квалификацией. Компания B-Tech International Design And Manufacturing Ltd. ее дистрибьюторы и дилеры не несут ответственности за повреждения или травмы, полученные в результате неправильной установки. Данное изделие должно

توصي بي- تك للتجارة الدولية المحدودة بأن شخص محترف في تركيب ال AV او شخص مؤهل تأهيلا مناسباً لتركيبة هذا المنتج. بي- تك للتجارة الدولية، موز عليها والتجار ليست عرضة أو مسؤولة عن الأضرار أو الإصابات الناجمة عن تركيب غير سليم، والاستخدام غير السليم أو عدم مراعاة هذه التعليمات للسلامة. يجب أن يتم تركيب هذا المنتج في بنية مناسبة ويجب استخدام فقط لدعم الحد الأقصى للوزن المشار إليه.

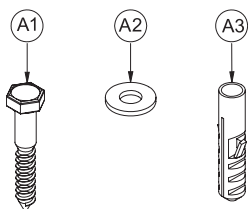
BT8424
PARTS LIST



FLAT SCREEN FIXING KIT
(for attaching mount to back of flat screen)



FIXING KIT
(for fixing mount to ceiling)

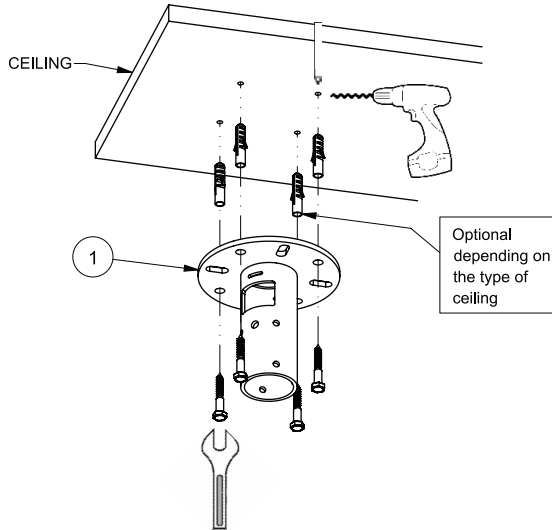


REF	PART NAME	QTY
BT7822		
1	CEILING PLATE	1
2	M8 x 8mm GRUB SCREW	8
3	M8 x 60mm HEX SOCKET SCREW	1
4	CEILING PLATE COVER HALF	2
5	M8 x 12mm SCREW	1
6	4mm HEX KEY	1
7	5mm HEX KEY	1
BT7850		
8	Ø50mm POLE	1
9	POLE END RING	1
BT7052		
10	COLLAR	2
11	M8 x 12mm SCREW	8
12	M8 SPRING WASHER	10
13	M8 x 15mm GRUB SCREW	4
14	M8 x 65mm SAFETY BOLT	2
15	COVERPLATE HALF	4
16	4mm HEX KEY	2
17	5mm HEX KEY	2
BT8431		
18	INTERFACE PLATE	1
19	INTERFACE ARM A	1
20	INTERFACE ARM B	1
21	LEVELLING SCREW	2
22	SECURITY SCREW	2
23	4AF HEX KEY	1
BT7564		
24	600mm ADAPTOR ARM	2
25	M6 x 12mm SCREW	4
INTERFACE KIT		
A	M4 x 12mm SCREW	4
B	M4 x 25mm SCREW	4
C	M4 x 40mm SCREW	4
D	M6 x 16mm SCREW	4
E	M6 x 25mm SCREW	4
F	M6 x 40mm SCREW	4
G	M8 x 16mm SCREW	4
H	M8 x 25mm SCREW	4
I	M8 x 40mm SCREW	4
J	MULTI WASHER	4
K	5mm SPACER	4
L	13mm SPACER	4
M	24mm SPACER	4
FIXING KIT (ONLY 4 REQUIRED TO FIX TO CEILING)		
A1	M8 x 50mm COACH SCREW	6
A2	M8 METAL WASHER	6
A3	N°.10 WALL PLUG	6

INSTALLATION INSTRUCTIONS

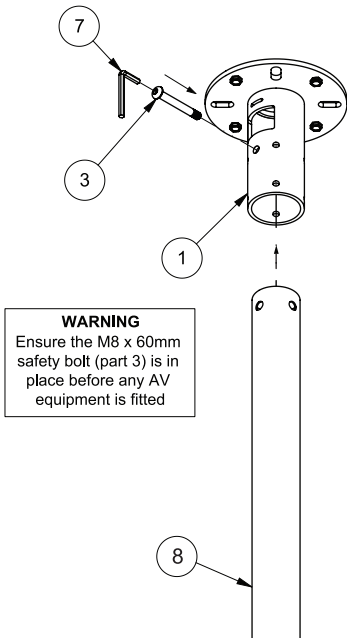
1

Fix the ceiling plate (part 1) to the ceiling.



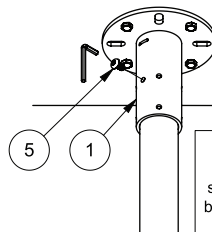
2

Insert the pole (part 8) into the ceiling plate (part 1) and secure in place using the M8 x 60mm screw (part 3).



OPTIONAL

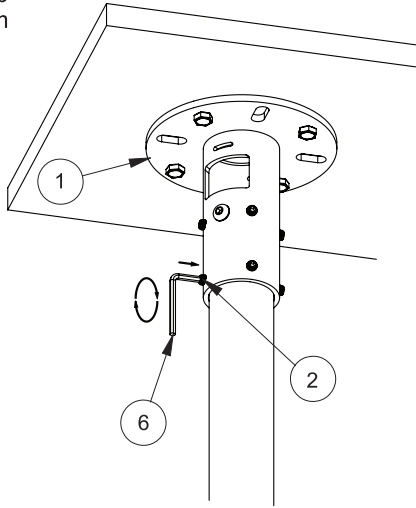
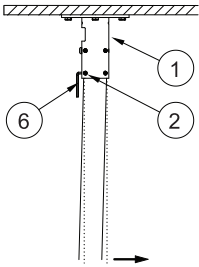
M8 x 60mm screw (part 3) can be replaced with M8 x 12mm screw (part 5) to prevent cables being obstructed.



3

Tighten the M8 x 8mm grub screws (part 2) using the 4mm hex key (part 6).

The angle of the pole can be adjusted using the grub screws (part 2) provided and the 4mm hex key (part 6).

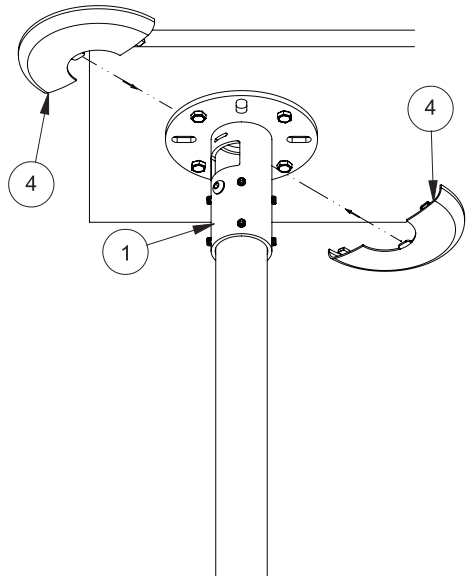
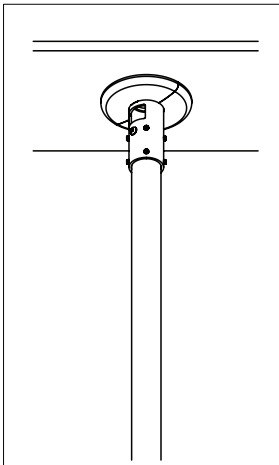


WARNING

Ensure the M8 x 60mm screw (part 3) or the M8 x 12mm screw (part 5) is in place before any AV equipment is fitted

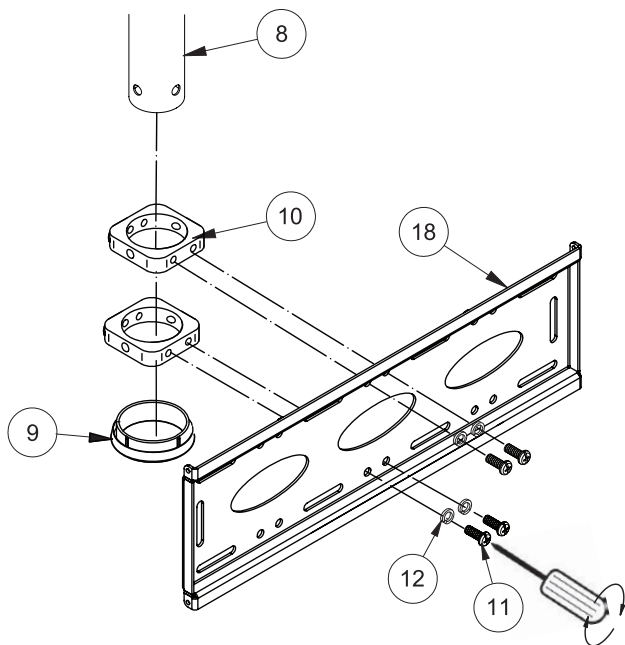
4

Attach ceiling plate covers (part 4) together around the mount (part 1).

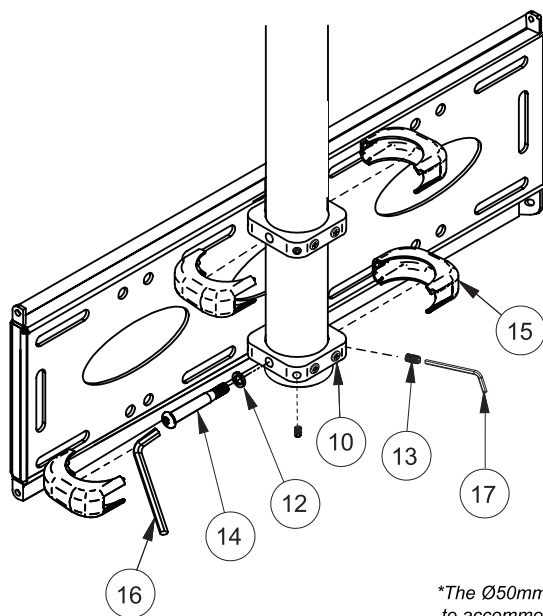


5

i. Attach interface plate (part 18) to collars (parts 10) and slide onto pole (part 8).



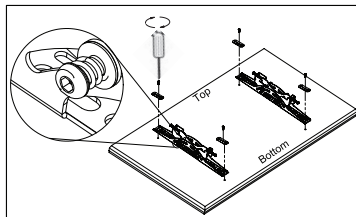
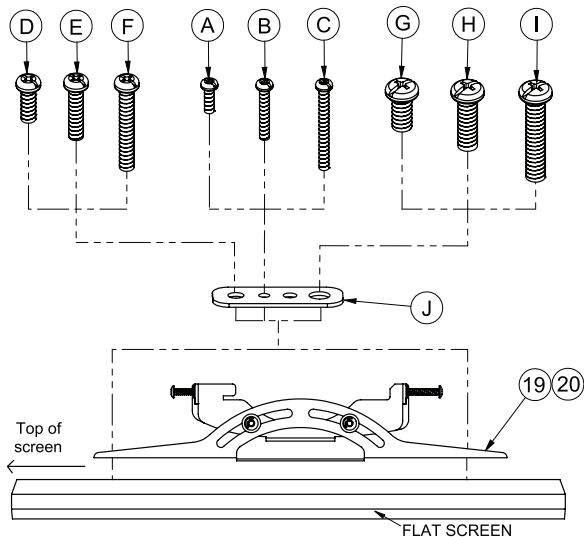
ii. Once positioned on pole, tighten grub screws (part 13) on collars and using the holes* on the pole, insert safety bolt through bottom collar before screen mounting. Once secured attach coverplates (part 15) to collars.



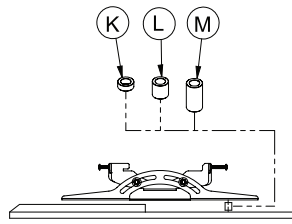
*The Ø50mm pole may also be drilled through to accommodate the safety screws.

6

Attach interface arms to the back of the flat screen using screen fixing kit. The interface arms (part 19 & 20) can mount screens with fixing patterns up to 400 x 400mm.

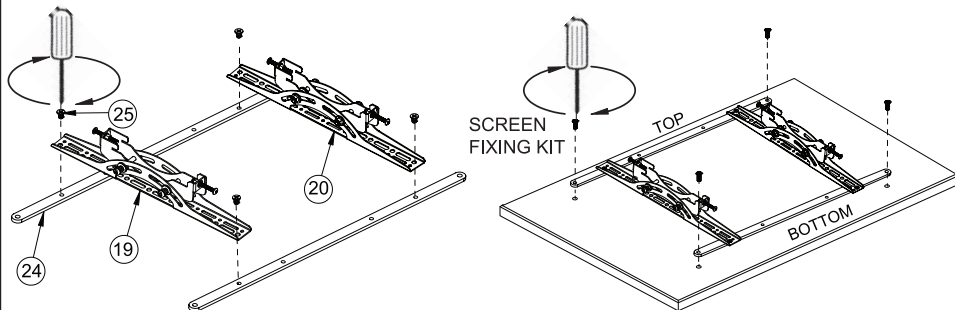


Use spacers for curved screens or screens with recessed fixings

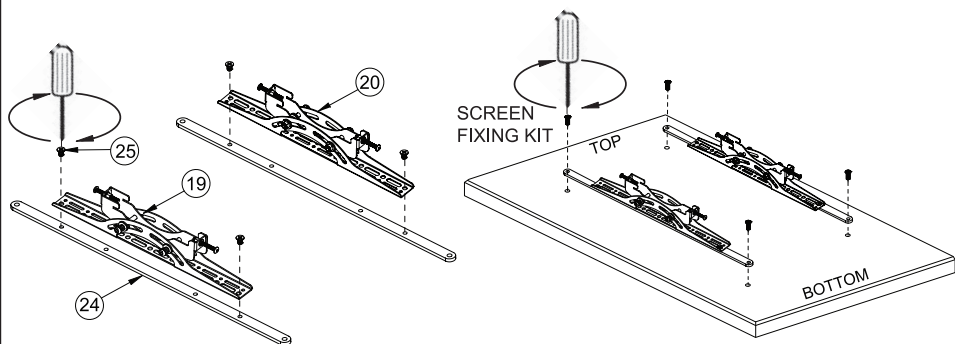


For screens with VESA 600 x 400mm fixings attach 600mm adaptor arms (part 24) onto interface arms (parts 19 & 20).

LANDSCAPE MOUNTING

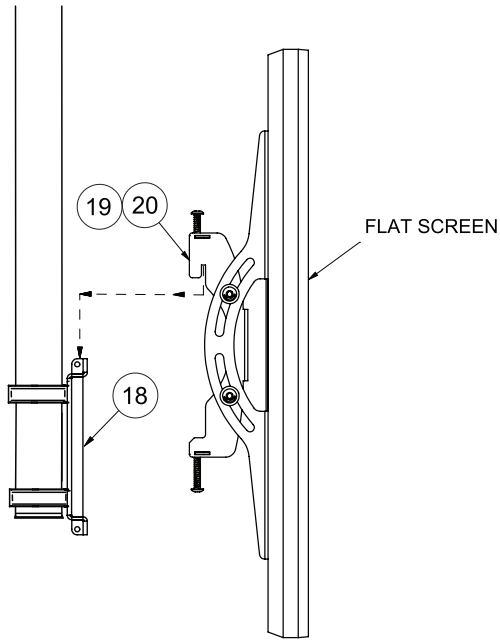


PORTRAIT MOUNTING

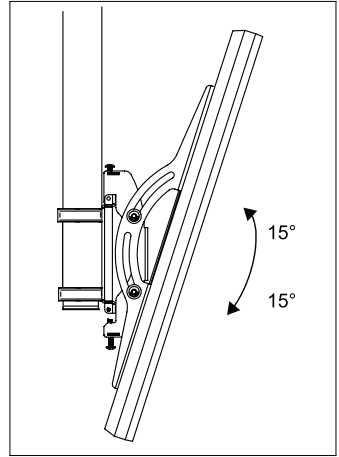
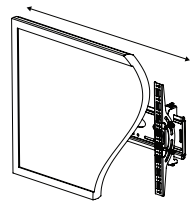


7

Hook flat screen onto pole mount (this may require 2 people).

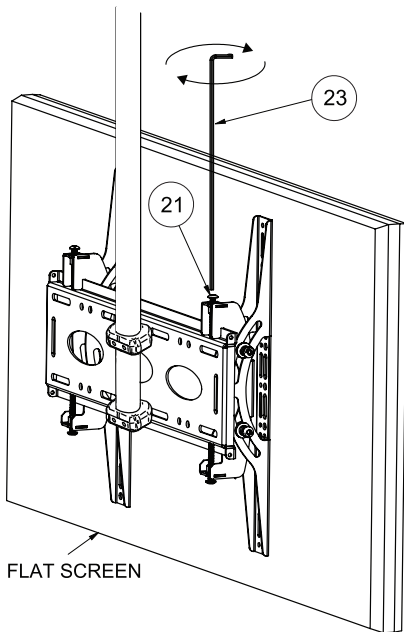


Lateral Adjustment



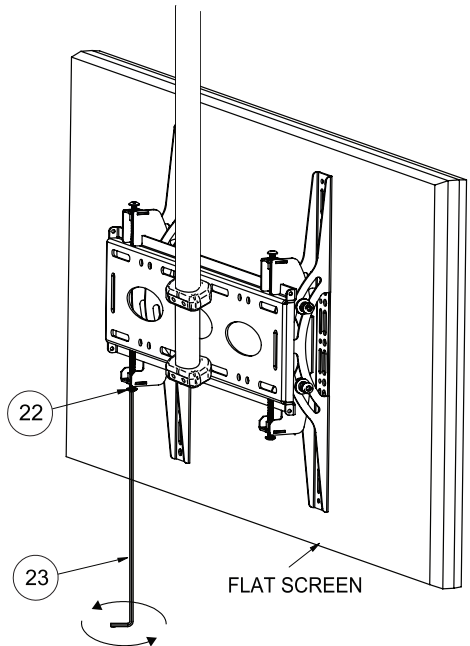
8

Optional - Screen levelling adjustment.

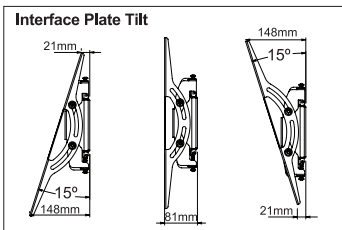
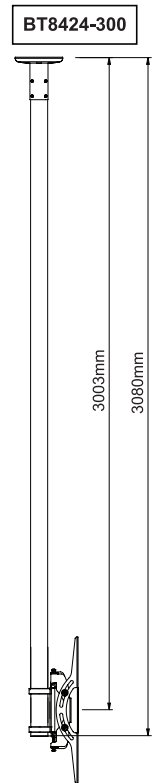
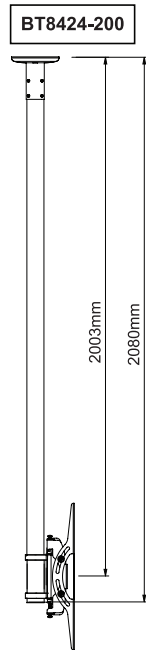
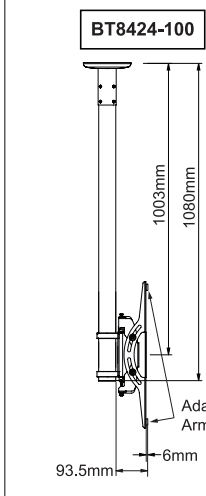
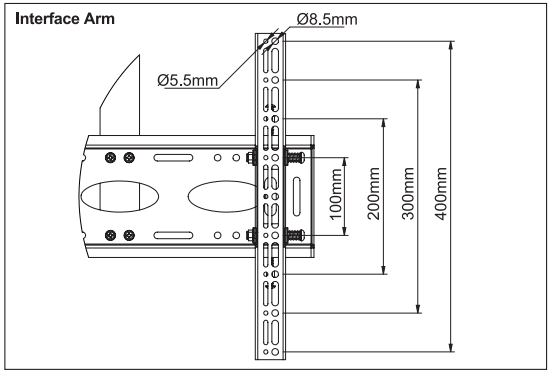
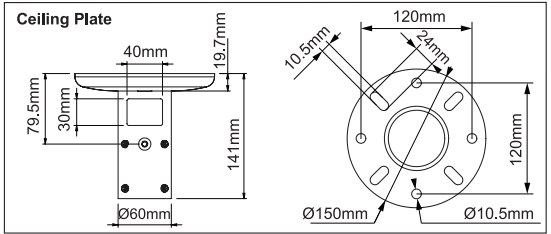
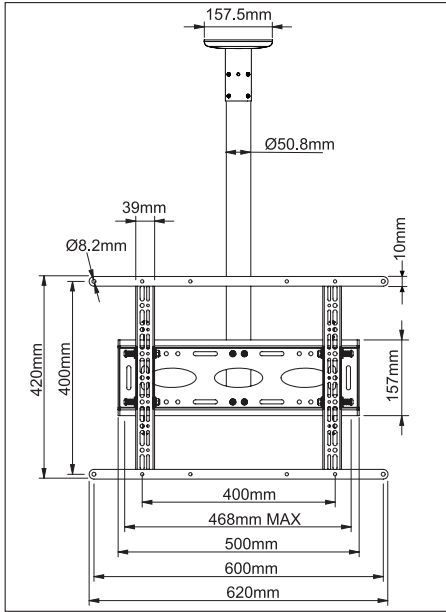


9

Secure interface arms to interface plate.



BT8424 PRODUCT DIMENSIONS



THESE INSTRUCTIONS ARE INTENDED AS A GUIDE ONLY AND B-TECH ACCEPTS NO LIABILITY FOR THE ACCURACY OF THE INFORMATION CONTAINED IN THIS DOCUMENT.



www.btechavmounts.com

B-TECH AUDIO VIDEO MOUNTS

HEAD OFFICE

B-Tech International Limited

Bennett House, Long March, Daventry, Northants., NN11 4NR, UK

Email: info@btechavmounts.com

©2017 B-Tech International Design and Manufacturing Limited. All rights reserved.

B-Tech Audio Video Mounts is a division of B-Tech International Design and Manufacturing Limited.

B-Tech & Better By Design are registered trademarks of B-Tech International Design and Manufacturing Limited.

All other brands and product names are trademarks of their respective owners.

Photographs are for illustrative purposes only. E&OE.