



IDEAL FOR
 MULTI-SCREEN
 INSTALLATIONS

BT8390-VESA400F SYSTEM X™ UNIVERSAL INTERFACE ARMS FOR MEDIUM / LARGE SCREENS



Ideal for single row, multi-screen installations, these interface arms are designed to mount small to medium sized screens in a fixed position along System X horizontal mounting rails. The universal design is compatible with a variety of different screens and allows them to be mounted in either landscape or portrait orientations. Levelling screws on each interface arm provides post installation height adjustment and a mounted depth of 48mm from the wall allows easy access for cables and connectors.

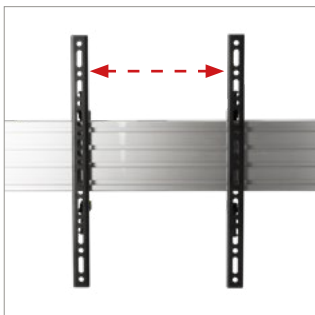
SPECIFICATION

Recommended screen size	39" - 70"
Max load	70kg
VESA® & non-VESA fixings	up to 400mm* (vertical dimension)
Depth (typical wall mounted install)	48mm

*The VESA specification of the BT8390-VESA400F refers to the **vertical dimension only**. All System X interface arms can be positioned as far along the rail as necessary.

FEATURES

- Ideal for menu boards and other multi-screen installations
- Universal design compatible with most screens
- Suitable for landscape or portrait mounting
- Lateral adjustment - position arms anywhere along the length of the rail
- Includes levelling screws to adjust the screen height
- Safety screws help prevent unauthorised removal of screens
- Simple 'hook-on' installation



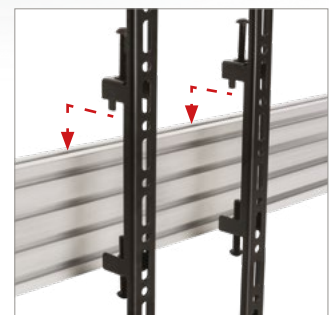
Position arms anywhere along the length of the rail



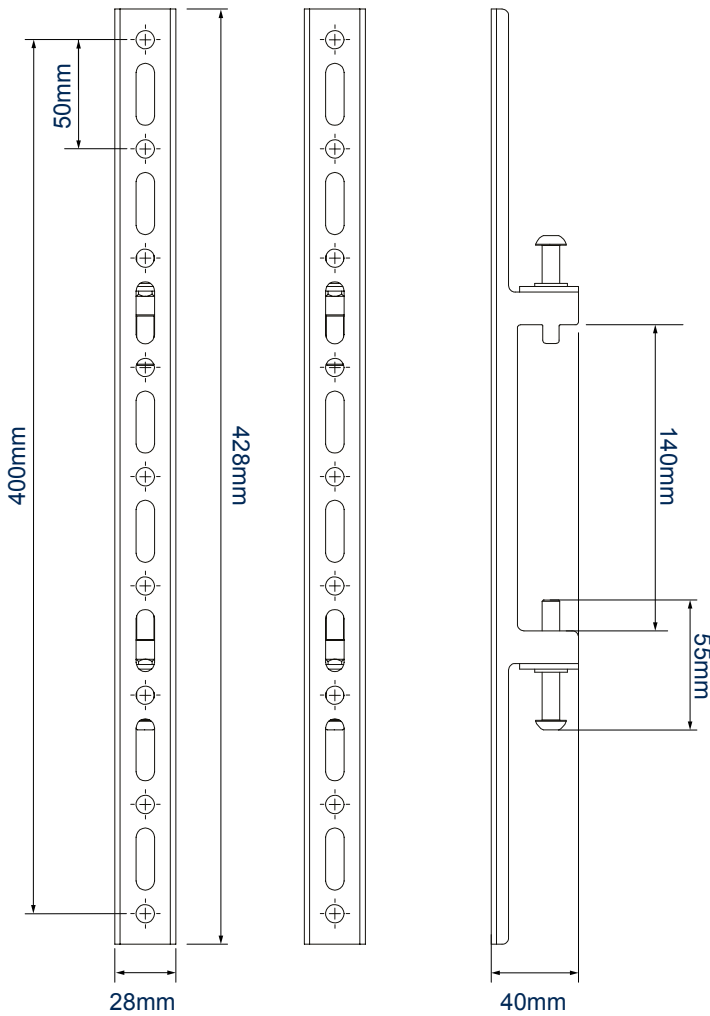
Arms feature levelling screws to adjust the screen height



Safety screws help prevent unauthorised removal of screens

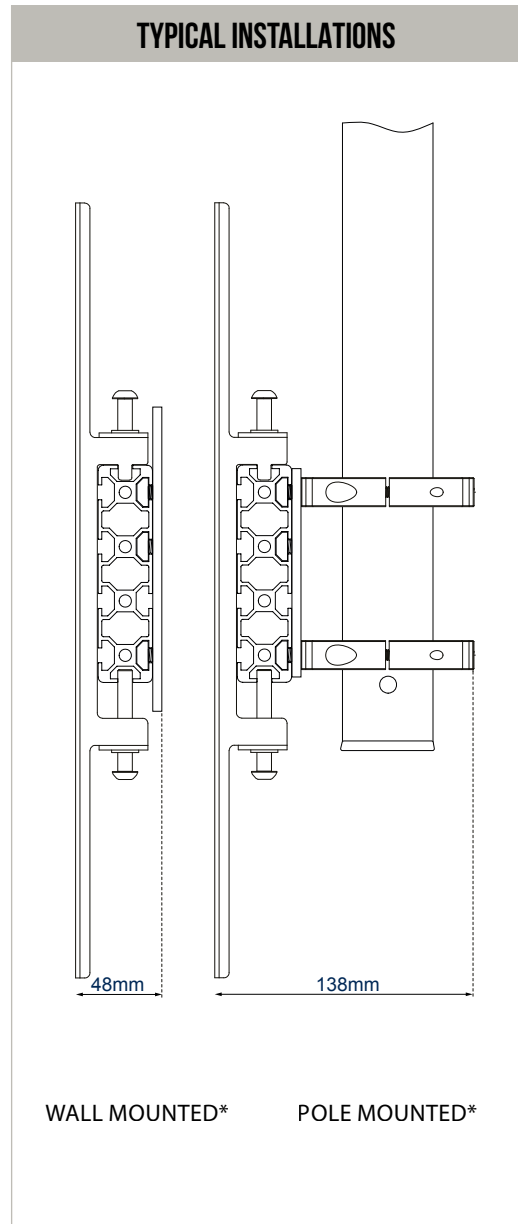


Simple 'hook-on' installation



FRONT VIEW

SIDE VIEW



WALL MOUNTED*

POLE MOUNTED*

PACKING INFORMATION

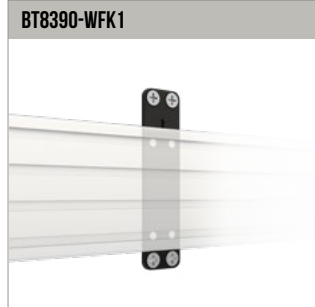
COLOUR:	ORDER REF:	EAN CODE:	MASTER CARTON QTY:	INNER CARTON QTY:	MASTER CARTON WEIGHT:	MASTER CARTON CUBE:
Black	BT8390-VESA400F/B	5019318501210	13	0	18kg	0.046cbm

*Please note all other components shown in the technical drawings are available separately.

ACCESSORIES AND RELATED PRODUCTS



BT7564
Interface Adaptor Arms for VESA 600 x 400 can be used with VESA 200 or 400 arms to increase the maximum vertical fixings to 600mm for larger screens



BT8390-WFK1
Wall Fixing Kits are used to fix mounting rails securely to the wall



BT8390-030/050/070/150/175/200
Mounting Rails can be attached to columns, walls or poles using System X components



BT8390-VESA400T
VESA 400 Interface Arms with Tilt mount medium - large sized screens to mounting rails, with a tilt range of up +20°

© 2019 B-Tech International Design & Manufacturing Ltd. All rights reserved. This information is provided for informational purposes only. It is not intended to be used as a substitute for professional advice. B-Tech International Design & Manufacturing Ltd. is not responsible for any damage or loss of data caused by the use of this information. B-Tech International Design & Manufacturing Ltd. is not responsible for any damage or loss of data caused by the use of this information. B-Tech International Design & Manufacturing Ltd. is not responsible for any damage or loss of data caused by the use of this information. European Trademark No.: 002741256-0025 SS-V2-BT8390-VESA400F-020819