



IDEAL FOR  
 MULTI-SCREEN  
 INSTALLATIONS

# BT8390-VESA200F SYSTEM X™ UNIVERSAL INTERFACE ARMS FOR SMALL / MEDIUM SCREENS



Ideal for single row, multi-screen installations, these interface arms are designed to mount small to medium sized screens in a fixed position along System X horizontal mounting rails. The universal design is compatible with a variety of different screens and allows them to be mounted in either landscape or portrait orientations. Levelling screws on each interface arm provides post installation height adjustment and a mounted depth of 48mm from the wall allows easy access for cables and connectors.

### SPECIFICATION

Recommended screen size	up to 47"
Max load	70kg
VESA® & non-VESA fixings	up to 200mm* (vertical dimension)
Depth (typical wall mounted install)	48mm
Supplied in pairs	

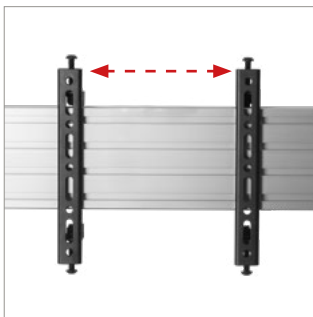
\*The VESA specification of the BT8390-VESA200F refers to the **vertical dimension only**. All System X interface arms can be positioned as far along the rail as necessary.

### FEATURES

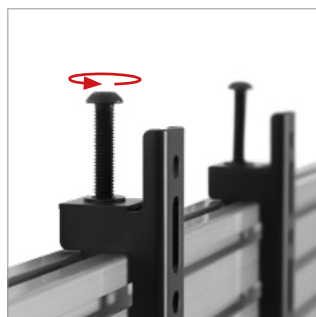
- Ideal for menu boards and other multi-screen installations
- Universal design compatible with most screens
- Suitable for landscape or portrait mounting
- Lateral adjustment - position arms anywhere along the length of the rail
- Includes levelling screws to adjust the screen height
- Safety screws help prevent unauthorised removal of screens
- Simple 'hook-on' installation



47" 120cm VESA 200 70KG SYSTEM X



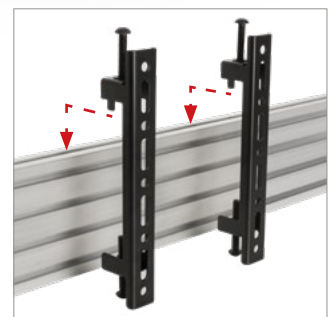
Position arms anywhere along the length of the rail



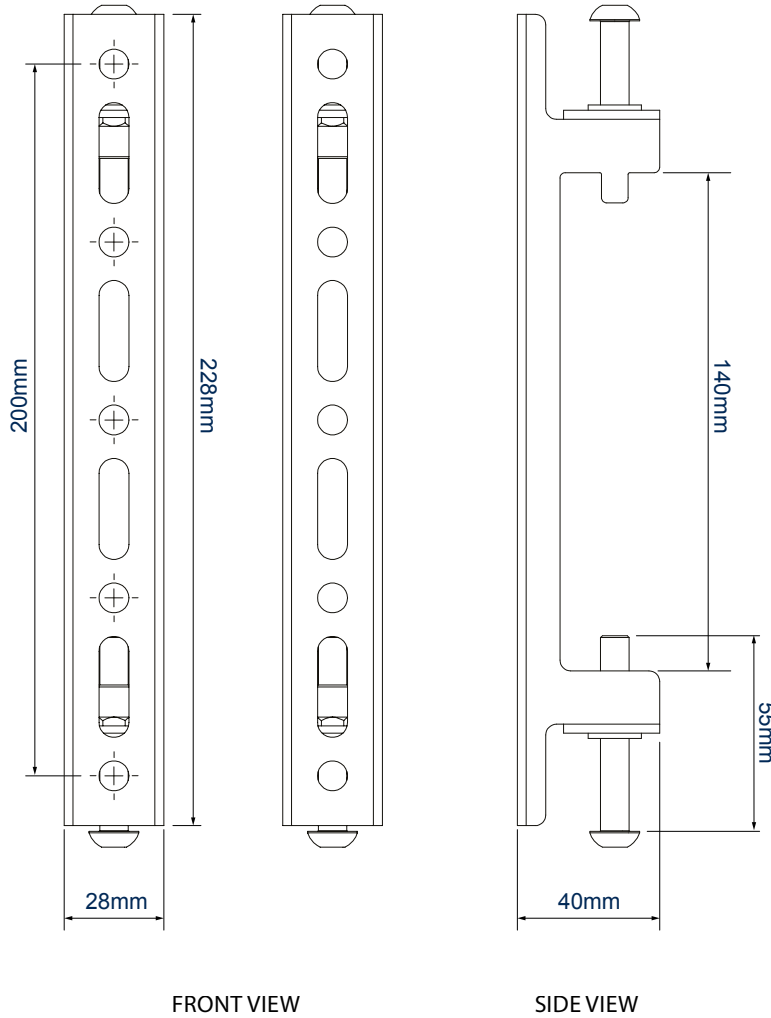
Arms feature levelling screws to adjust the screen height



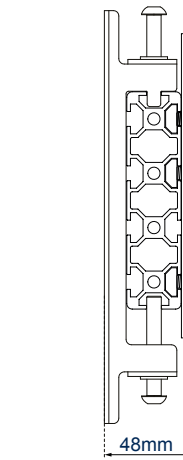
Safety screws help prevent unauthorised removal of screens



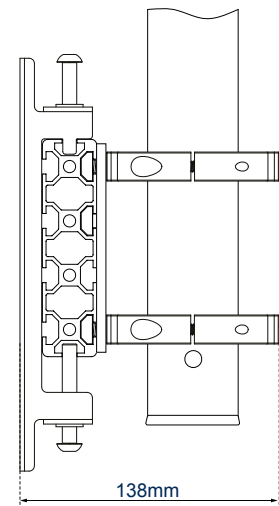
Simple 'hook-on' installation



TYPICAL INSTALLATIONS



WALL MOUNTED\*



POLE MOUNTED\*

\*Please note all other components shown in the technical drawings are available separately.

PACKING INFORMATION

COLOUR:	ORDER REF:	EAN CODE:	MASTER CARTON QTY:	INNER CARTON QTY:	MASTER CARTON WEIGHT:	MASTER CARTON CUBE:
Black	BT8390-VESA200F/B	5019318501203	13	0	15kg	0.065cbm

ACCESSORIES AND RELATED PRODUCTS

BT8390-WFK 1



Wall Fixing Kits are used to fix mounting rails securely to the wall

BT8390-030/050/070/150/175/200



Mounting Rails can be attached to columns, walls or poles using System X components

BT8390-EXT



Extension Kits combine mounting rails together to create longer installations

BT8390-VESA200T



VESA 200 Interface Arms with Tilt mount small - medium sized screens to mounting rails, with a tilt range of up to +20°

© 2019 B-Tech Av Mounts. All rights reserved. The information in this specification is for reference only. B-Tech Av Mounts is a registered trademark of B-Tech Av Mounts. All other trademarks are the property of their respective owners. B-Tech Av Mounts is not responsible for any damage caused by improper use, installation or modification of any part of the specification. B-Tech Av Mounts is not responsible for any damage caused by improper use, installation or modification of any part of the specification. B-Tech Av Mounts is not responsible for any damage caused by improper use, installation or modification of any part of the specification. European Trademark No.: Number: 002741256-0023