

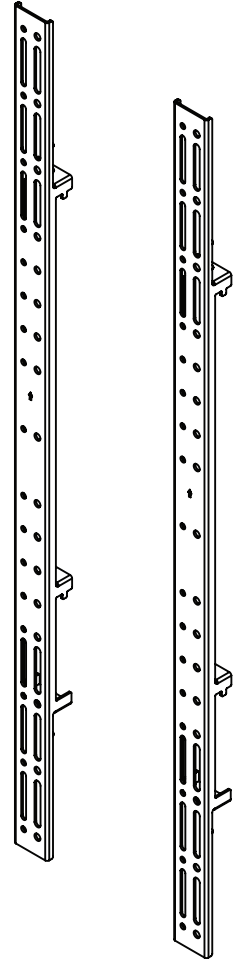


B-TECH AV MOUNTS™

## BT8390-VESA 1200F

UNIVERSAL INTERFACE ARMS  
FOR XXL SCREENS

## INSTALLATION INSTRUCTIONS



### SPECIFICATIONS

- Mounts on dual BT8390 horizontal mounting rails
- Recommended screen size (landscape) 90" and over
- Recommended screen size (portrait) 55" and over
- Max load (twin rail mounting): 200kg (440lbs)
- Suitable for screens with fixings up to 1200mm (vertical dimension)



# INSTALLATION SAFETY INSTRUCTIONS



**CAUTION:** This product is intended for use only with the maximum weights indicated. Use with equipment heavier than the maximum indicated may result in instability causing possible injury.

B-Tech AV Mounts, it's distributors and dealers are not responsible for damage or injury caused by improper installation, improper use, modifications, installations over the specified weight capacity and/or failure to observe these safety instructions. In such cases, any warranty will expire.

It is recommended that this product should only be installed by a qualified professional / installer.

B-Tech AV Mounts does not claim any liability for any difficulties that may arise from the interpretation contained in these instructions. Failure to mount this product correctly may lead to serious injury and/or death.

Please check carefully to make sure there are no missing or defective parts - defective parts must never be used.

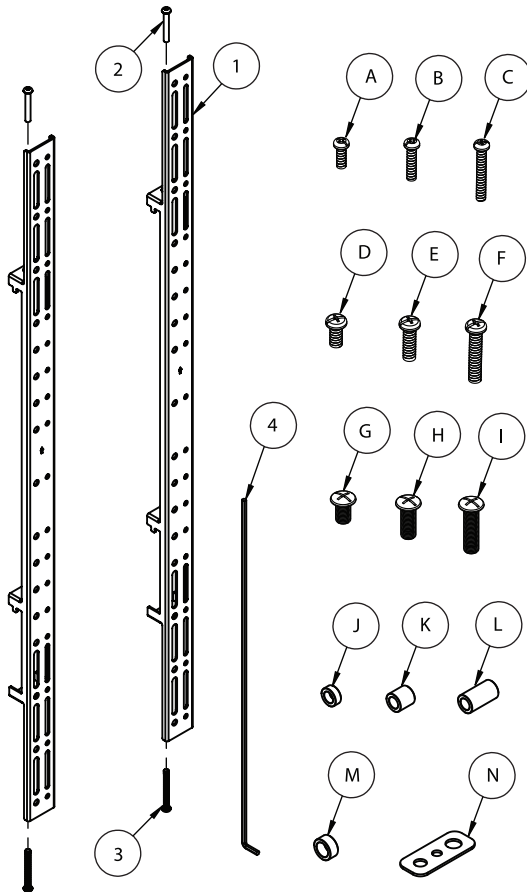
In the event of missing and/or defective parts, or technical questions, please contact an authorised dealer.

Pay careful attention to where this product is located, some locations are not suitable for installation. For indoor use only.

It is recommended that periodic inspections of the product are made as frequently as possible to ensure that safety is maintained.

*Please keep these instructions for future reference.*

## PARTS LIST



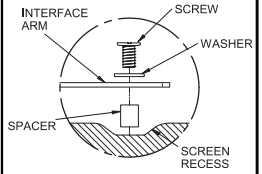
ITEM	DESCRIPTION	QTY
1	INTERFACE ARM	2
2	M8 x 55mm HEX SCREW	4
3	M8 x 70mm HEX SCREW	4
4	5AF x L550mm HEX KEY	1
<b>SCREEN FIXING KIT</b>		
A	M6 x 16mm CROSS SCREW	4
B	M6 x 25mm CROSS SCREW	4
C	M6 x 40mm CROSS SCREW	4
D	M8 x 16mm CROSS SCREW	4
E	M8 x 25mm CROSS SCREW	4
F	M8 x 40mm CROSS SCREW	4
G	M10 x 16mm CROSS SCREW	4
H	M10 x 25mm CROSS SCREW	4
I	M10 x 40mm CROSS SCREW	4
J	ID8.1 T5mm SPACER	4
K	ID8.1 T13mm SPACER	4
L	ID8.1 T24mm SPACER	4
M	ID10.3 T7mm SPACER	4
N	MULTIWASHER	4

Designed to work in conjunction with B-Tech's System X range

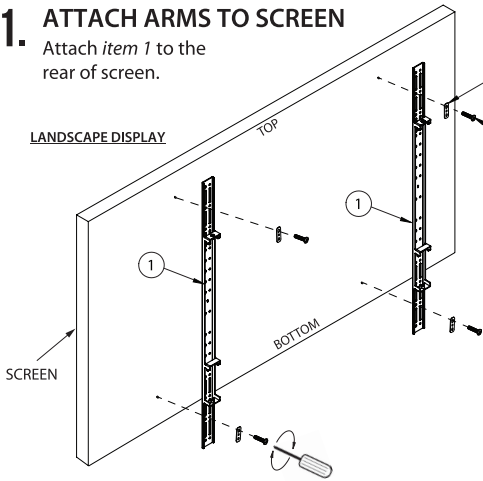
# 1. ATTACH ARMS TO SCREEN

Attach *item 1* to the rear of screen.

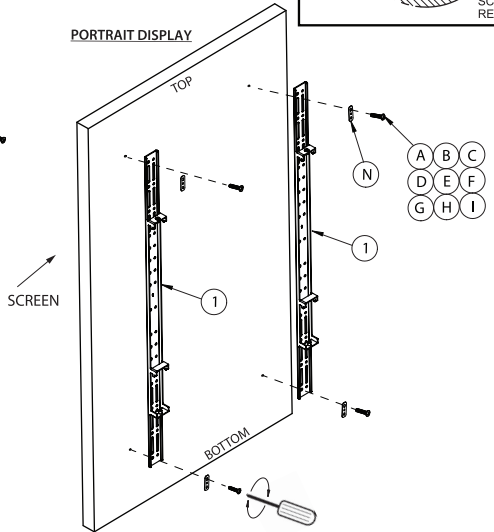
USE SPACERS FOR SCREENS WITH RECESSED FIXINGS



LANDSCAPE DISPLAY



PORTRAIT DISPLAY



90"+

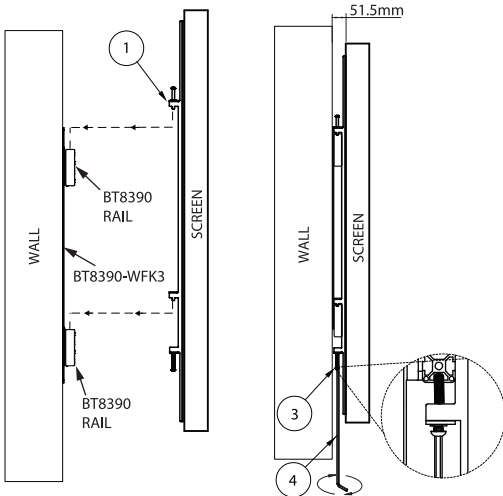
Suitable for screens over 90" when mounting in a landscape display.  
Min. height of screen when mounting in landscape: 1260mm

55"+

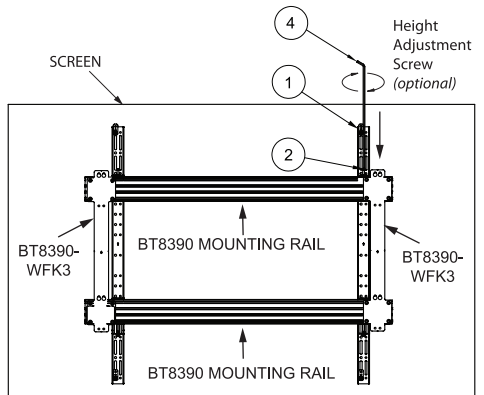
Suitable for screens over 55" when mounting in a portrait display.  
Max. height of screen when mounting in portrait: 1780mm

# 2. HOOK SCREEN ONTO RAILS

Hook the screen onto BT8390 mounting rails and tighten *item 3* on the bottom of *item 1* to secure screen to rail. If required, adjust *item 2* for screen height alignment.



REAR VIEW



Note: Height adjustment function may be affected if weight of screen is over 50kg



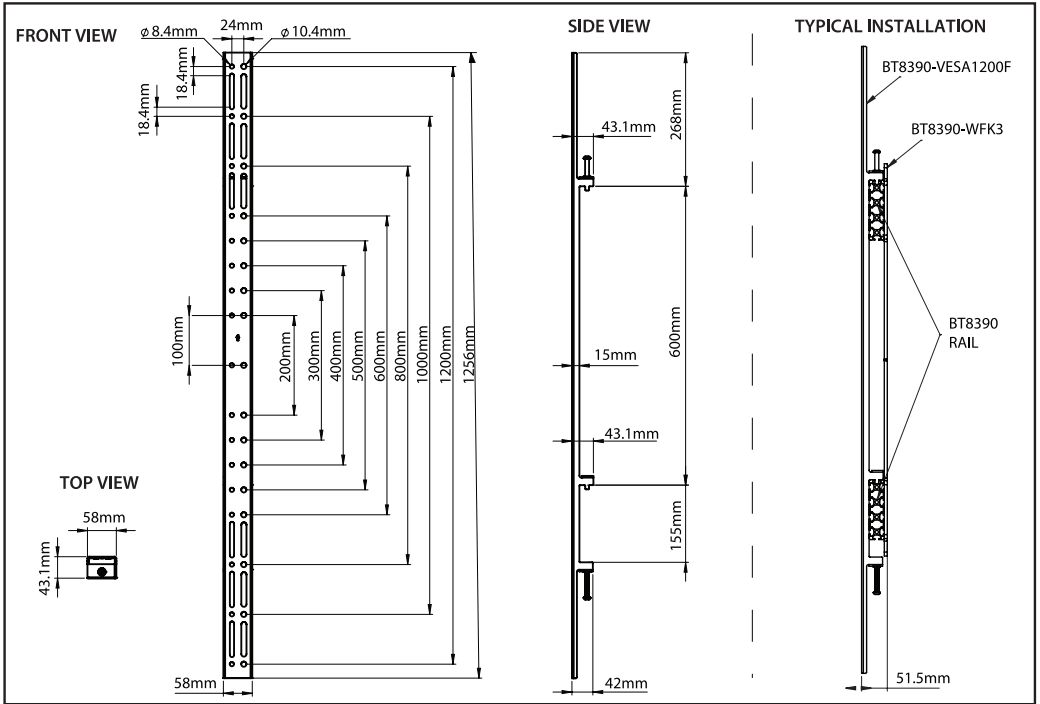
B-TECH AV MOUNTS®

# BT8390-VESA 1200F

## UNIVERSAL INTERFACE ARMS FOR XXL SCREENS



# PRODUCT DIMENSIONS



**CONTACT:**  
[info@btechavmounts.com](mailto:info@btechavmounts.com)

©2021 B-Tech International Design & Manufacturing Ltd. All rights reserved.  
 B-Tech AV Mounts is a division of B-Tech International Design & Manufacturing Ltd.  
 B-Tech AV Mounts and the B-Tech logo are registered trade marks.  
 All other brands and product names are trademarks of their respective owners.  
 Photographs are for illustrative purposes only. E&OE.

AMA-BT8390-VESA1200F-V2-0121-45 MADE IN VIETNAM

